

21. Remove bolts (42) and cover (43) .

---

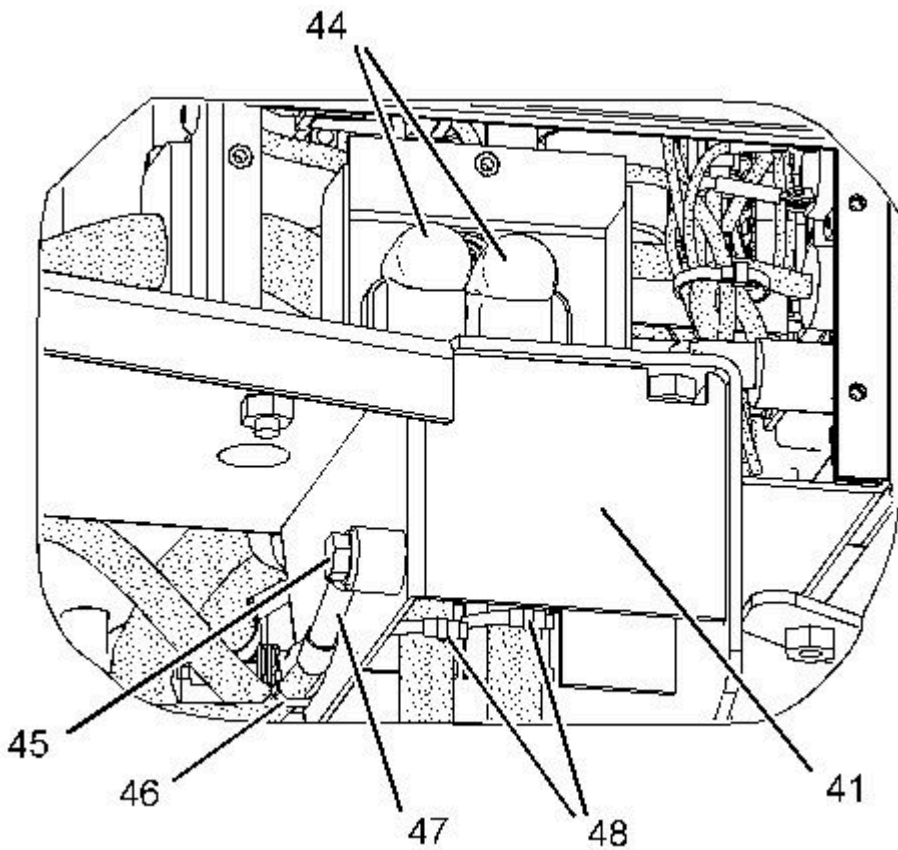


Illustration 21

g01119615

22. Disconnect bolt (45) and cable assemblies (44). Remove cable straps (48). Position cable assemblies (44) out of the way.

23. Remove cable strap (46) in order to disconnect cable assembly (47) from platform (41) .

---