

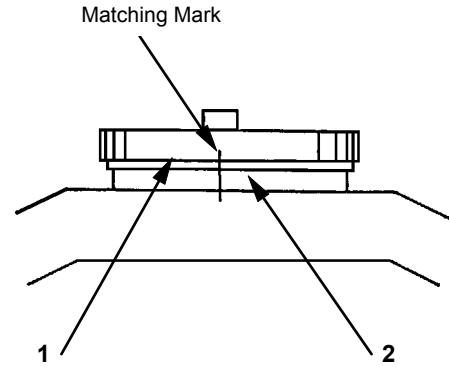
UNDERCARRIAGE / Swing Bearing

REMOVE AND INSTALL SWING BEARING

The procedures described below starts after removing the upper structure.


Removal

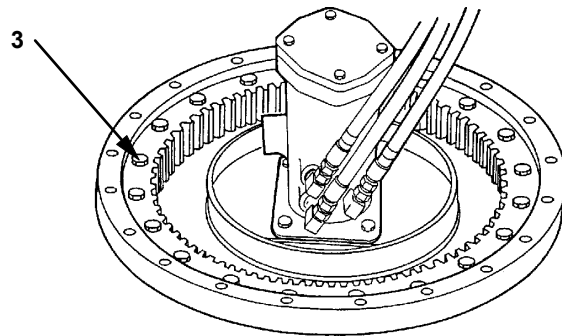
1. Put matching marks on inner race (1) of the swing bearing and track frame (2).




W105-03-01-001

2. Remove mounting bolts (3) (20 used) of the swing bearing inner race.

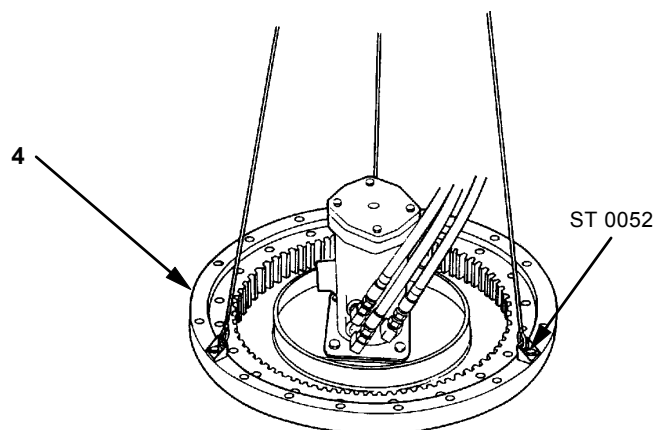
 : 19 mm



W507-02-03-002

 **CAUTION: Swing bearing weight: 55 kg (121 lb)**

3. Attach lifting tools (ST 0052) to swing bearing (4) outer race, lift swing bearing (4) by crane and remove it.



W507-03-01-001