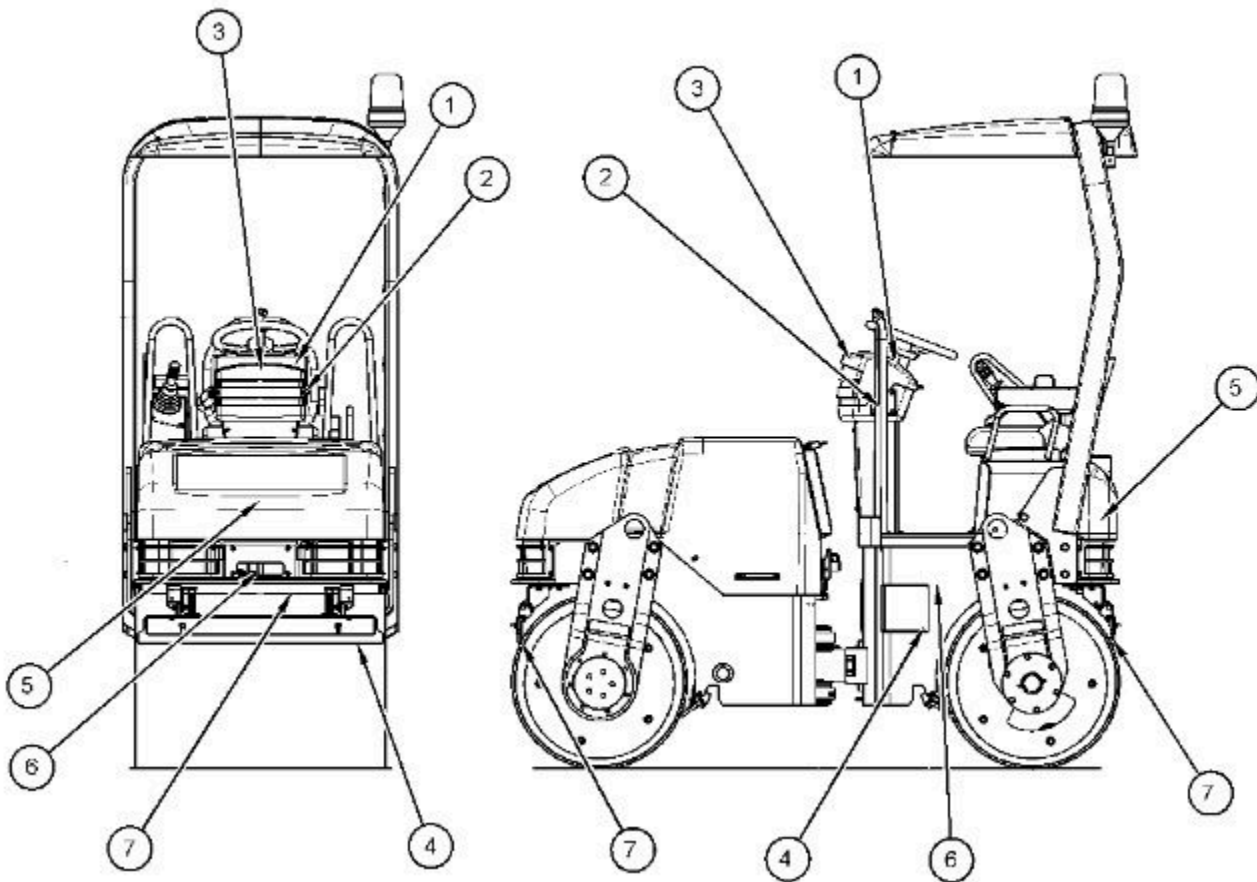


spray system. A brief discussion of each component is provided in these segments.

The last section explains the operation of the electrical system. An electrical schematic is used in this segment to trace current through the electrical system.

## Components

---



---

Illustration 2

g01063138

- (1) Switch for water spray and the switch for emulsion spray (if equipped)
  - (2) Fuses
  - (3) Relay for the spray system and timer
  - (4) Motor for the water spray and pump group
  - (5) Water tank
  - (6) Emulsion tank (if equipped)
  - (7) Spray bars
-