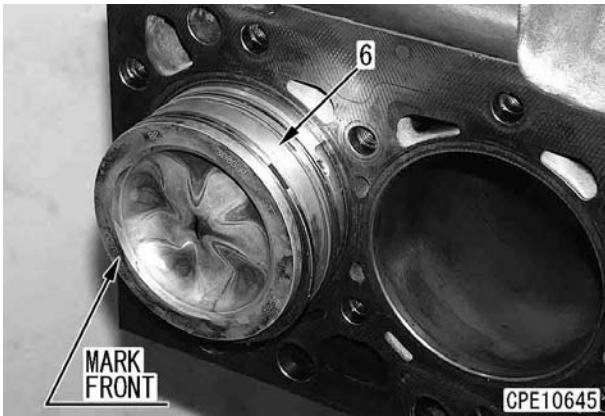
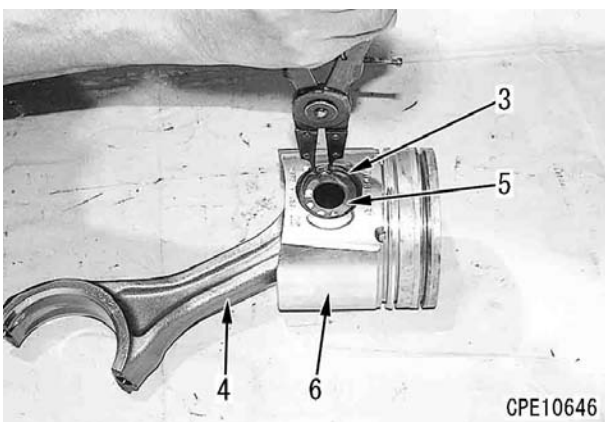


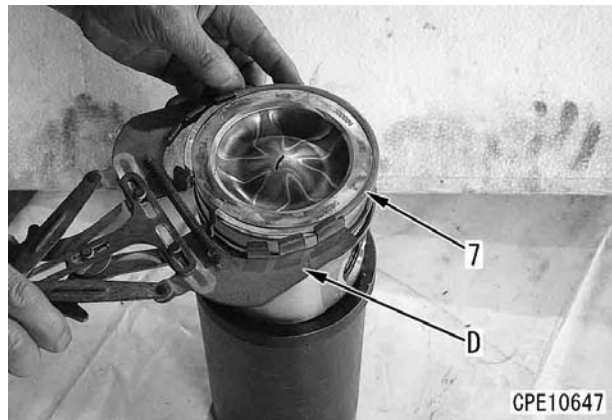
- 6) Push in and remove the piston and connecting rod assembly with a wood bar, etc. from the oil pan side, while supporting piston (6) on the cylinder head side.
  - ★ Take care in the removal so that inner surface of the cylinder liner may not be damaged by corners of the connecting rod.
  - ★ Make a cylinder No. mark on the piston.



- 7) Remove the other piston and connecting rod assemblies according to the above procedure.
  - ★ Take care not to damage the sliding portions of the pistons and bearings.
- Disassemble the piston and connecting rod assembly according to the following procedure.
  - 1) Remove snap ring (3).
  - 2) Separate piston (6) from connecting rod by pulling out piston pin (5) while supporting connecting rod (4) with hand.
  - 3) Remove the snap ring on the opposite side.

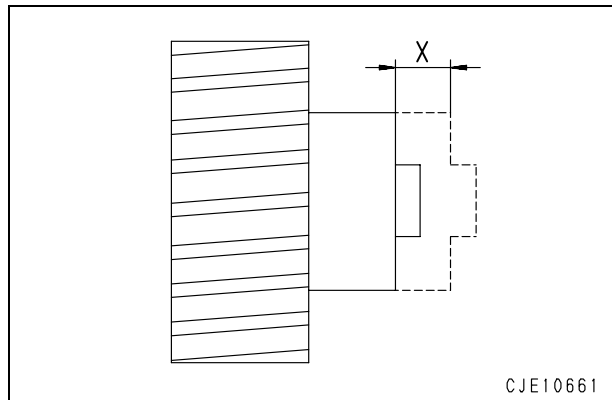


- 4] Using tool **D**, remove piston ring (7).
  - ★ Keep the piston, connecting rod, connecting rod bearing, piston rings, and piston pin by cylinder.



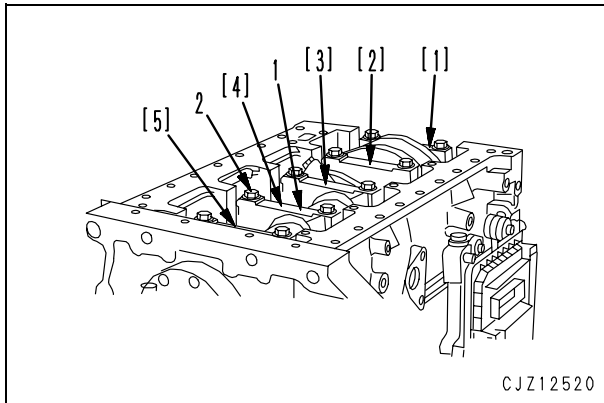
### 34. Crankshaft

- ★ Before removing the crankshaft, measure its end play **X** with dial gauge.

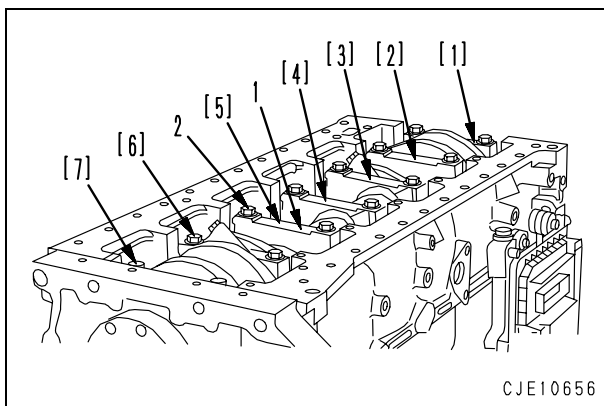


- 1) Remove mounting bolts (2) of main cap (1).
- 2) Insert the bolts in the bolt holes of main cap (1) and remove the cap, while shaking it.
  - ★ Installation position numbers are marked on the main cap. No. 1 starts from the front side of the cylinder block.

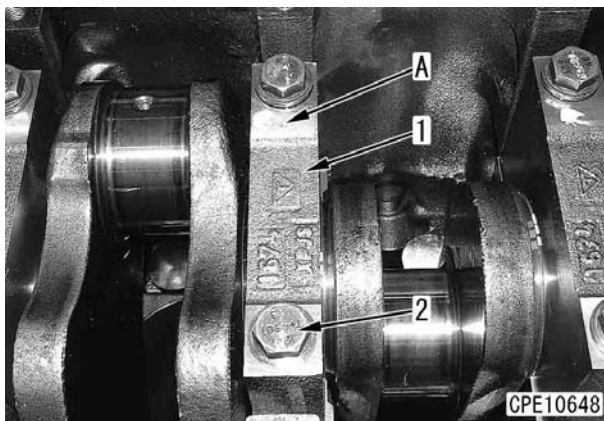
<4D107E-1>



<6D107E-1>

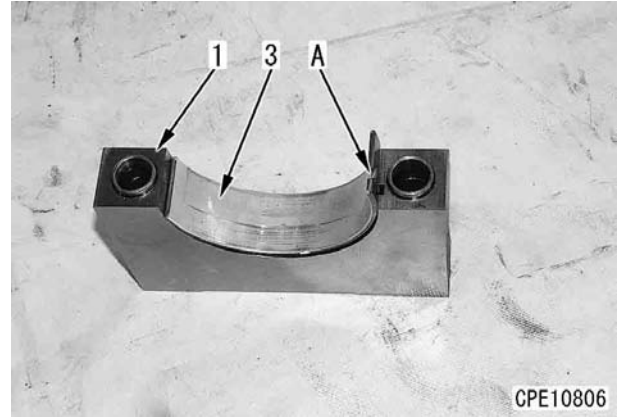


- ★ Check that the position No. of the main cap (stamped at part A) is directed toward the oil cooler.




- 3) Remove bottom lower bearing (3) from main cap (1).

- ★ Mark the installation position number on claw (A) of the removed bearing. (Don't apply the number on the sliding surface of the bearing.)

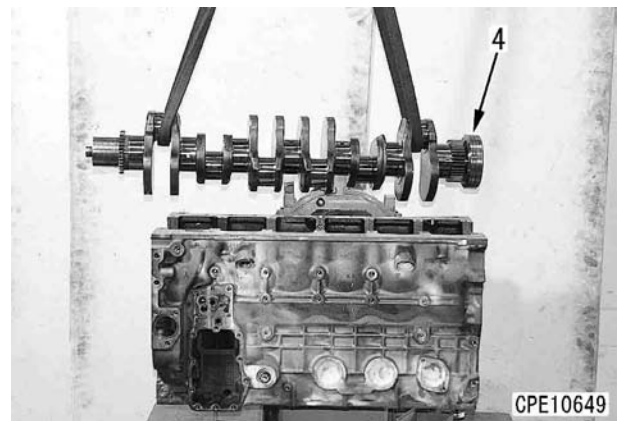


- 4) Lift off crankshaft (4) using the nylon sling.

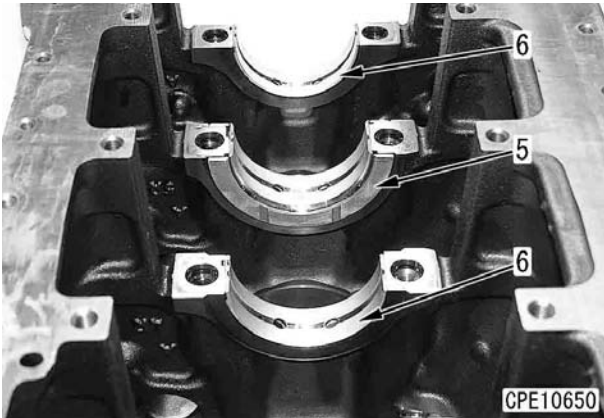
- ★ When lifting and removing the crankshaft, take care not to damage it by bumping against the cylinder block.
- ★ Keep the crankshaft in a safe place so that its sliding portions will not be damaged.

 Crankshaft: **45 kg (4D107E-1)**

 Crankshaft: **60 kg (6D107E-1)**



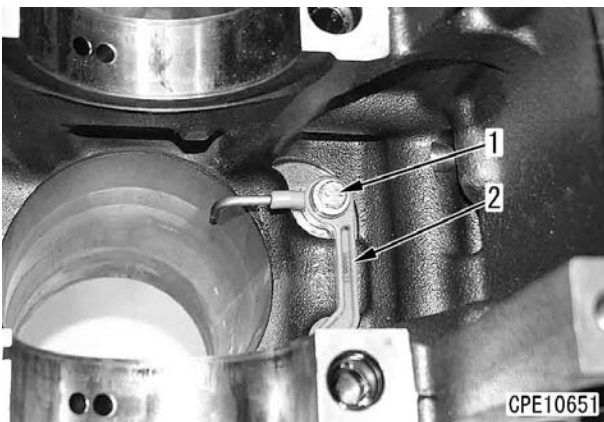
- 5) Remove upper thrust bearing (5) and upper bearings (6).



Mark the assembly position on the main cap, upper bearing and upper thrust bearing (in the claw of the bearing). It is advised to maintain the bearings of a main cap separately from that for another main cap. And take care not to damage these parts.

**35. Piston cooling nozzle**

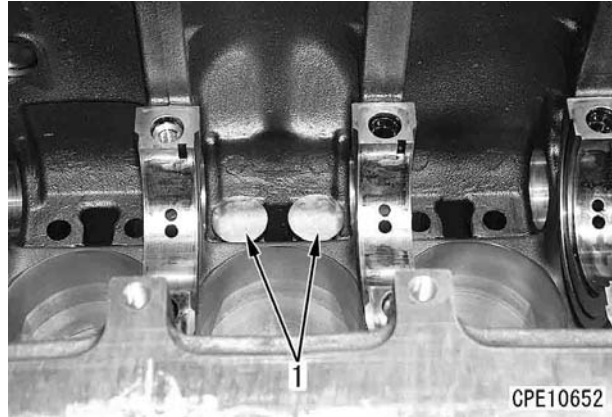
Remove bolt (1) and then remove piston cooling nozzles (2).



**36. Tappet**



Remove tappets (1) and then mark the installation position on them.

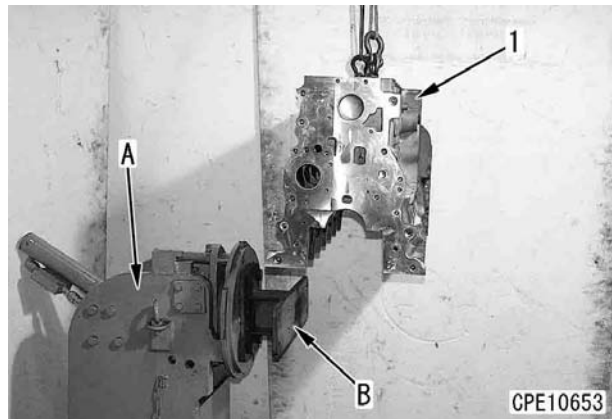
- ★ When reusing the camshafts and tappets, be sure to install them in the original position.



**37. Cylinder block**

Remove cylinder block (1) from tool A.

-  Cylinder block: 100 kg (4D107E-1)
-  Cylinder block: 140 kg (6D107E-1)



KOMATSU 107E-1 Series Diesel engine

---

Form No. SEN00258-01

© 2006 KOMATSU  
All Rights Reserved  
Printed in Japan 12-06 (01)

---