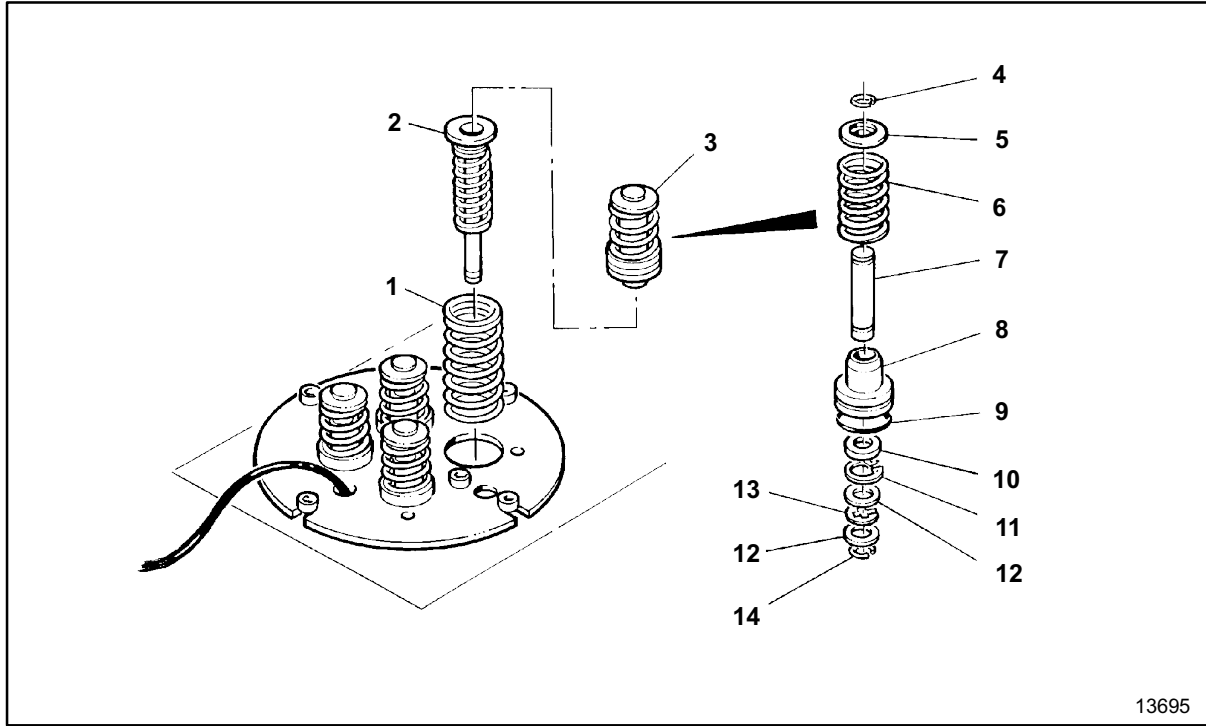


## 4. Joystick Servicing



1. Return Spring
2. Spring Cartridge\*
3. Push Pin Assembly
4. Wire Clip
5. Washer
6. Spring
7. Pin

8. Sleeve
9. O-Ring
10. Seal
11. Retaining Ring
12. Spacer
13. Retaining Ring
14. Retaining Ring