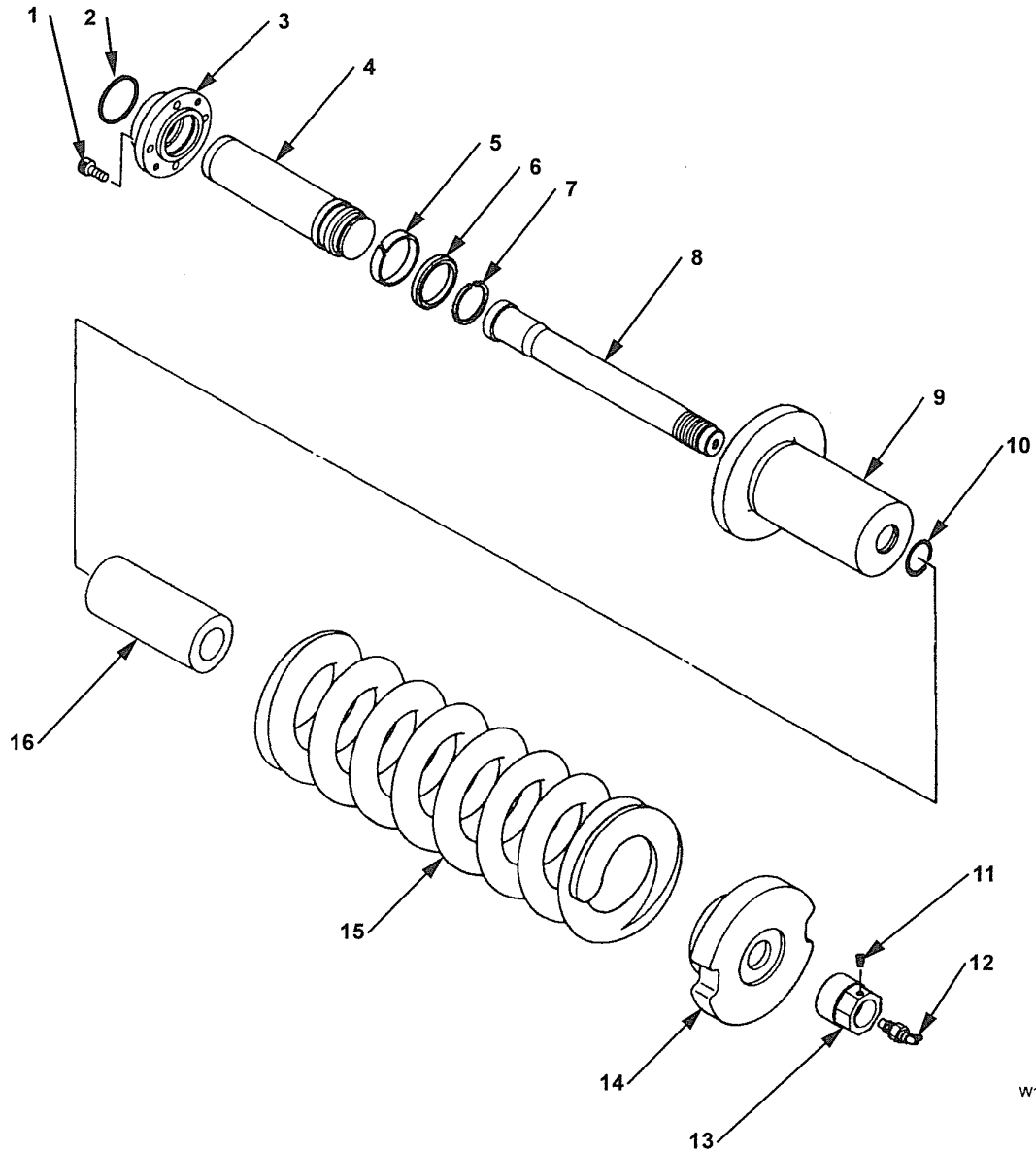


UNDERCARRIAGE / Track Adjuster

DISASSEMBLE TRACK ADJUSTER (EX370-5)



W166-03-04-003

1 - Socket Bolt (4 Used)
2 - O-Ring
3 - Guide
4 - Piston Rod

5 - Wear Ring
6 - U-Ring
7 - Retaining Ring
8 - Rod

9 - Cylinder
10 - O-Ring
11 - Bolt
12 - Valve

13 - Nut
14 - Bracket
15 - Spring
16 - Spacer