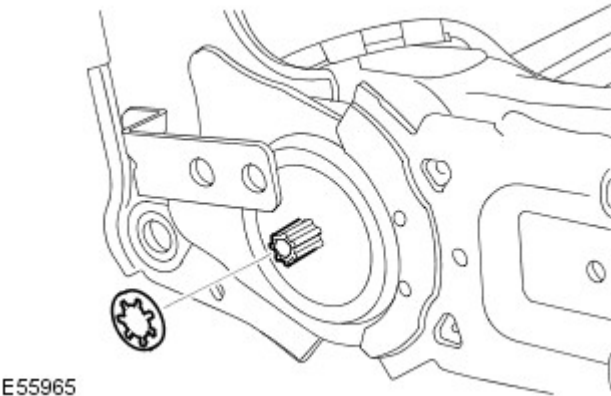
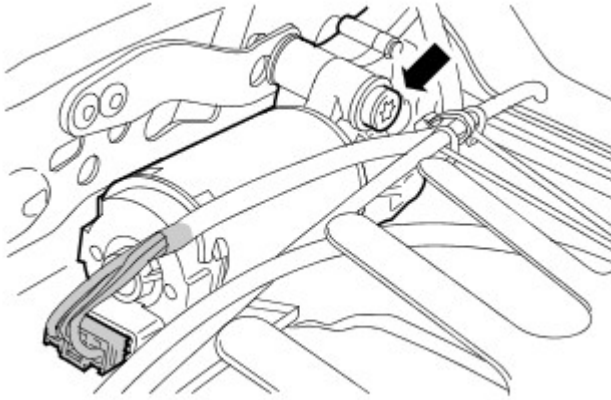


Seating - Front Seat Recliner Motor

Removal and Installation

Removal

1. Remove the front seat backrest cover.
For additional information, refer to: [Front Seat Backrest Cover](#) (501-10 Seating, Removal and Installation).
2. Remove the front seat backrest pad.
3. Remove the front seat recliner motor.
 - Disconnect the electrical connector.
 - Remove the Torx bolt.
 - Remove the front seat backrest shaft clip.
 - Remove the front seat backrest shaft.



E55965

Installation

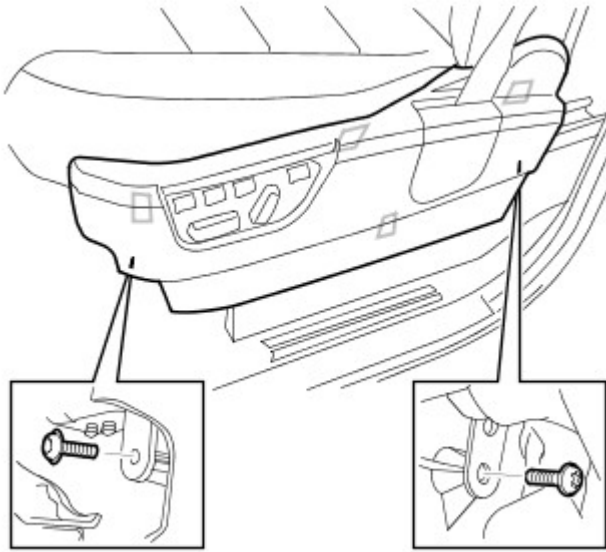
1. Install the front seat recliner motor.
 - Install the front seat backrest shaft.
 - Install the front seat backrest shaft clip.
 - Tighten the Torx bolt to 10 Nm (7 lb.ft).
 - Connect the electrical connector.
2. Install the front seat backrest pad.
3. Install the front seat backrest cover.
For additional information, refer to: [Front Seat Backrest Cover](#) (501-10 Seating, Removal and Installation).

Seating - Front Seat Control Switch

Removal and Installation

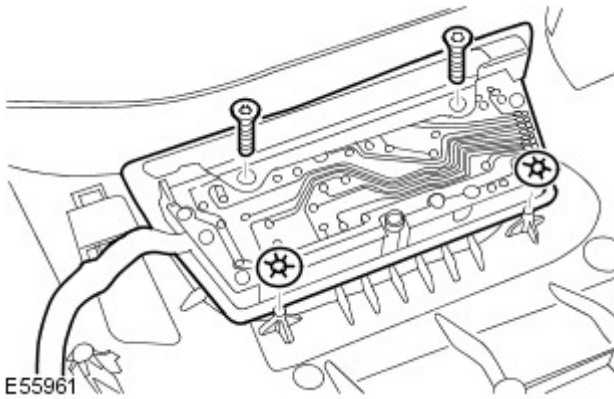
Removal

1. Remove the front seat cushion side finisher.
 - Remove the 2 screws.
 - Release from the 3 clips.



E55954

2. Remove the front seat control switch.
 - Disconnect the electrical connector.
 - Release the front seat control switch harness.
 - Remove the 2 screws.
 - Remove the 2 clips.



E55961

Installation

1. Install the front seat cushion side finisher.
 - Secure in the clips.
 - Tighten the screws.
2. Install the front seat control switch.
 - Secure in the clips.
 - Tighten the screws.
 - Connect the electrical connector.
 - Attach the wiring harness.

Seating - Front Seat Backrest Cover

Removal and Installation

Removal

WARNINGS:



To avoid accidental deployment, the restraints control module backup power supply must be depleted. Wait at least one minute after disconnecting the battery ground cable(s) before commencing any repair or adjustment to the supplemental restraint system (SRS), or any component(s) adjacent to the SRS sensors. Failure to follow these instructions may result in personal injury.



Always wear safety glasses when working on an air bag equipped vehicle and when handling an air bag module. Failure to follow this instruction may result in personal injury.



To minimize the possibility of premature deployment, do not use radio key code savers when working on the supplemental restraint system. Failure to follow this instruction may result in personal injury.



To minimize the possibility of injury in the event of premature deployment, always carry a live air bag module with the bag and trim cover pointed away from the body. Failure to follow this instruction may result in personal injury.



To minimize the possibility of premature deployment, live air bag modules must only be placed on work benches which have been ground bonded and with the trim cover facing up. Failure to follow these instructions may result in personal injury.



Never probe the electrical connectors of air bag modules or any other supplemental restraint system component. Failure to follow this instruction may result in personal injury.



Painting over the driver air bag module trim cover or instrument panel could lead to deterioration of the trim cover and air bags. Do not for any reason attempt to paint discolored or damaged air bag module trim covers or instrument panel. Install a new component. Failure to follow this instruction may result in personal injury.



Make sure that sufficient time has elapsed after disconnecting the battery ground cable(s), before commencing work on the supplemental restraint system (SRS). Failure to follow these instructions may result in personal injury.

1. Make the SRS system safe.
For additional information, refer to: [Standard Workshop Practices](#) (100-00 General Information, Description and Operation).
2. Remove the front safety belt buckle.
For additional information, refer to: [Front Safety Belt Buckle](#) (501-20A Safety Belt System, Removal and Installation).
3. Remove the front seat cushion side trim.
 - Remove the 2 screws.
 - Release from the 3 clips.