

Fig. 70: Right Fan Shroud To Radiator Mounting Bolt
Courtesy of CHRYSLER GROUP, LLC

3. Install the right fan shroud to radiator mounting bolt (1) and tighten to 10 N.m (89 in. lbs.).

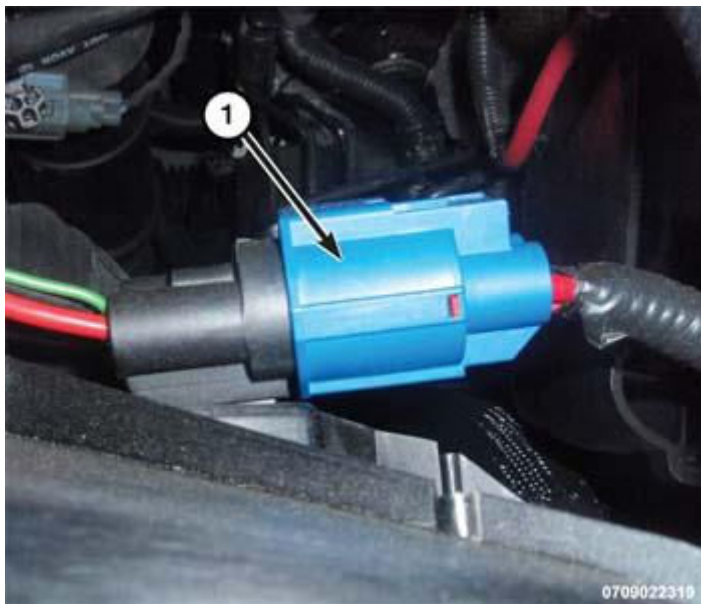


Fig. 71: Electric Cooling Fan Wire Harness Connector
Courtesy of CHRYSLER GROUP, LLC

4. Connect the electric cooling fan (3) wire harness connector (1).

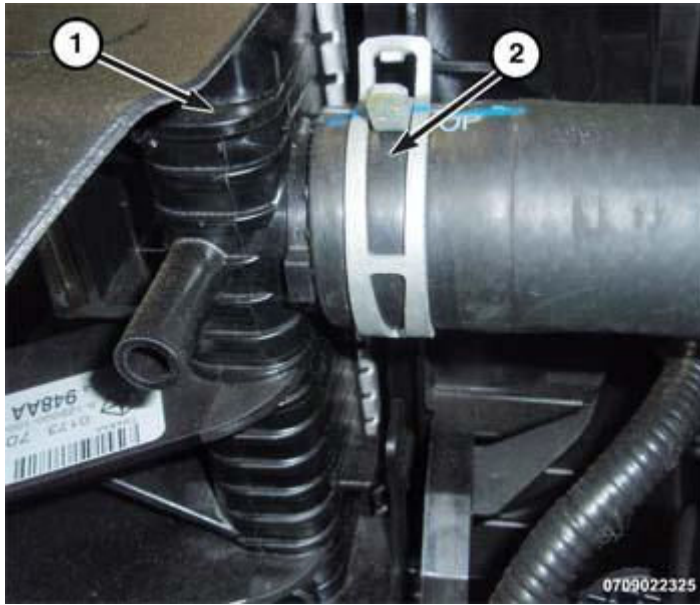
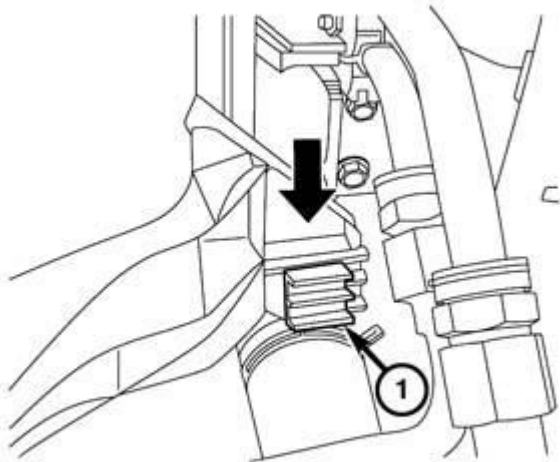


Fig. 72: Radiator & Upper Radiator Hose
Courtesy of CHRYSLER GROUP, LLC

5. Connect the upper radiator hose (2) to radiator (1).
6. Install the pressurized coolant bottle. Refer to **BOTTLE, PRESSURIZED COOLANT, INSTALLATION.**
7. Connect the negative battery cable.

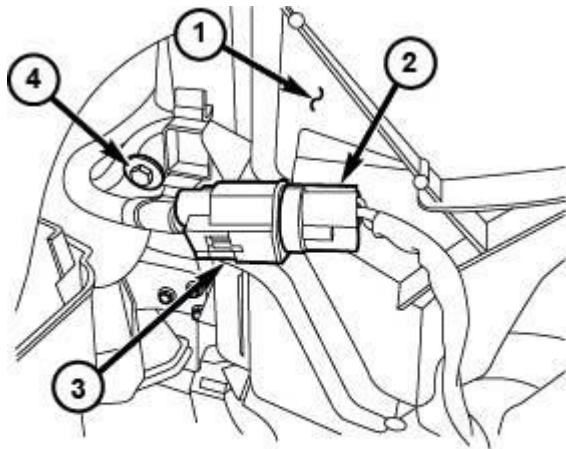
3.6L



070874107

Fig. 73: Installing Cooling Fan Shroud
Courtesy of CHRYSLER GROUP, LLC

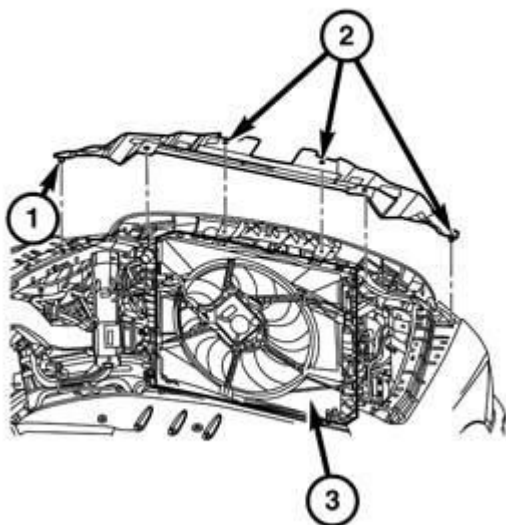
1. Install the cooling fan shroud into the lower tabs (1) located on the radiator.



070972913

Fig. 74: Disconnecting/Connecting Radiator Fan Electrical Connector
Courtesy of CHRYSLER GROUP, LLC

2. Install the fan shroud mounting bolts (4). Tighten to 10 N.m (89 in. lbs.).
3. Connect the electric cooling fan (3) electrical connector.

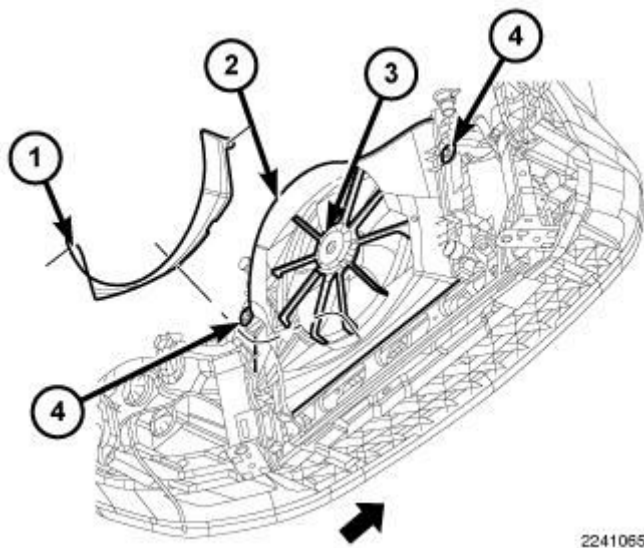


070873198

Fig. 75: Removing/Installing Electric Cooling Fan
 Courtesy of CHRYSLER GROUP, LLC

4. Position the upper radiator seal (1).
5. Install the upper radiator seal plastic rivets (2).
6. Install the upper radiator push pins.
7. Connect the negative battery cable.

4.7L/5.7L



2241065

Fig. 76: Fan Shroud
 Courtesy of CHRYSLER GROUP, LLC

1. If removed, install the electric cooling fan resistor. Tighten the mounting screw securely.
2. If removed, install the lower fan shroud (1) to the upper fan shroud (2).
3. Position the viscous fan (if equipped), radiator fan shroud (1, 2) and electric cooling fan (3) into the vehicle as an assembly.
4. Install the electric cooling fan (3) by engaging the electric cooling fan's (3) upper and lower retaining clips to the radiator.
5. Install the fan shroud (1, 2) by engaging the fan shroud's (1, 2) lower retaining clips to the radiator/electric cooling fan (3).

NOTE: Make sure all retaining clips lock into place.

6. Install the fan shroud (1, 2) mounting bolts (4). Tighten to 10 N.m (89 in. lbs.).
7. Connect the electric cooling fan (3) electrical connector.