

2008 Scion xD

2008 TRANSMISSION C50 Manual Transaxle - xD

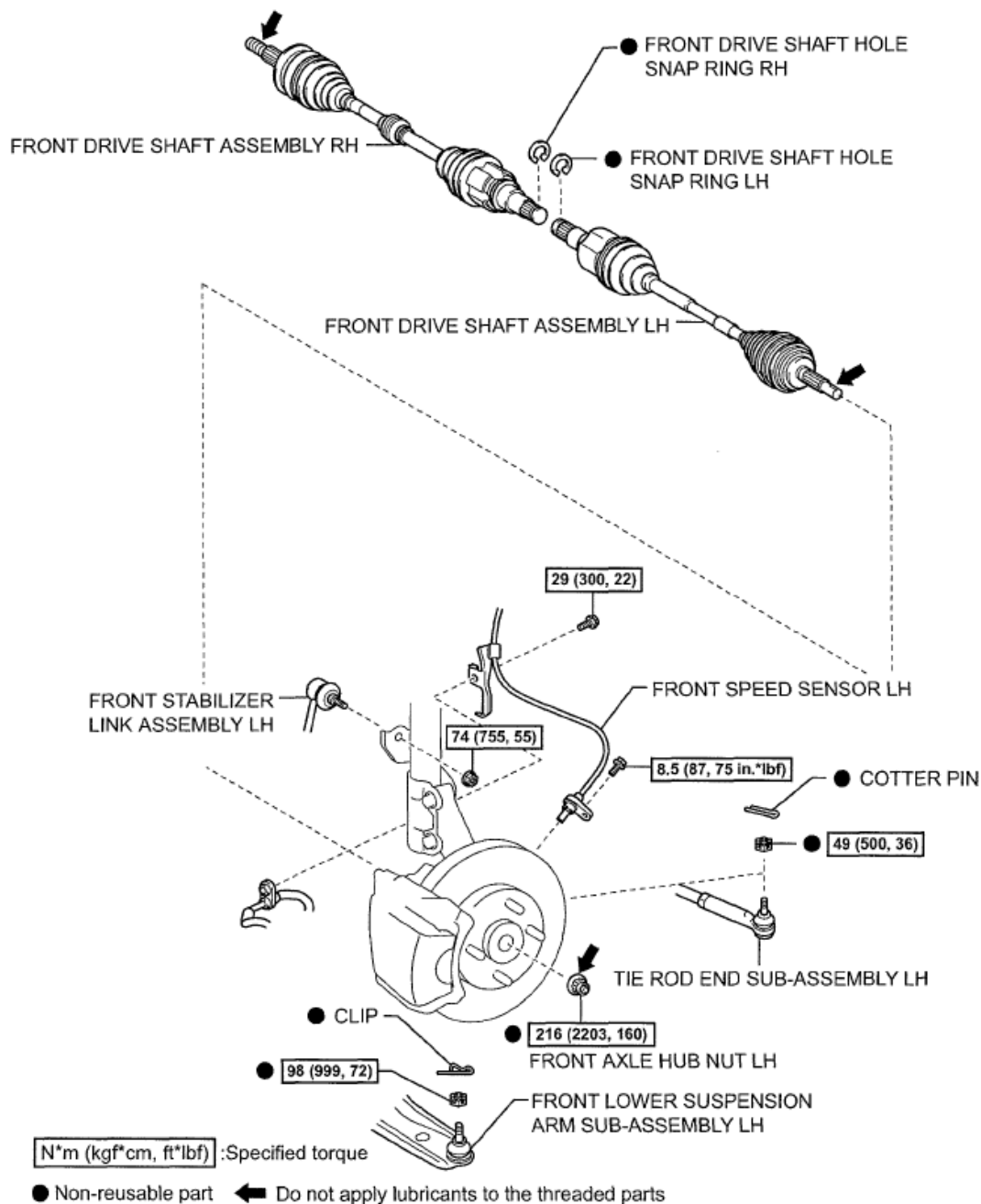
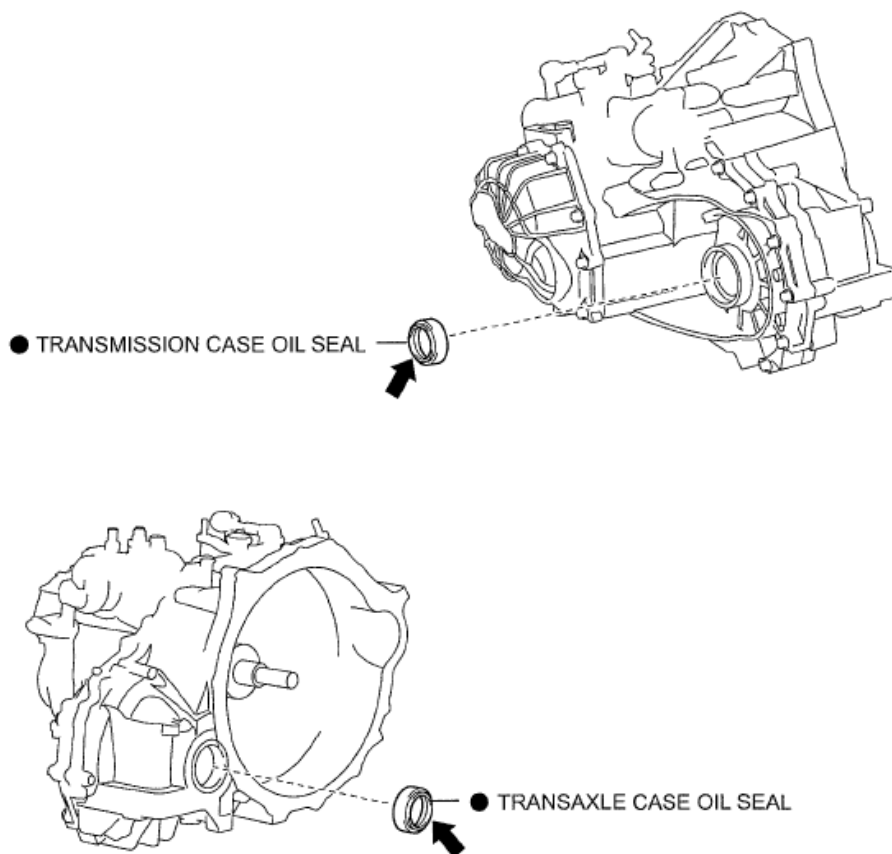


Fig. 2: Identifying Differential Oil Seal Components With Torque Specifications (1 Of 2)
 Courtesy of TOYOTA MOTOR SALES, U.S.A., INC.



● Non-reusable part

← MP grease

Y

C108463E05

Fig. 3: Identifying Differential Oil Seal Components (2 Of 2)
Courtesy of TOYOTA MOTOR SALES, U.S.A., INC.

REMOVAL

1. DRAIN TRANSAXLE OIL

- a. Remove the filler plug and the gasket.
- b. Remove the drain plug and gasket, and then drain the manual transaxle oil.
- c. Install a new gasket and the drain plug.

Torque: 39 N*m (400 kgf*cm, 29 ft.*lbf)

2. REMOVE FRONT WHEELS

3. **REMOVE FRONT AXLE HUB NUT LH** (See REMOVAL)

4. **REMOVE FRONT AXLE HUB NUT RH**

HINT:

The removal procedure for the RH side is the same as that for the LH side.

5. **SEPARATE FRONT SPEED SENSOR LH** (See REMOVAL)

6. **SEPARATE FRONT SPEED SENSOR RH**

HINT:

The separation procedure for the RH side is the same as that for the LH side.

7. **SEPARATE FRONT LOWER SUSPENSION ARM SUB-ASSEMBLY LH** (See REMOVAL)

8. **SEPARATE FRONT LOWER SUSPENSION ARM SUB-ASSEMBLY RH**

HINT:

The separation procedure for the RH side is the same as that for the LH side.

9. **SEPARATE TIE ROD END SUB-ASSEMBLY LH** (See REMOVAL)

10. **SEPARATE TIE ROD END SUB-ASSEMBLY RH**

HINT:

The separation procedure for the RH side is the same as that for the LH side.

11. **SEPARATE FRONT STABILIZER LINK ASSEMBLY LH** (See REMOVAL)

12. **SEPARATE FRONT STABILIZER LINK ASSEMBLY RH**

HINT:

The separation procedure for the RH side is the same as that for the LH side.

13. **SEPARATE FRONT AXLE ASSEMBLY LH** (See REMOVAL)

14. **SEPARATE FRONT AXLE ASSEMBLY RH**

HINT:

The separation procedure for the RH side is the same as that for the LH side.

15. **REMOVE FRONT DRIVE SHAFT ASSEMBLY LH** (See DISASSEMBLY)

16. **REMOVE FRONT DRIVE SHAFT ASSEMBLY RH** (See DISASSEMBLY)

17. REMOVE TRANSAXLE CASE OIL SEAL

- a. Using SST, remove the oil seal.

SST 09308-00010

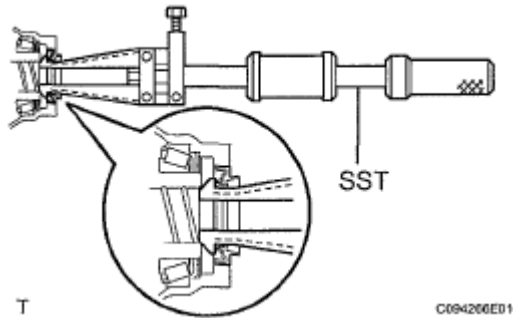


Fig. 4: Removing Oil Seal With SST

Courtesy of TOYOTA MOTOR SALES, U.S.A., INC.

18. REMOVE TRANSMISSION CASE OIL SEAL

- a. Using SST, remove the oil seal.

SST 09308-00010

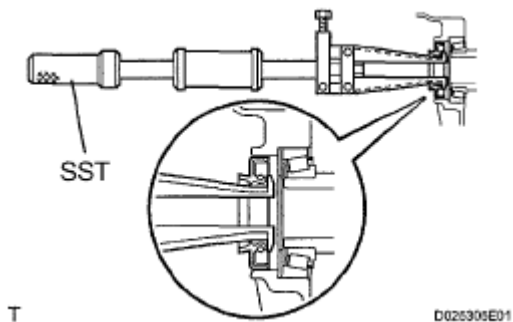


Fig. 5: Removing Oil Seal With SST

Courtesy of TOYOTA MOTOR SALES, U.S.A., INC.

INSTALLATION

1. INSTALL TRANSMISSION CASE OIL SEAL

- a. Coat the lip of a new oil seal with MP grease.
- b. Using SST and a hammer, install the new oil seal.

SST 09309-37010

Drive in depth:

9.6 to 10.2 mm (0.378 to 0.402 in.)

NOTE: Do not damage the oil seal lip.

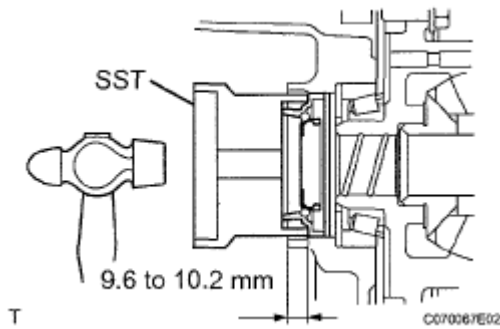


Fig. 6: Installing Transmission Case Oil Seal With SST
Courtesy of TOYOTA MOTOR SALES, U.S.A., INC.

2. INSTALL TRANSAXLE CASE OIL SEAL

- a. Coat the lip of a new oil seal with MP grease.
- b. Using SST and a hammer, install the new oil seal.

SST 09710-26011 (09710-05061)

Drive in depth:

1.6 to 2.2 mm (0.063 to 0.087 in.)

NOTE: Do not damage the oil seal lip.

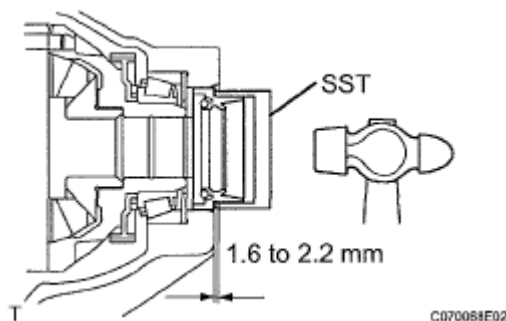


Fig. 7: Installing Transmission Case Oil Seal With SST
Courtesy of TOYOTA MOTOR SALES, U.S.A., INC.

3. **INSTALL FRONT DRIVE SHAFT ASSEMBLY LH** (See INSTALLATION)
4. **INSTALL FRONT DRIVE SHAFT ASSEMBLY RH** (See INSTALLATION)
5. **INSTALL FRONT AXLE ASSEMBLY LH** (See INSTALLATION)

6. INSTALL FRONT AXLE ASSEMBLY RH**HINT:**

The installation procedure for the RH side is the same as that for the LH side.

7. INSTALL FRONT STABILIZER LINK ASSEMBLY LH (See INSTALLATION)**8. INSTALL FRONT STABILIZER LINK ASSEMBLY RH****HINT:**

The installation procedure for the RH side is the same as that for the LH side.

9. INSTALL TIE ROD END SUB-ASSEMBLY LH (See INSTALLATION)**10. INSTALL TIE ROD END SUB-ASSEMBLY RH****HINT:**

The installation procedure for the RH side is the same as that for the LH side.

11. INSTALL FRONT LOWER SUSPENSION ARM SUB-ASSEMBLY LH (See INSTALLATION)**12. INSTALL FRONT LOWER SUSPENSION ARM SUB-ASSEMBLY RH****HINT:**

The installation procedure for the RH side is the same as that for the LH side.

13. INSTALL FRONT SPEED SENSOR LH (See INSTALLATION)**14. INSTALL FRONT SPEED SENSOR RH****HINT:**

The installation procedure for the RH side is the same as that for the LH side.

15. INSTALL FRONT AXLE HUB NUT LH (See INSTALLATION)**16. INSTALL FRONT AXLE HUB NUT RH****HINT:**

The installation procedure for the RH side is the same as that for the LH side.

17. INSTALL FRONT WHEELS**18. ADD TRANSAXLE OIL****19. INSPECT AND ADJUST TRANSAXLE OIL (See ON-VEHICLE INSPECTION)**

20. INSPECT ABS SPEED SENSOR SIGNAL

(See TEST MODE PROCEDURE)

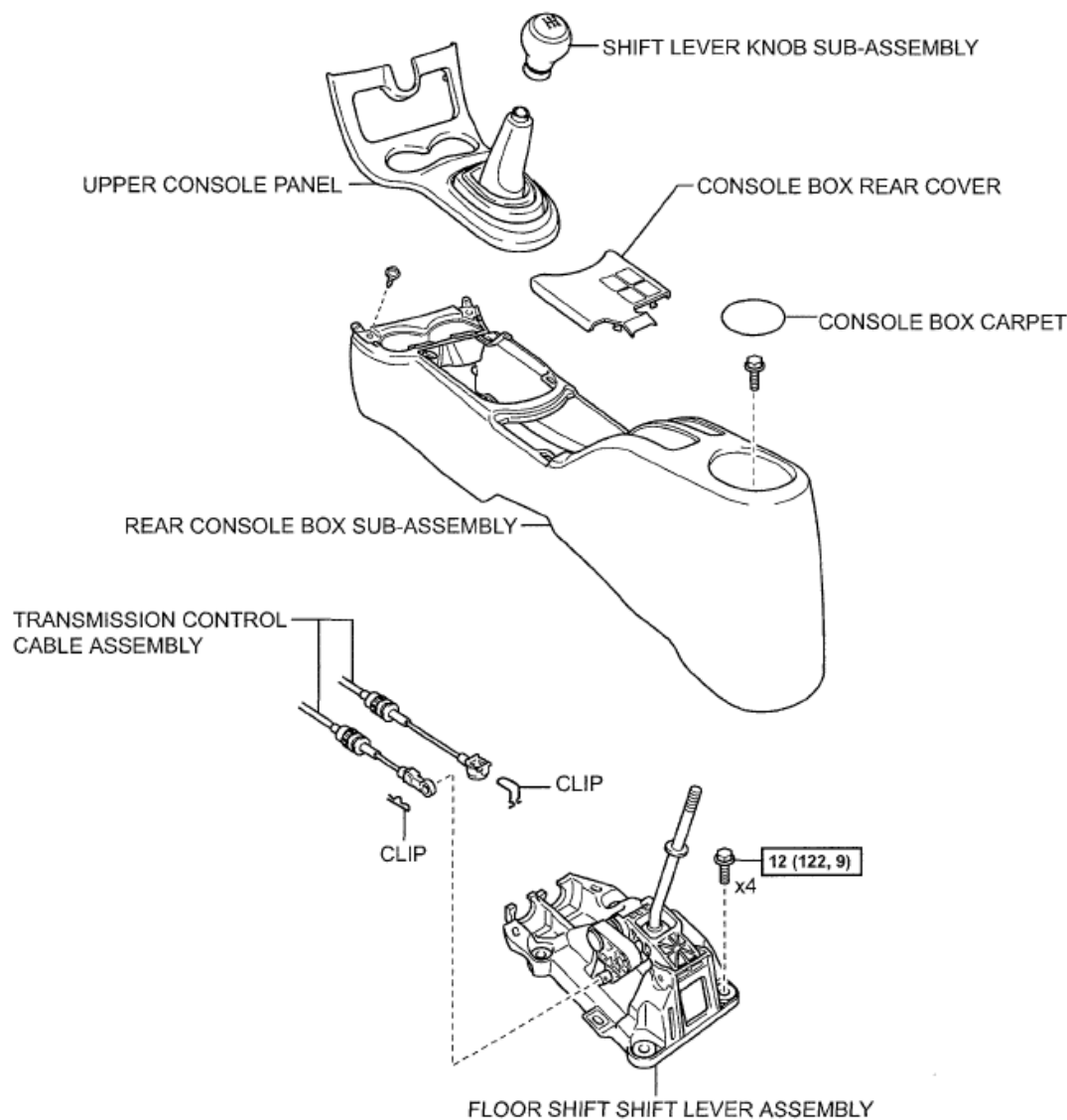
21. INSPECT AND ADJUST FRONT WHEEL ALIGNMENT

(See ADJUSTMENT)

22. INSPECT FOR TRANSAXLE OIL LEAK

SHIFT LEVER ASSEMBLY

COMPONENTS



$\boxed{\text{N}^*\text{m (kgf}^*\text{cm, ft}^*\text{lb)}} : \text{Specified torque}$

Y

C165399E01

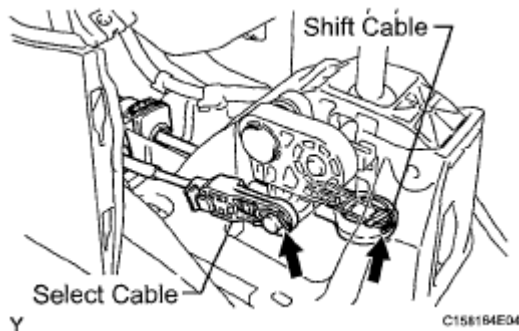
Fig. 8: Identifying Shift Lever Assembly Components With Torque Specification
 Courtesy of TOYOTA MOTOR SALES, U.S.A., INC.

REMOVAL

1. REMOVE SHIFT LEVER KNOB SUB-ASSEMBLY (See **REMOVAL**)
2. REMOVE UPPER CONSOLE PANEL (See **REMOVAL**)
3. REMOVE CONSOLE BOX REAR COVER (See **REMOVAL**)
4. REMOVE CONSOLE BOX CARPET (See **REMOVAL**)
5. REMOVE REAR CONSOLE BOX SUB-ASSEMBLY (See **REMOVAL**)

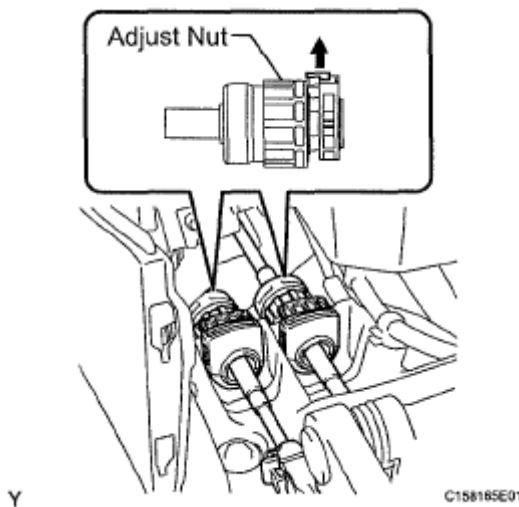
6. DISCONNECT TRANSMISSION CONTROL CABLE ASSEMBLY

- a. Remove the clip and disconnect the control select cable from the shift lever.

**Fig. 9: Locating Shift Cable And Select Cable**

Courtesy of TOYOTA MOTOR SALES, U.S.A., INC.

- b. Disconnect the control shift cable from the shift lever.
- c. Turn the adjust nut 180° clock wise. While holding the adjust nut, separate the control cable assembly.

**Fig. 10: Holding Adjust Nut**

Courtesy of TOYOTA MOTOR SALES, U.S.A., INC.

7. REMOVE FLOOR SHIFT LEVER ASSEMBLY

- a. Remove the 4 bolts and remove the shift lever.

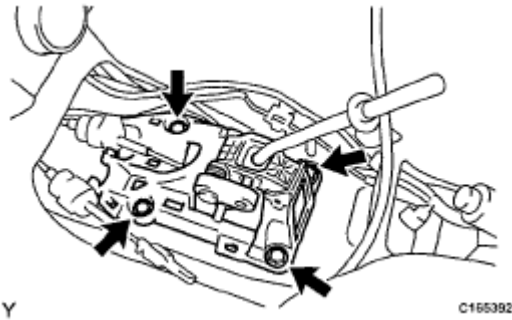


Fig. 11: Locating Shift Lever Bolts

Courtesy of TOYOTA MOTOR SALES, U.S.A., INC.

INSTALLATION

1. INSTALL FLOOR SHIFT SHIFT LEVER ASSEMBLY

- a. Install the shift lever with the 4 bolts.

Torque: 12 N*m (122 kgf*cm, 9 ft.*lbf)

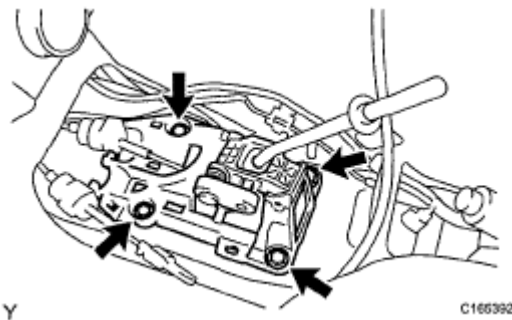


Fig. 12: Locating Shift Lever Bolts

Courtesy of TOYOTA MOTOR SALES, U.S.A., INC.

2. CONNECT TRANSMISSION CONTROL CABLE ASSEMBLY

- a. Install the control cable assembly onto the shift lever retainer.

NOTE:

- Install the cable with the protruding portion of the cable outer facing upward.
- After installing, check that the lock of the cable outer is protruding beyond portion A, as shown in the illustration.

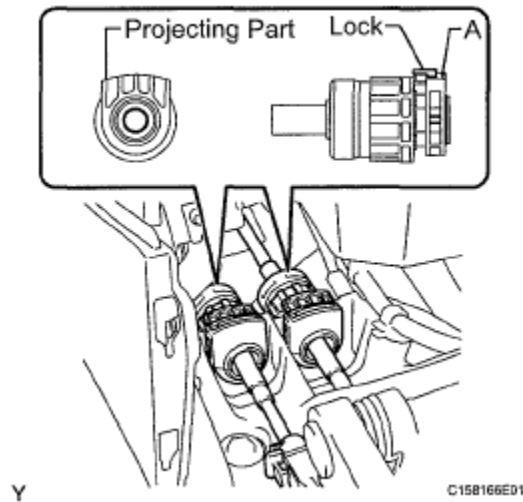


Fig. 13: Identifying Control Cable Assembly Onto Shift Lever Retainer
 Courtesy of TOYOTA MOTOR SALES, U.S.A., INC.

- b. Connect the control shift cable to the shift lever.
- c. Connect the control select cable to the shift lever with the clip.

NOTE:

- Connect the control select cable so that the adjusting mechanism lock of the control select cable is installed on the left side of the vehicle.
- Insert the clip in the direction shown in the illustration.

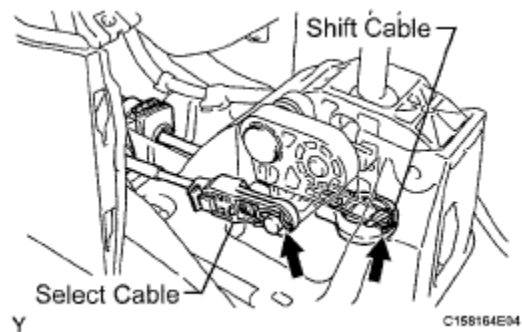


Fig. 14: Locating Shift Cable And Select Cable
 Courtesy of TOYOTA MOTOR SALES, U.S.A., INC.

- d. Adjust the length of the control select cable.
 1. Slide the adjuster case cover in the direction shown in the illustration (Illustration A).
 2. Gently pull the cable rod toward the rear of the vehicle by hand to pull the cable taut.
 3. Press the lock piece into the adjuster case and lock it (Illustration B).

4. Slide the cover in the direction shown in the illustration (Illustration C).

NOTE: Slide the cover past the protrusion of the lock piece (Illustration D).

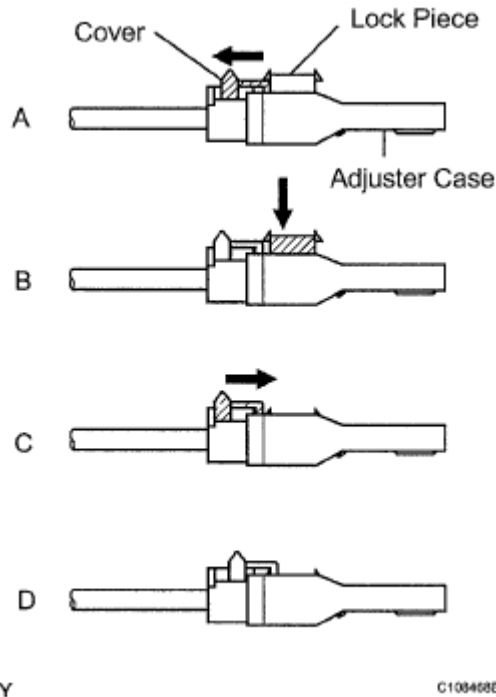


Fig. 15: Sliding Adjuster Case Cover
Courtesy of TOYOTA MOTOR SALES, U.S.A., INC.

3. **INSTALL REAR CONSOLE BOX SUB-ASSEMBLY** (See INSTALLATION)
4. **INSTALL CONSOLE BOX CARPET** (See INSTALLATION)
5. **INSTALL CONSOLE BOX REAR COVER** (See INSTALLATION)
6. **INSTALL UPPER CONSOLE PANEL** (See INSTALLATION)
7. **INSTALL SHIFT LEVER KNOB SUB-ASSEMBLY** (See INSTALLATION)

TRANSMISSION CONTROL CABLE

COMPONENTS

2008 Scion xD

2008 TRANSMISSION C50 Manual Transaxle - xD

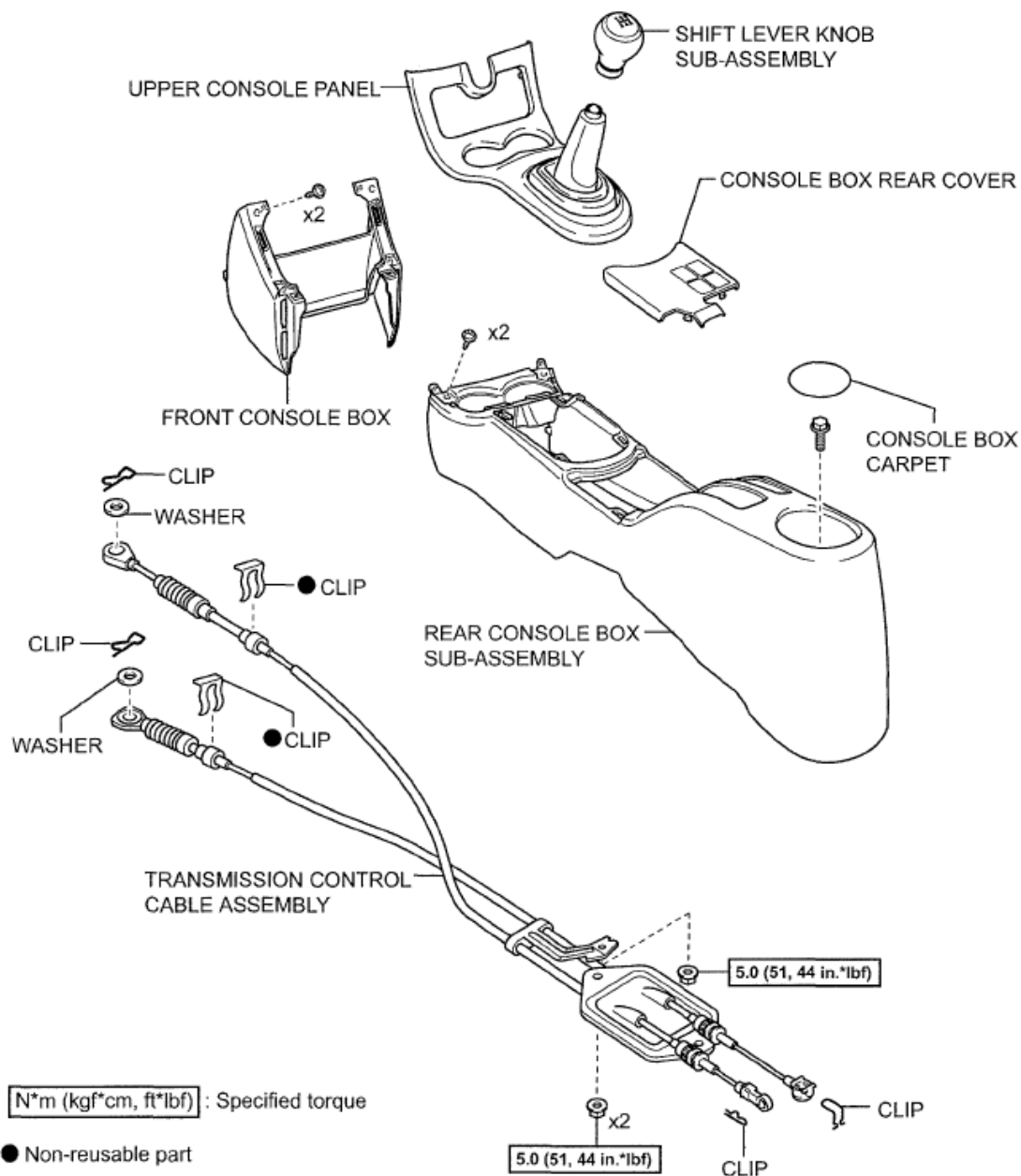


Fig. 16: Identifying Transmission Control Cable Components With Torque Specifications (1 Of 2)
Courtesy of TOYOTA MOTOR SALES, U.S.A., INC.

2008 Scion xD

2008 TRANSMISSION C50 Manual Transaxle - xD

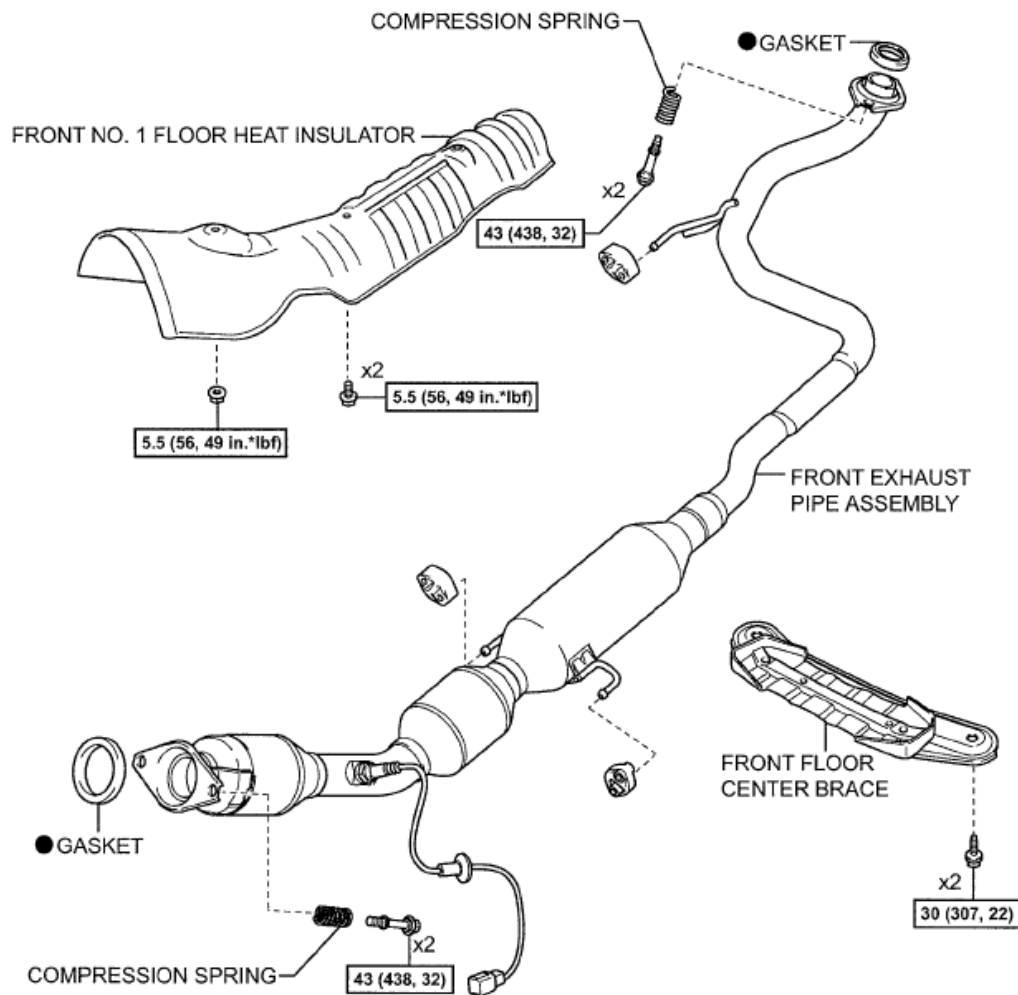


Fig. 17: Identifying Transmission Control Cable Components With Torque Specifications (2 Of 2)
Courtesy of TOYOTA MOTOR SALES, U.S.A., INC.

REMOVAL

1. REMOVE SHIFT LEVER KNOB SUB-ASSEMBLY (See [REMOVAL](#))
2. REMOVE UPPER CONSOLE PANEL (See [REMOVAL](#))
3. REMOVE CONSOLE BOX REAR COVER (See [REMOVAL](#))
4. REMOVE CONSOLE BOX CARPET (See [REMOVAL](#))