

WHEEL BEARING

Inspect the play of the wheel bearings by finger while they are in the wheel. Rotate the inner race by finger to inspect for abnormal noise and smooth rotation.

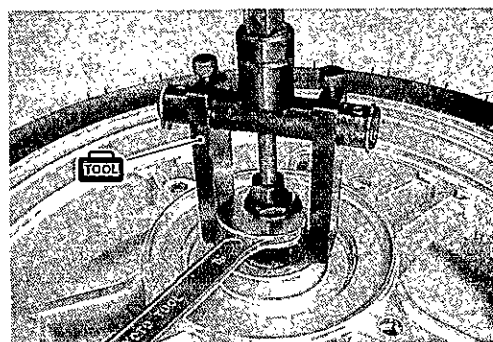
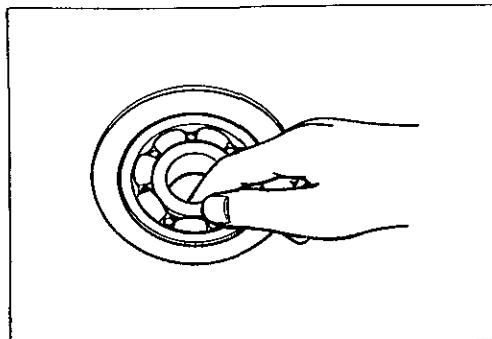
Replace the bearing in the following procedure if there is anything unusual.

- Remove the wheel bearings by using the special tool.

TOOL 09921-20240: Bearing remover set

CAUTION

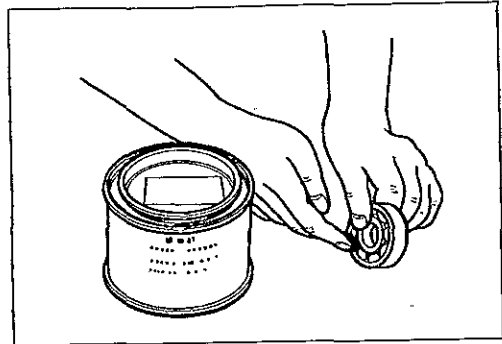
Do not reuse the removed bearings.



WHEEL BEARING

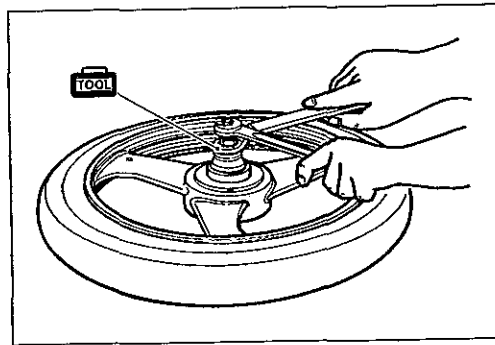
- Apply grease to the wheel bearings.

 **99000-25010: SUZUKI SUPER GREASE "A"**



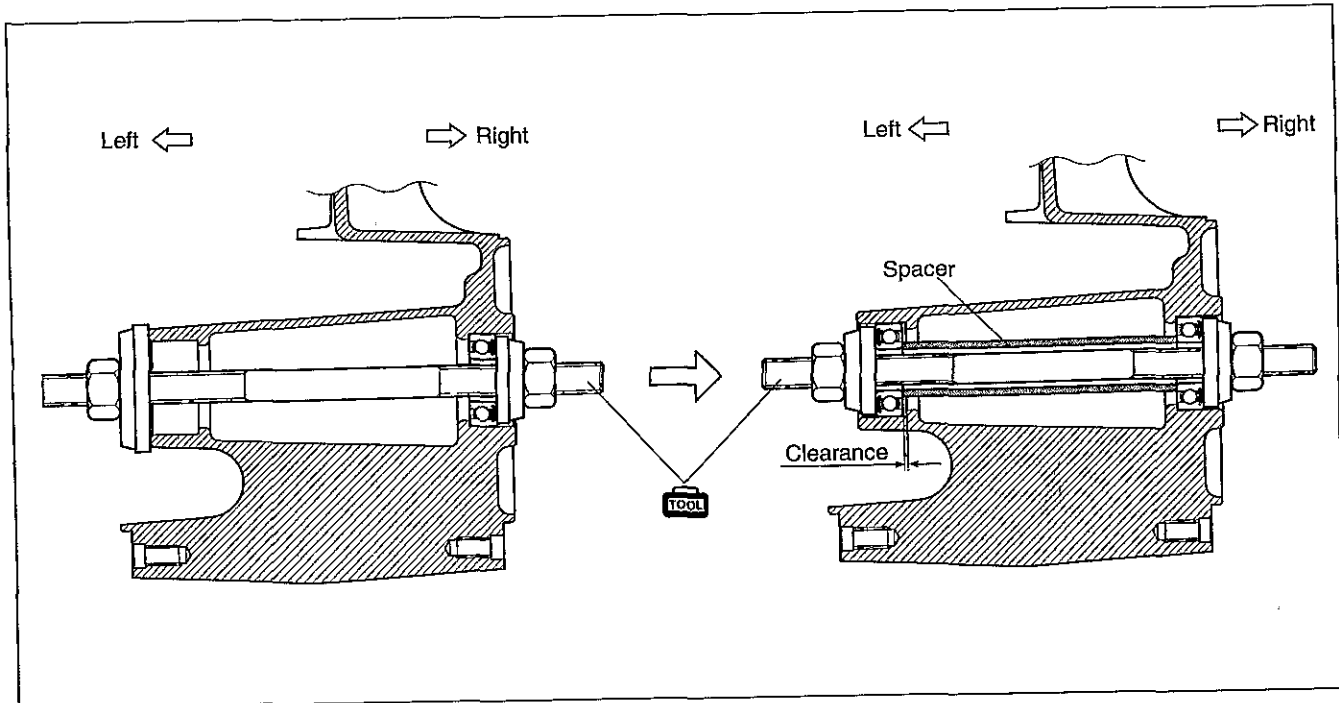
- First install the right wheel bearing, then install the left wheel bearing and spacer by using the special tools.

 **09941-34513: Bearing/Steering race installer set**
09913-70210: Bearing installer set



CAUTION

The sealed cover of the bearing must face outside.



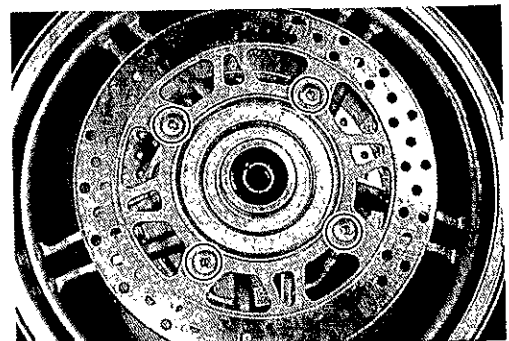
BRAKE DISC

Make sure that the brake disc is clean and free of any greasy matter.

- Apply **THREAD LOCK SUPER "1360"** to the disc mounting bolts and tighten them to the specified torque.

 **Brake disc bolt: 23 N·m (2.3 kgf·m, 16.5 lb-ft)**

 **99000-32130: THREAD LOCK SUPER "1360"**




DUST SEAL

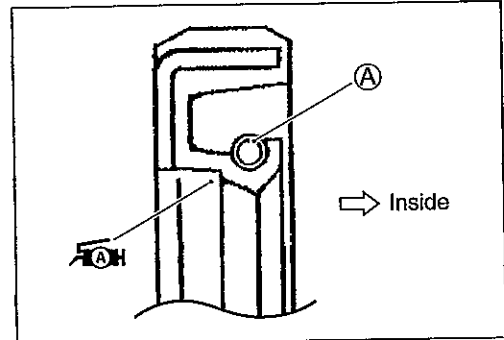
- Apply SUZUKI SUPER GREASE "A" to the dust seals.

 99000-25010: SUZUKI SUPER GREASE "A"

- Install the dust seals to the wheel.


NOTE:

The spring  of dust seal must face to the bearing.

**FRONT AXLE**

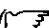
- Install the front wheel and front axle.
- Tighten the front axle to the specified torque with special tool.

 09900-18710: Hexagon socket 12 mm

 Front axle: 65 N·m (6.5 kgf-m, 47.0 lb-ft)

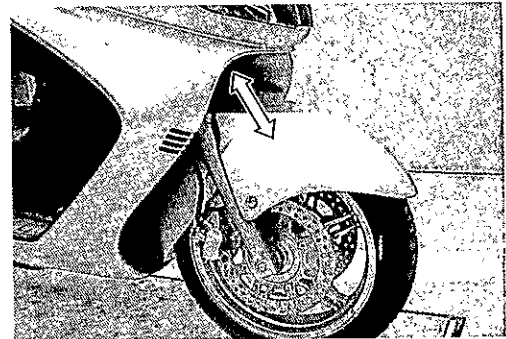
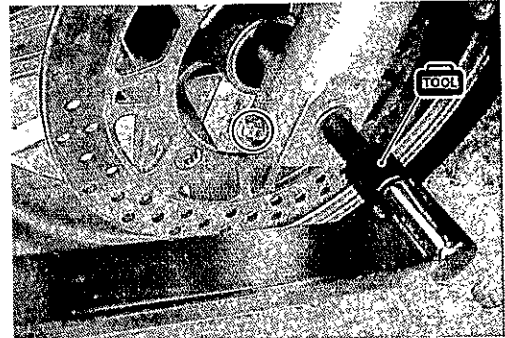
NOTE:

* Before tightening the two axle pinch bolt on the left front fork leg, move the front fork up and down 4 or 5 times without applying front brake.

* Make sure that the arrow on the tire side wall points to the wheel rotation. ( 9-93)

- Tighten axle pinch bolt on the left front fork leg to the specified torque.

 Front axle pinch bolt: 23 N·m (2.3 kgf-m, 16.5 lb-ft)

**BRAKE CALIPER**

- Tighten the brake caliper mounting bolts to the specified torque.

 Front brake caliper mounting bolt:
26 N·m (2.6 kgf-m, 19.0 lb-ft)

NOTE:

* Push the pistons all the way into the caliper and remount the callipers.

* After installing the wheel, pump the brake lever several times in order to operate the brake correctly.

