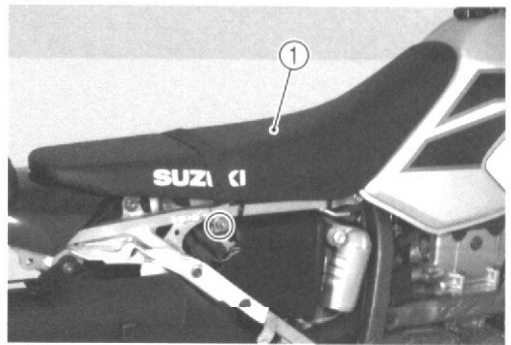


## EXTERIOR PARTS REMOVAL

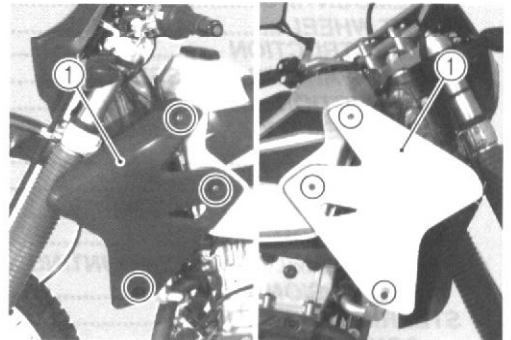
### SEAT

- Remove the right frame cover. (☞ 6-2)
- Remove the seat ①.



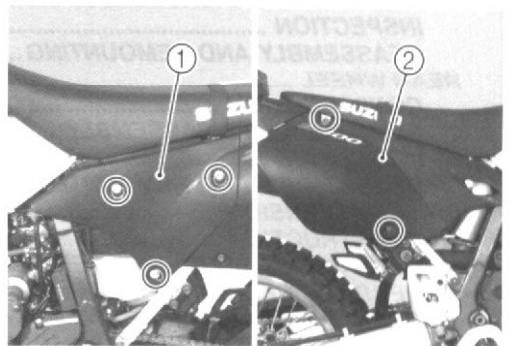
### SIDE COVERS

- Remove the left and right side covers ①.



### FRAME COVERS

- Remove the left frame cover ① and right frame cover ②.



### BATTERY COVER

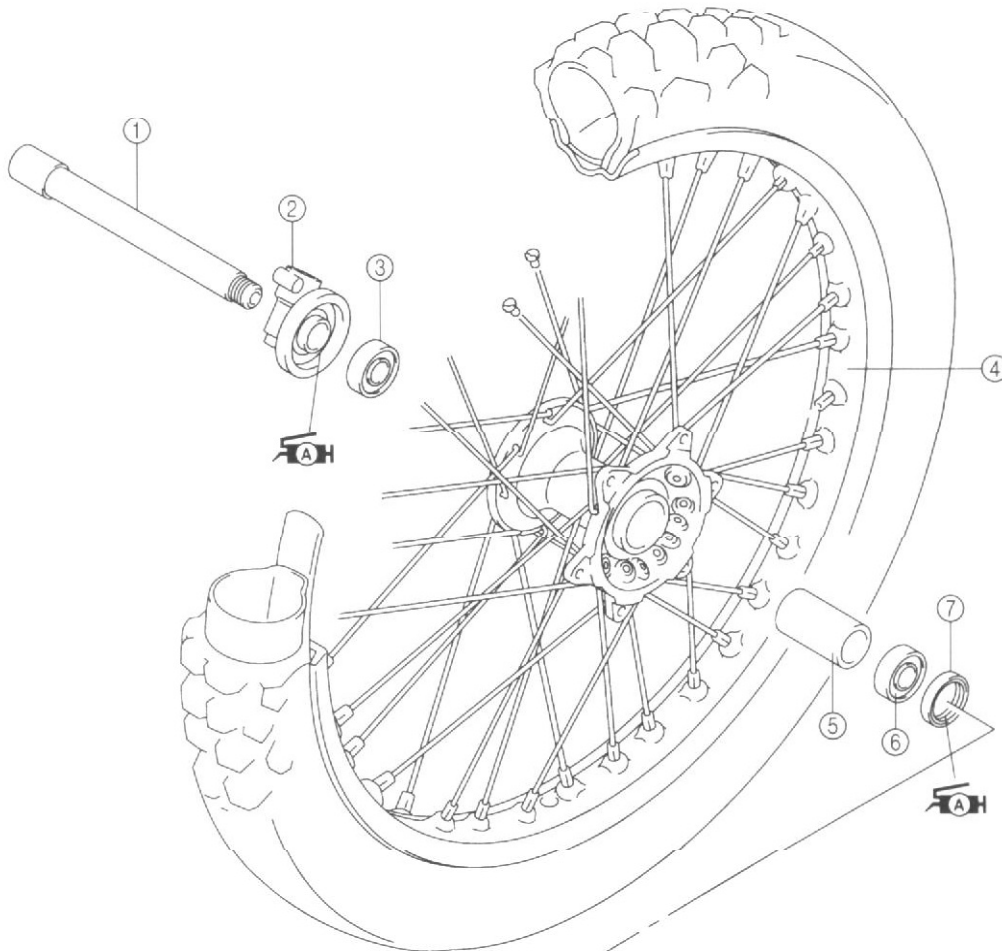
- Remove the battery cover ①.



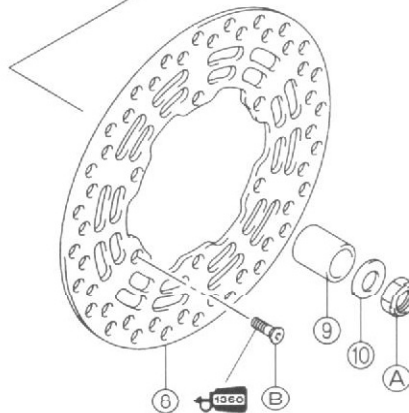
## REMOUNTING

Remount the seat, side covers, frame covers, and battery cover in the reverse order of removal.

# FRONT WHEEL CONSTRUCTION



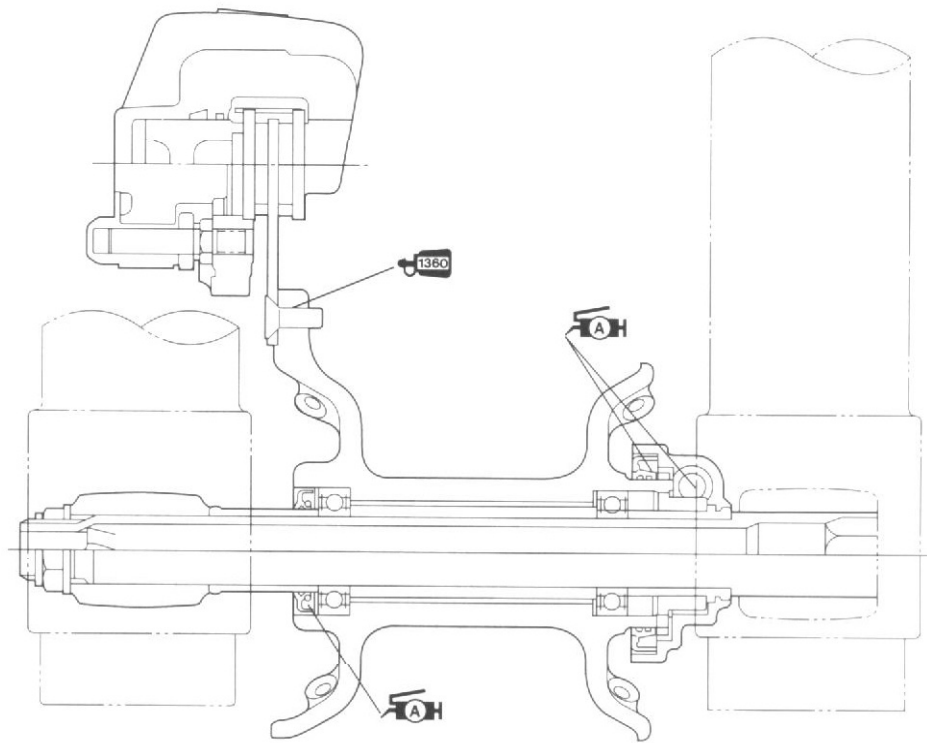
- ① Front axle
- ② Speedometer gearbox
- ③ Bearing (R)
- ④ Front wheel
- ⑤ Spacer
- ⑥ Bearing (L)
- ⑦ Dust seal
- ⑧ Brake disc
- ⑨ Spacer
- ⑩ Washer
- (A) Front axle nut
- (B) Brake disc mounting bolt



ITEM	N·m	kgf·m	lb·ft
(A)	42	4.2	30.5
(B)	10	1.0	7.0

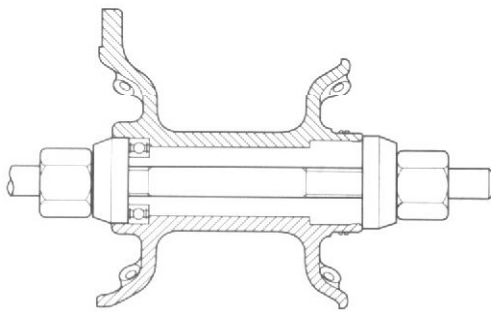
Left ←

→ Right



Left ←

→ Right



Left ←

→ Right

