

## RELAY

### STARTER RELAY

The starter relay is located behind the battery. (Refer to page 6-13 for details.)

### SIDE-STAND RELAY

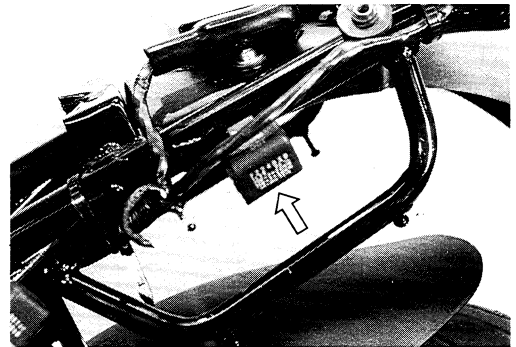
The side-stand relay is located on the left frame back side. (Refer to page 6-13 for details.)

### TURN SIGNAL RELAY

The turn signal relay is located on the left frame back side. If the turn signal light does not light, inspect the bulb or repair the circuit connection. If the bulb and circuit connection checked are correct, the turn signal relay may be faulty, replace it with a new one.

**NOTE:**

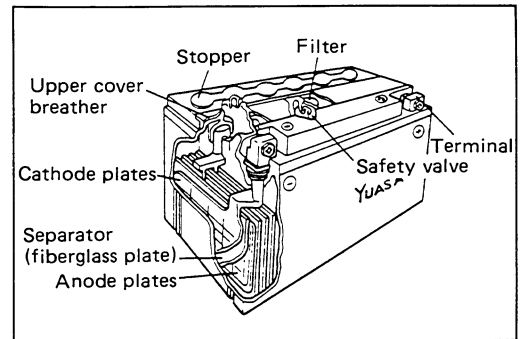
*Be sure that the battery used is in fully-charged condition.*



# BATTERY

## SPECIFICATIONS

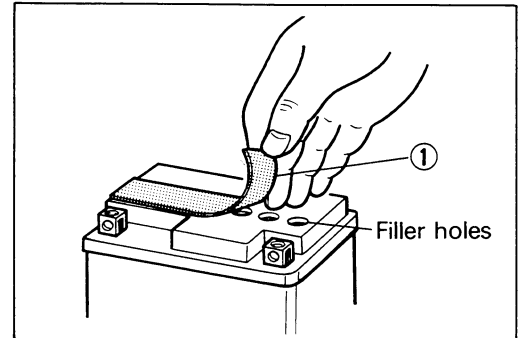
Type designation	YTX9-BS
Capacity	12V 28.8 kC (8 Ah)/10HR
Standard electrolyte S.G.	1.320 at 20° C (68° F)



## INITIAL CHARGING

### Filling electrolyte

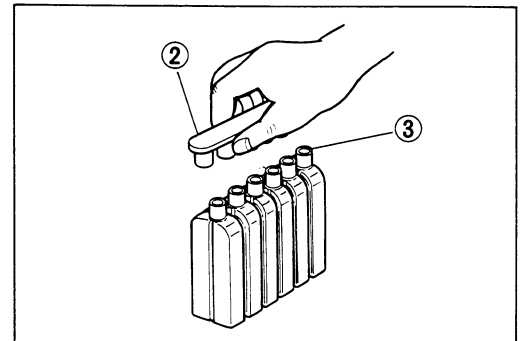
- Remove the aluminum tape ① sealing the battery electrolyte filler holes.



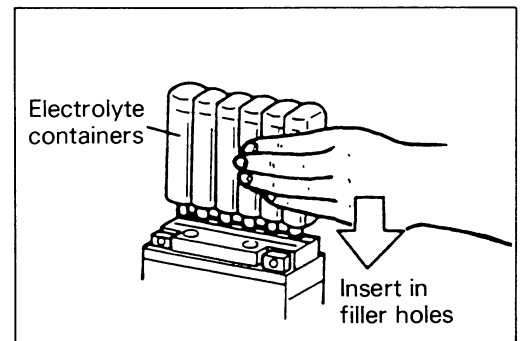
- Remove the caps ②.

**NOTE:**

- After filling the electrolyte completely, use the removed cap ② as the sealed caps of battery-filler holes.*
- Do not remove or pierce the sealed areas ③ of the electrolyte container.*



- Insert the nozzles of the electrolyte container into the battery's electrolyte filler holes, holding the container firmly so that it does not fall. Take precaution not to allow any of the fluid to spill.



- Make sure air bubbles are coming up each electrolyte container, and leave in this position for about more than 20 minutes.

