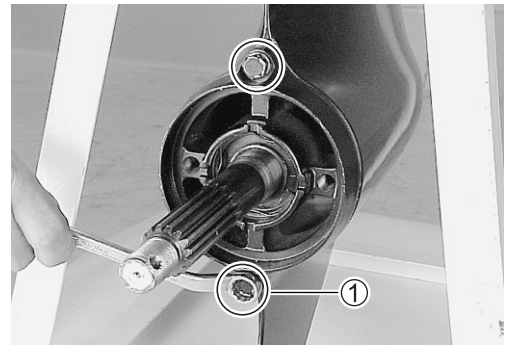


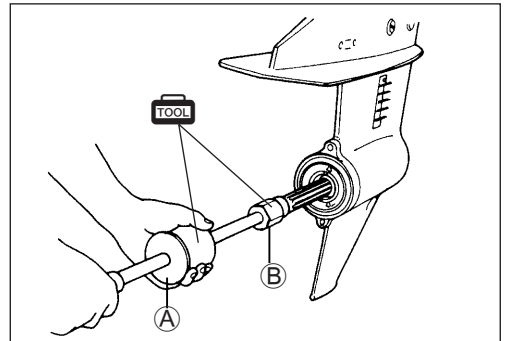
## 9-4 LOWER UNIT

11. Remove two bolts ① securing propeller shaft bearing housing to gearcase.



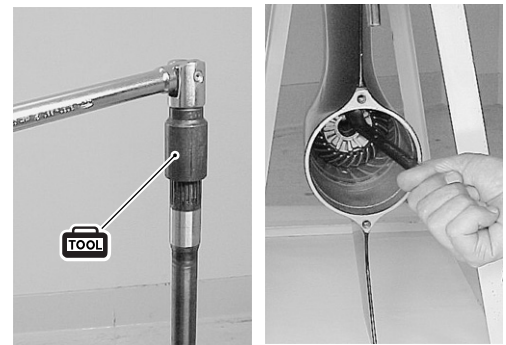
12. Using special tools, draw out propeller shaft bearing housing.  
Remove propeller shaft and bearing housing assembly.

**TOOL** 09930-30104 : Sliding hammer (A)  
09930-30161 : Propeller shaft remover (B)

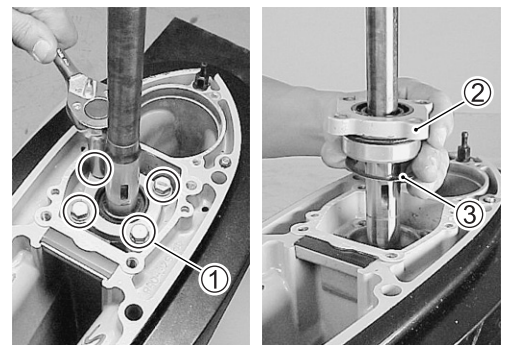


13. Hold pinion nut securely, then fit special tool to the driveshaft and loosen pinion nut.

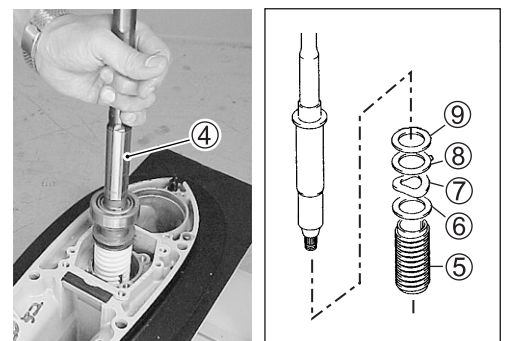
**TOOL** 09921-29410 : Driveshaft holder



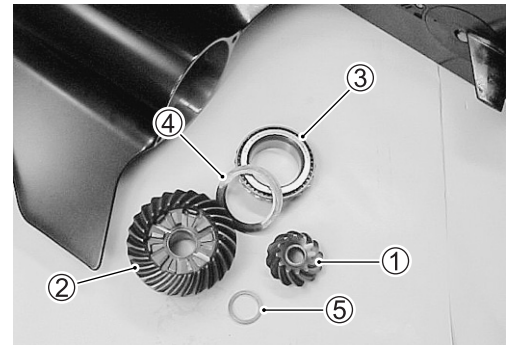
14. Remove four bolts ① securing driveshaft oil seal housing ②, then remove oil seal housing and pinion shim ③.



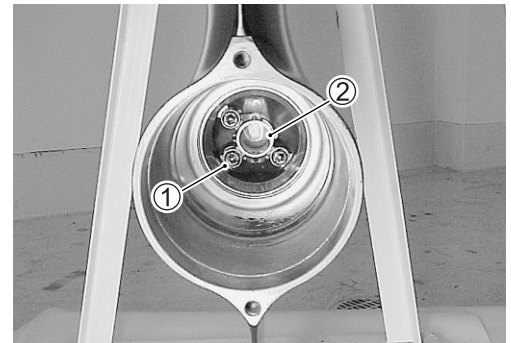
15. Lift out driveshaft assembly ④.  
Remove driveshaft collar ⑤, washer ⑥, wave washer ⑦,  
washer (with tab) ⑧ and washer ⑨ from driveshaft.



16. Remove pinion gear ①.  
Remove forward gear ② (with thrust washer ⑤, back-up shim ④ and bearing ③).

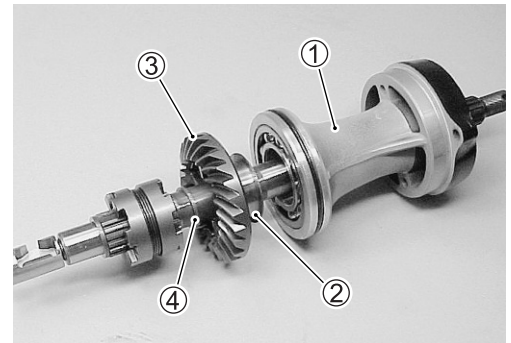


17. Remove three bolts ① securing shift cam housing, then remove shift cam housing ②.  
Account for dowel pins.

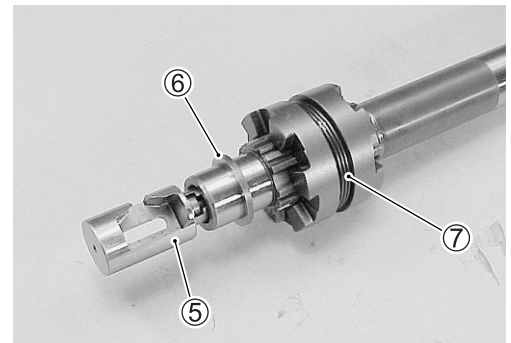


**Disassembly of propeller shaft components**

1. Slide propeller shaft away from reverse gear ③ and bearing housing assembly ①.  
Account for reverse gear back-up shim ② and reverse gear thrust washer ④.

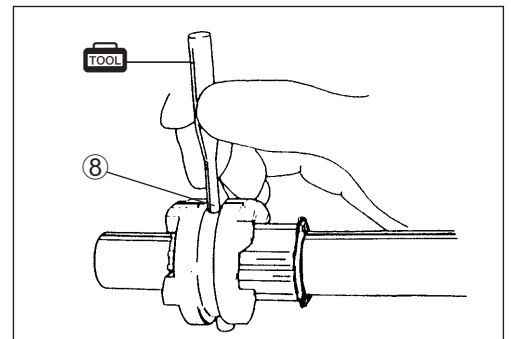


2. Remove horizontal slider ⑤ and forward gear thrust washer ⑥.
3. Remove spring ⑦ from clutch dog shifter.



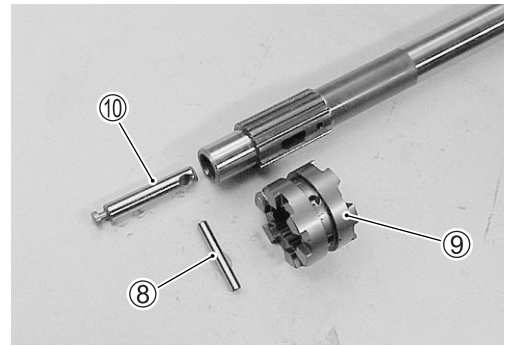
4. Using special tool, push dog pin ⑧ out of clutch dog shifter.

 09922-89810 : Shift pin remover



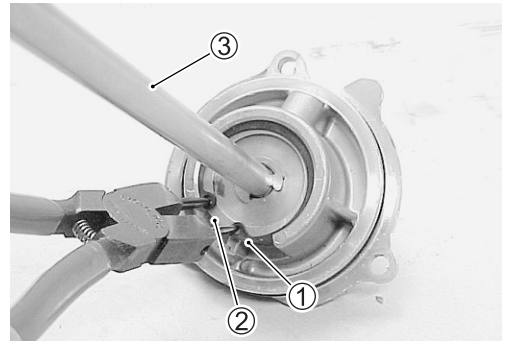
## 9-6 LOWER UNIT

5. Remove clutch dog shifter ⑨ and connector pin ⑩ from propeller shaft.

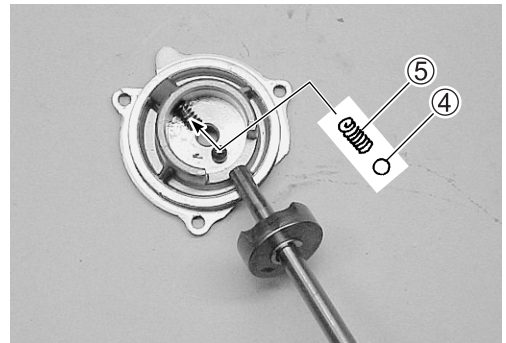


### Disassembly of shift rod components

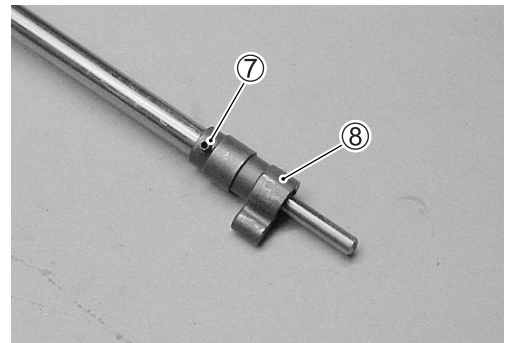
1. Remove circlip ① and washer ②.
2. Slide shift rod ③ out of shift rod guide housing.



3. Remove detent ball ④ and spring ⑤.



4. Remove pin ⑦ and shifter yoke ⑧.

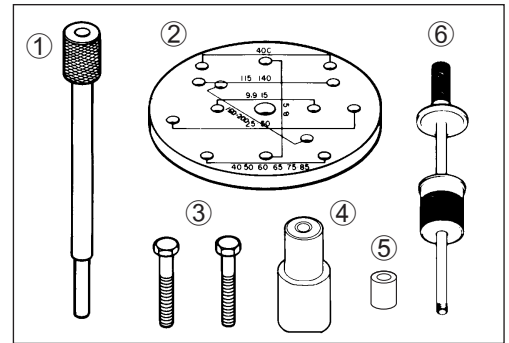


## PINION BEARING

Removal / installation is in following procedure.

### Removal & Installation Tools

- TOOL** 09951-59910 : Shaft (removal & installation) ①  
 09551-39914 : plate ②  
 01500-08403 : Bolt ③  
 09951-19421 : Attachment ④  
 09917-98221 : Spacer ⑤  
 09930-30104 : Sliding hammer ⑥



### REMOVAL

1. Place attachment ④ inside pinion bearing.
2. Insert shaft ① into attachment ④.
3. Thread sliding hammer ⑥ into top of shaft ①.
4. Put wood block under pinion bearing.
5. Drive pinion bearing out downwards by striking top of shaft ① with sliding hammer ⑥.

### CAUTION

- When removing pinion bearing, use care to avoid damaging gearcase.
- Do not re-use pinion bearing once removed. Always use a new pinion bearing.

