

COMPONENT OPERATION / Control Valve

OUTLINE

The control valve controls the oil pressure, flow rate and flow direction in the hydraulic circuit.

The major components are the main relief valve, the overload relief valves, the flow combiner valve, the boom anti-drift valve, and the spools.

The travel spools are operated mechanically. The front attachment and swing spools are operated by the pilot pressure oil system.

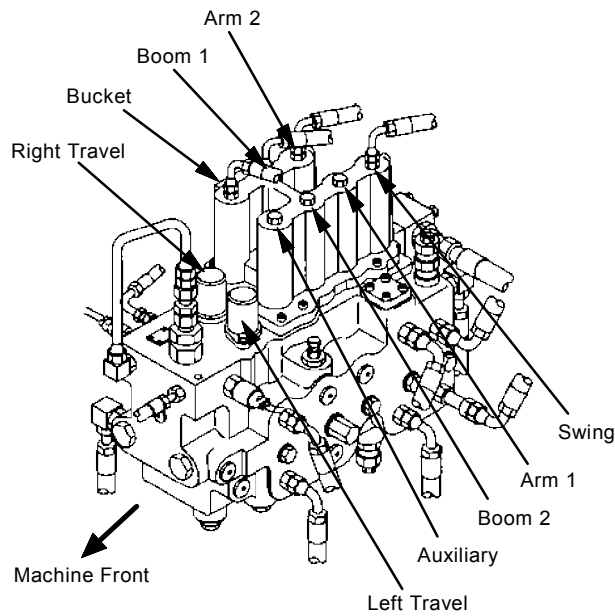
Spool Arrangement in Control Valve (Viewed from the machine front):

In 4-Spool Section: Right Travel, Bucket, Boom 1, and Arm 2

In 5-Spool Section: Left Travel, Auxiliary, Boom 2, Arm 1, and Swing

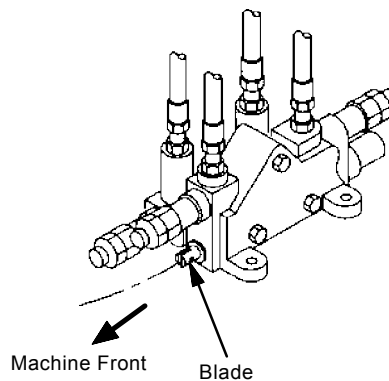
Spool Arrangement in Blade Control Valve: Blade

Control Valve



T152-03-03-018

Blade Control Valve
(Blade Spec. Only)



T152-03-03-020