

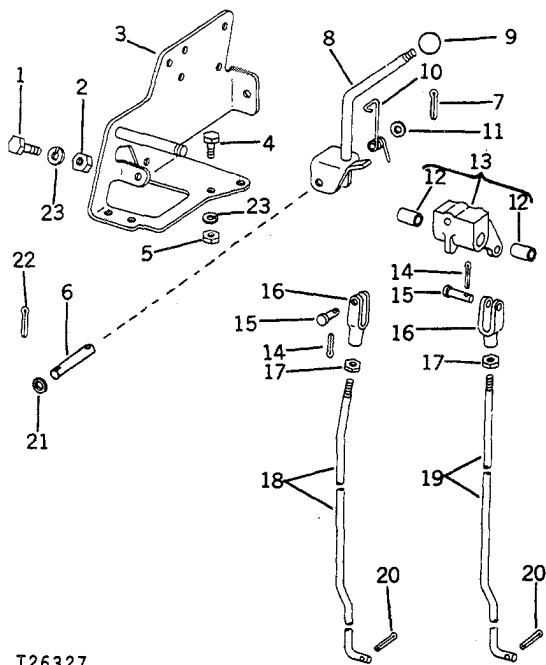
REPAIR

SPEED SELECTOR ASSEMBLY

Use Figures 14 and 15 for identification of parts and for reference during disassembly and assembly.

Check park pawl control cable for free operation. Lubricate or replace if necessary.

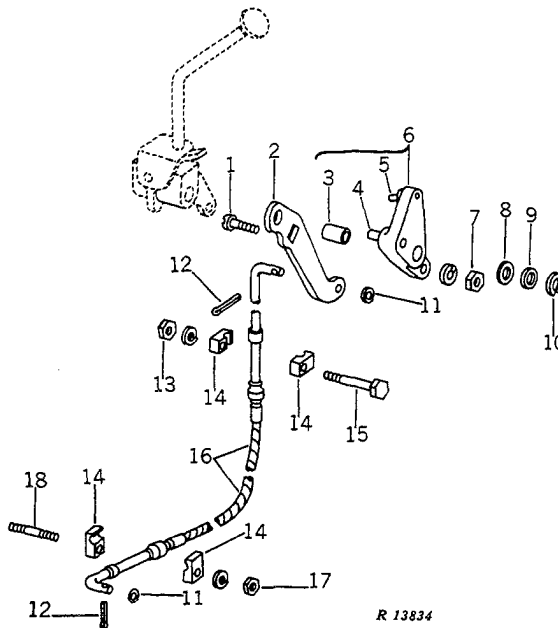
Check for correct end play in levers on pivot shaft (0.030-in. maximum).



T26327

- 1 - High-Strength Cap Screw
- 2 - Nut
- 3 - Control Lever Support
- 4 - High-Strength Cap Screw (5 used)
- 5 - Nut (5 used)
- 6 - Pin
- 7 - Cotter Pin
- 8 - Transmission Control Lever
- 9 - Ball
- 10 - Spring
- 11 - Washer
- 12 - Bushing (2 used)
- 13 - Control Lever Pivot
- 14 - Cotter Pin (2 used)
- 15 - Pin (2 used)
- 16 - Yoke (2 used)
- 17 - Jam Nut (2 used)
- 18 - Reverse Valve Operating Rod
- 19 - Transmission Control Valve Operating Rod
- 20 - Cotter Pin (2 used)
- 21 - Washer
- 22 - Cotter Pin
- 23 - Lock Washer (6 used)

Fig. 14-Transmission Shifter Control Parts



R 13834

- 1 - Bolt
- 2 - Lock Arm
- 3 - Bushing
- 4 - Dowel Pin
- 5 - Dowel Pin
- 6 - Lock Hub
- 7 - Nut
- 8 - Washer (use as required)
- 9 - Washer (used as required)
- 10 - Retaining Ring
- 11 - Washer (2 used)
- 12 - Cotter Pin (2 used)
- 13 - Nut
- 14 - Clamp (4 used)
- 15 - High-Strength Cap Screw
- 16 - Lock Cable
- 17 - Nut
- 18 - Stud

Fig. 15-Transmission Lock Control Parts