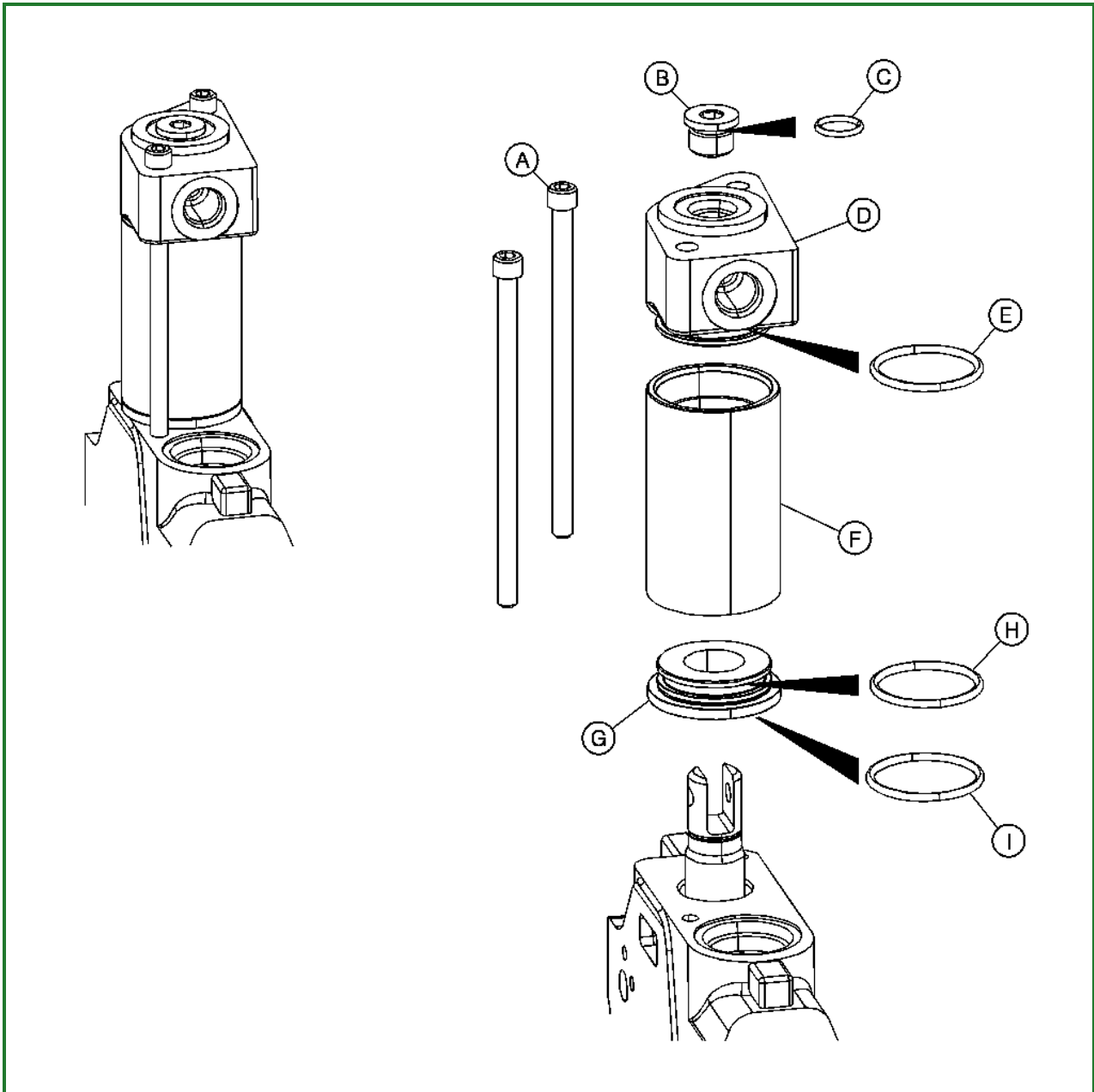


## Pilot Operated Valve Remove and Install



### TX1009099-UN: Pilot Operated Valve

#### **LEGEND:**

- A - Screw (2 used)
- B - Plug
- C - O-ring
- D - Cap
- E - O-ring
- F - Tube
- G - Bottom
- H - O-ring
- I - O-ring

The pilot operated valve can be disassembled as shown.

Inspect for damage. Replace o-rings.

Go to [Section\\_38:Group\\_3860](#)

GD61784,0000053-19-20070612