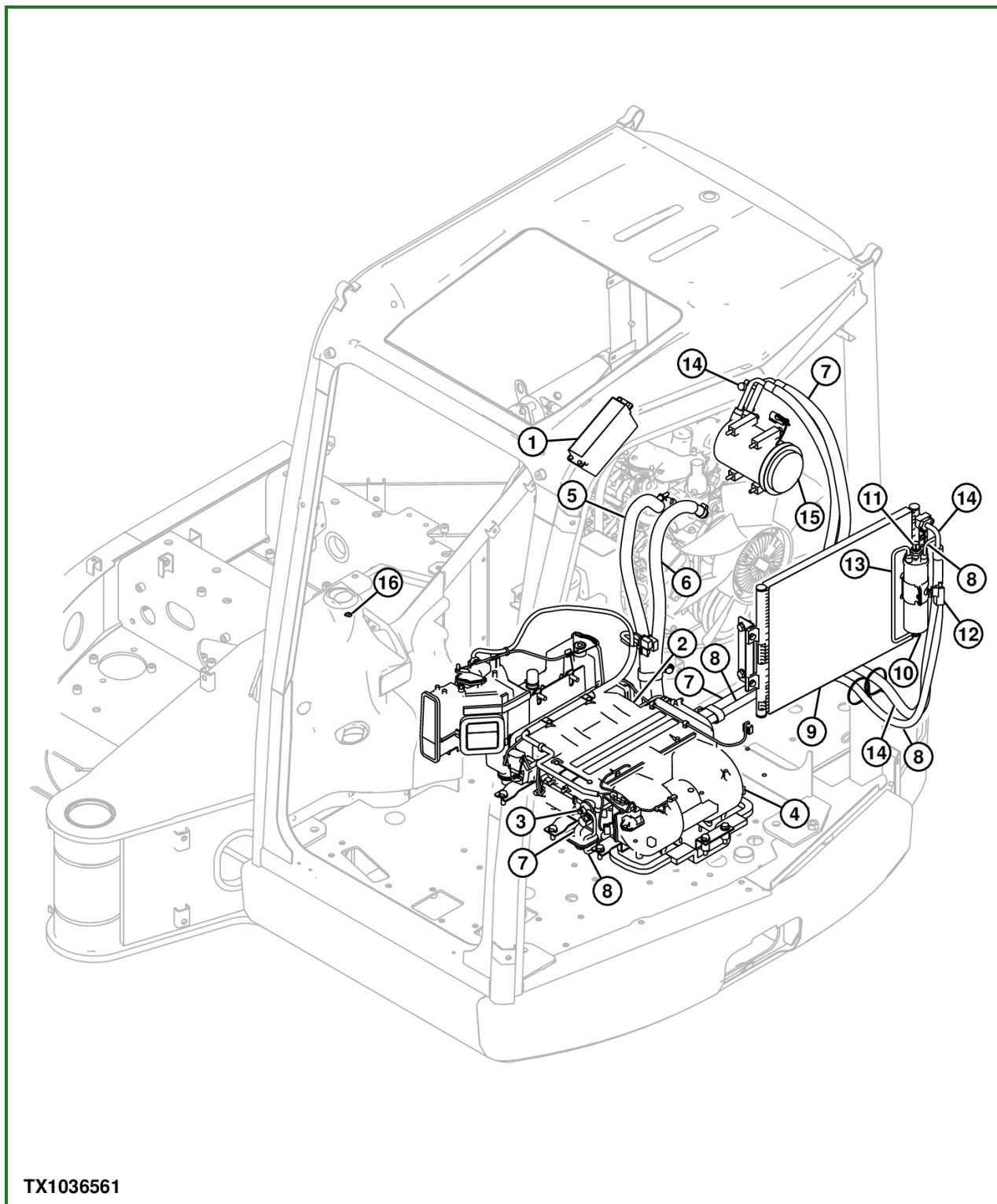


## Heater and Air Conditioner Component Location



TX1036561

### TX1036561-UN: Heater and Air Conditioner Component Location

**LEGEND:**

- 1 - Air Conditioner and Heater Controller
- 2 - Heater Core
- 3 - Evaporator
- 4 - Blower Motor
- 5 - Heater Hot Water Return Line
- 6 - Heater Hot Water Supply Line
- 7 - Evaporator-to-Compressor Low Pressure Line
- 8 - Receiver-Dryer-to-Evaporator High Pressure Line

- 9 - Condenser
- 10 - Receiver-Dryer
- 11 - High/Low Pressure Switch
- 12 - Ambient Air Temperature Sensor
- 13 - Condenser-to-Receiver-Dryer High Pressure Line
- 14 - Compressor-to-Condenser High Pressure Line
- 15 - Air Conditioner Compressor
- 16 - Solar Sensor

Go to [Section\\_9031:Group\\_15](#)

MR24579,0000343-19-20080229