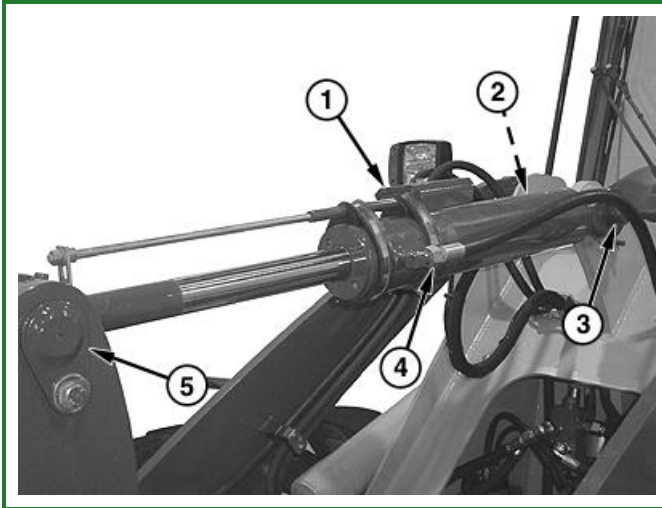


Bucket Cylinder Remove and Install

1.

NOTE:

Bucket cylinder may be disassembled on the machine for seal and packing replacement.



T202412A-UN: Bucket Cylinder

LEGEND:

- 1 - Bucket Leveler
- 2 - Hydraulic Line
- 3 - Pin
- 4 - Hydraulic Line
- 5 - Pin

Park machine on a level surface and lower boom and bucket to the ground.

2.

⚠ CAUTION:



X9811-UN: Escaping Fluid

To avoid injury from escaping fluid under pressure, stop engine and relieve the pressure in the system before disconnecting or connecting hydraulic or other lines.

Never attempt to relieve hydraulic system or accumulator pressure by loosening

a fitting. Tighten all connections before applying pressure.

Stop engine and relieve pressure from hydraulic system. [Perform Hydraulic System Pressure and Accumulators Discharge Procedure](#) . (Group 2160.)

3.

NOTE:
Measure length of exposed bucket leveler rod before removing bucket leveler. Record measurement and use for installation.

Remove bucket leveler (1).

4.

⚠ CAUTION:
Prevent possible crushing injury from heavy component. Use appropriate lifting device.

Attach hoist to bucket cylinder, using lifting straps.

Item	Measurement	Specification
Bucket Cylinder	Weight (approximate)	35 kg 77 lb.

5. Mark and disconnect hydraulic lines (2 and 4).
6. Close open lines and fittings using caps and plugs.
7. Remove pins (3 and 5).
8. Remove cylinder.
9. Repair or replace cylinder as needed. [See Boom and Bucket Cylinders Disassemble and Assemble](#) . (Group 3160.)
10. Position cylinder on machine and install pins.
11. Connect hydraulic lines.
12. Install bucket leveler using recorded measurement taken prior to removing leveler.
13. Start machine. With engine at slow idle, slowly extend and retract cylinder fully, several times, to ensure air is out of cylinder.
14. Fill hydraulic reservoir to proper level. [See Hydraulic Reservoir Oil](#) . (Operator's Manual.)
15. [Perform Return-to-Dig Adjustment](#) . (Group 9015-25.)

Go to [Section_31:Group_3160](#)

DE88008,000024B-19-20090305