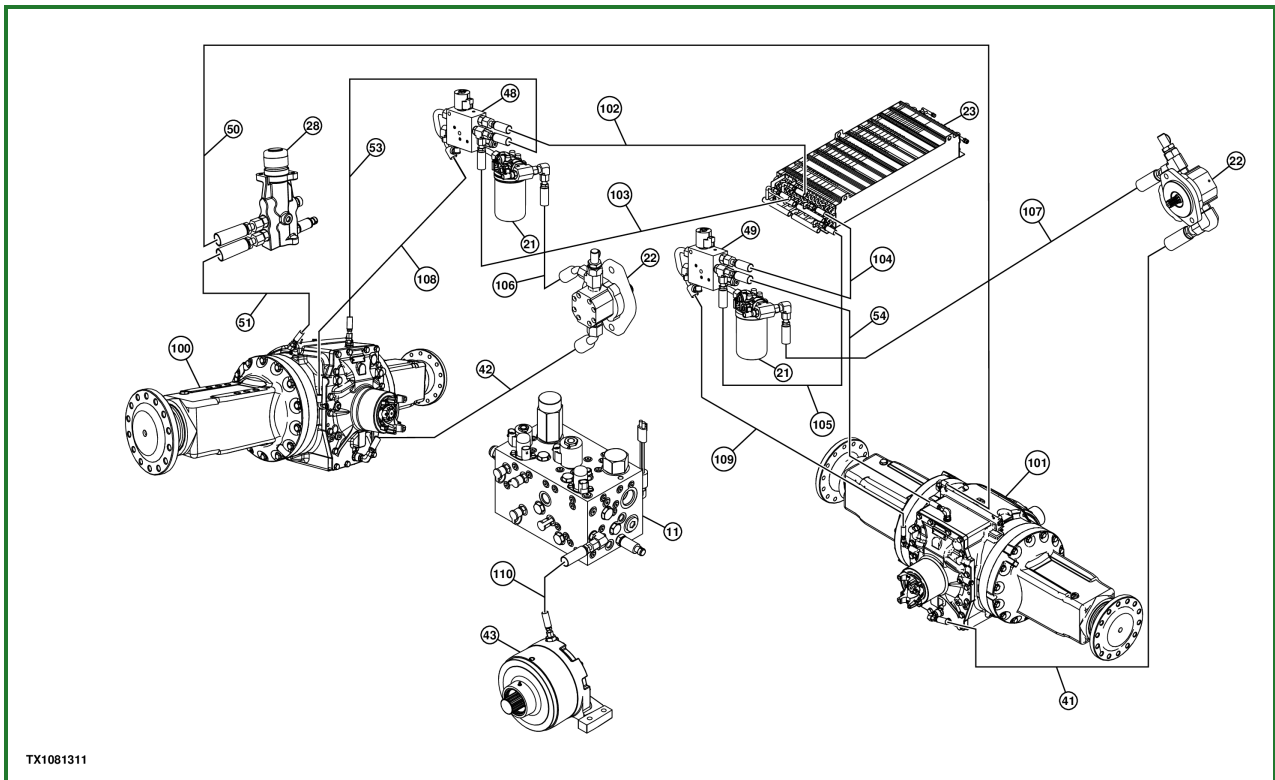


Service Brake, Park Brake, Differential Lock, and Axle Cooling Circuit Line Identification



TX1081311-UN: Service Brake, Park Brake, Differential Lock, and Axle Cooling Circuit Line Identification

LEGEND:

- 11 - Hydraulic Pump Manifold
- 21 - Axle Cooling Filter (2 used)
- 22 - Axle Circulation Pump (2 used)
- 23 - Axle Oil Cooler (2 used)
- 28 - Service Brake Valve
- 41 - Rear Axle-to-Axle Circulation Pump Line
- 42 - Front Axle-to-Axle Circulation Pump Line
- 43 - Park Brake
- 48 - Front Differential Locking Valve
- 49 - Rear Differential Locking Valve (if equipped)
- 50 - Rear Axle Service Brake Line
- 51 - Front Axle Service Brake Line
- 53 - Front Axle-to-Front Differential Locking Valve Return Line
- 54 - Rear Axle-to-Rear Differential Locking Valve Return Line
- 100 - Front Axle
- 101 - Rear Axle
- 102 - Front Differential Locking Valve-to-Axle Cooler Line
- 103 - Axle Cooler-to-Front Differential Locking Valve Return Line
- 104 - Rear Differential Locking Valve-to-Axle Cooler Line
- 105 - Axle Cooler-to-Rear Differential Locking Valve Return Line
- 106 - Axle Circulation Pump-to-Axle Cooling Filter
- 107 - Axle Circulation Pump-to-Axle Cooling Filter
- 108 - Front Differential Locking Valve-to-Front Axle Line
- 109 - Rear Differential Locking Valve-to-Rear Axle Line
- 110 - Hydraulic Pump Manifold-to-Park Brake Line

Go to [Section_9025:Group_10](#)

TF44157,000146C-19-20101214