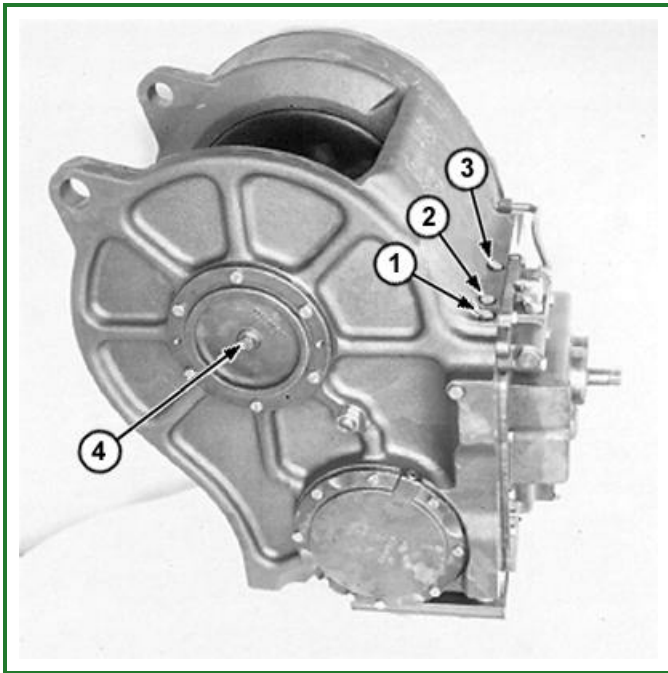
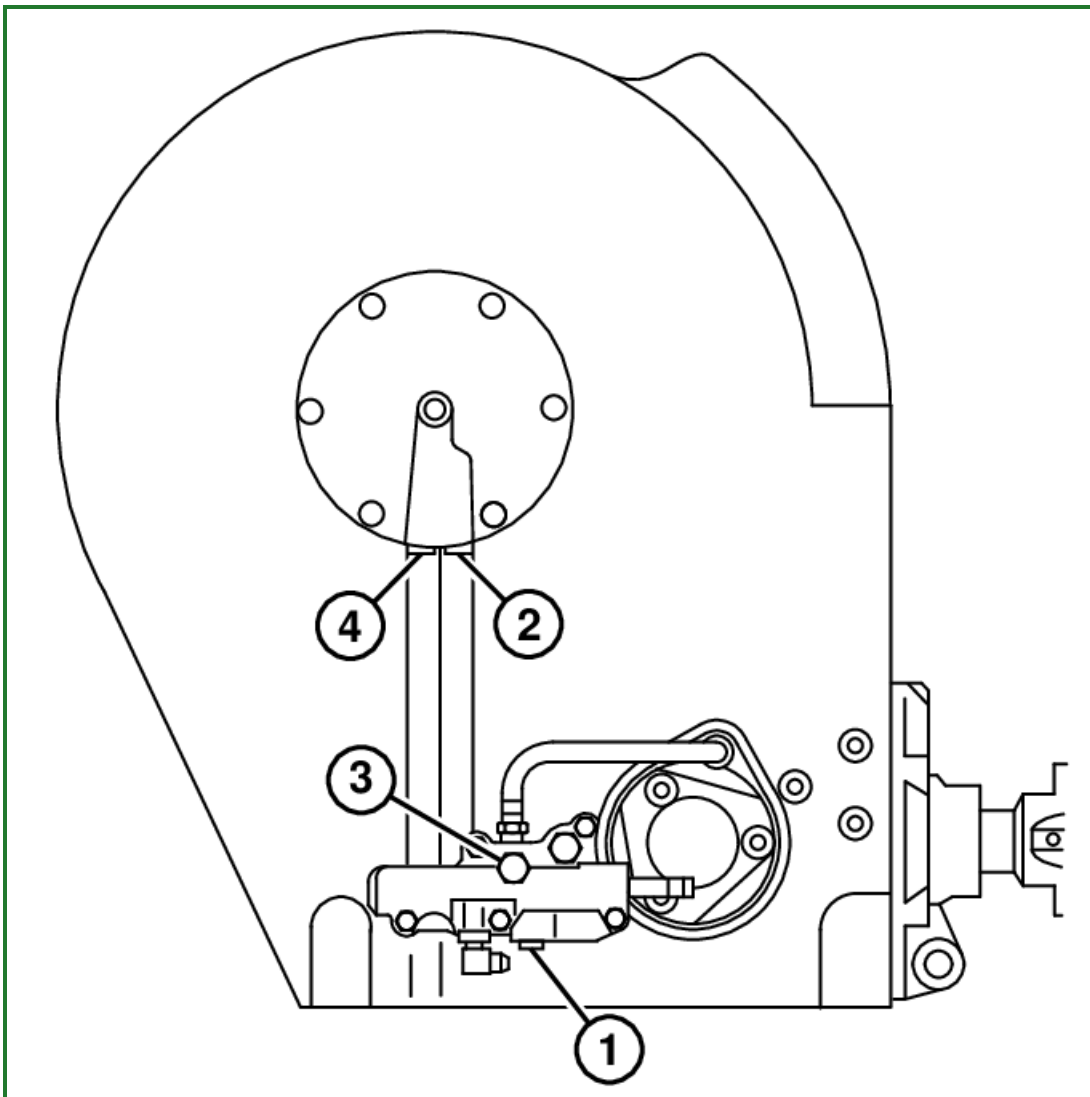


Winch System Pressure Test



TX1020605A-UN: 4000 Series Winch



TX1023117-UN: 6000 Series Winch

LEGEND:

1 - Brake Test Port

2 - System Pressure Test Port

3 - Clutch Test Port

4 - Free Spool Test Port

-: Specifications

SPECIFICATIONS	
Transmission Oil Temperature	43—55°C 110—130°F
Engine Speed	2000 rpm
Brake Pressure (POWER IN position)	1760—1960 kPa 17.6—19.6 bar 255—285 psi
Clutch Pressure (POWER IN position)	1760—1960 kPa 17.6—19.6 bar 255—285 psi
Free Spool Pressure (POWER IN position)	0 kPa 0 bar 0 psi
Brake Pressure (BRAKE ON position)	0 kPa 0 bar 0 psi
Clutch Pressure (BRAKE ON position)	0 kPa 0 bar 0 psi
Free Spool Pressure (BRAKE ON position)	0 kPa 0 bar 0 psi
Brake Pressure (BRAKE OFF position)	1760—1960 kPa 17.6—19.6 bar 255—285 psi
Clutch Pressure (BRAKE OFF position)	0 kPa 0 bar 0 psi
Free Spool Pressure (BRAKE OFF position)	0 kPa 0 bar 0 psi
Brake Pressure (FREE SPOOL position)	1760—1960 kPa 17.6—19.6 bar 255—285 psi
Free Spool Pressure (FREE SPOOL position)	1760—1960 kPa 17.6—19.6 bar 255—285 psi