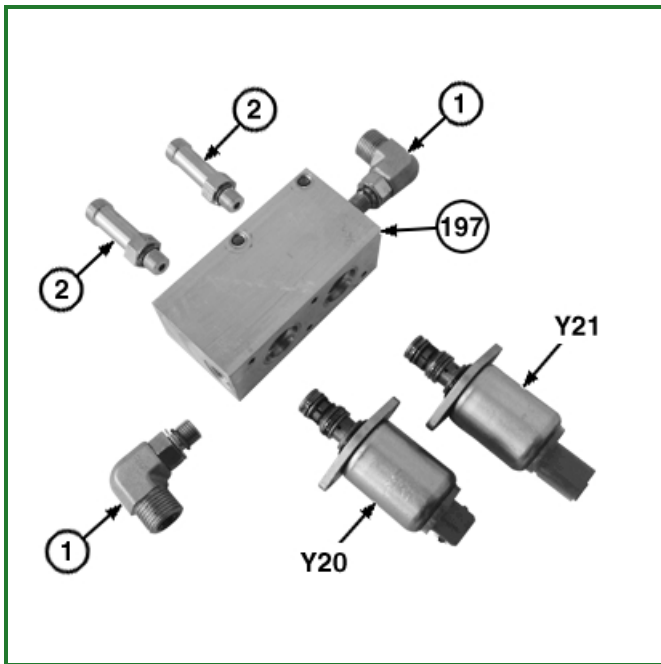
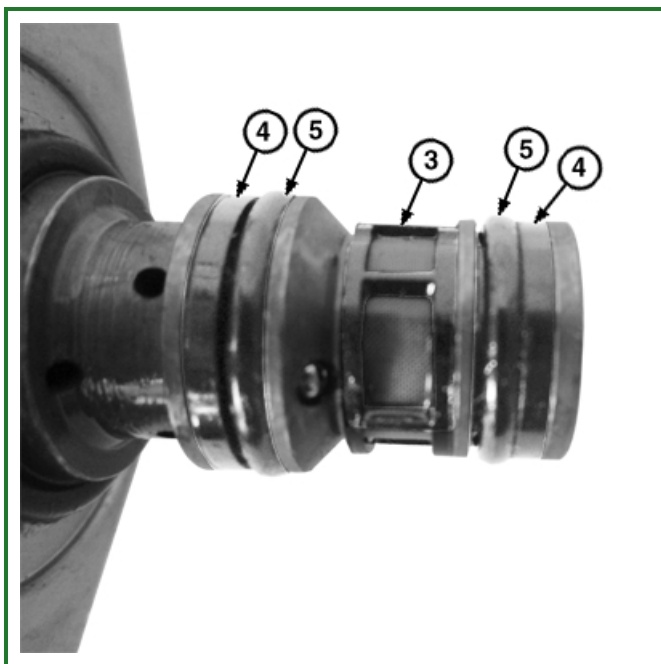


## Loader Auxiliary Manifold Disassemble and Assemble



TX1196341A-UN: Loader Auxiliary Manifold



TX1196342A-UN: Pilot Screen (loader auxiliary solenoid 1 [Y20] shown)

**LEGEND:**

- 1 - Elbow Fitting (2 used)
- 2 - Fitting (2 used)
- 3 - Pilot Screen (2 used)
- 4 - Seal (2 used)
- 5 - O-Ring (2 used)
- 197 - Loader Auxiliary Manifold
- Y20 - Loader Auxiliary Solenoid 1 (work port A)
- Y21 - Loader Auxiliary Solenoid 2 (work port B)

**DISASSEMBLE**

Disassemble components as shown.

***Additional Information***

Pilot screens (3) are serviced with solenoid.

***ASSEMBLE***

Assemble components as shown.

***Additional Information***

Apply clean oil to seals (4) and O-rings (5).

Go to [Section\\_31:Group\\_3160](#)

CM88549,00D0CA7-19-20150710