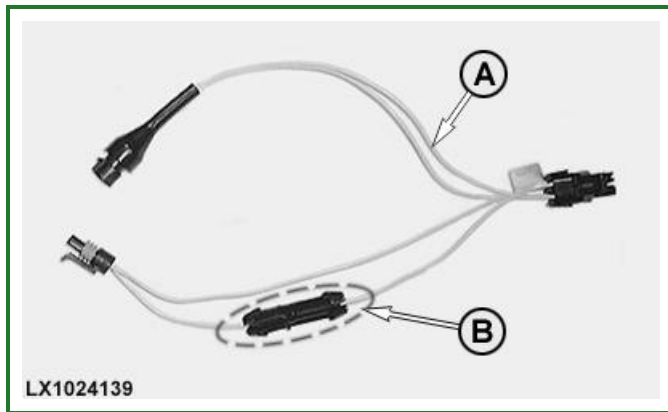


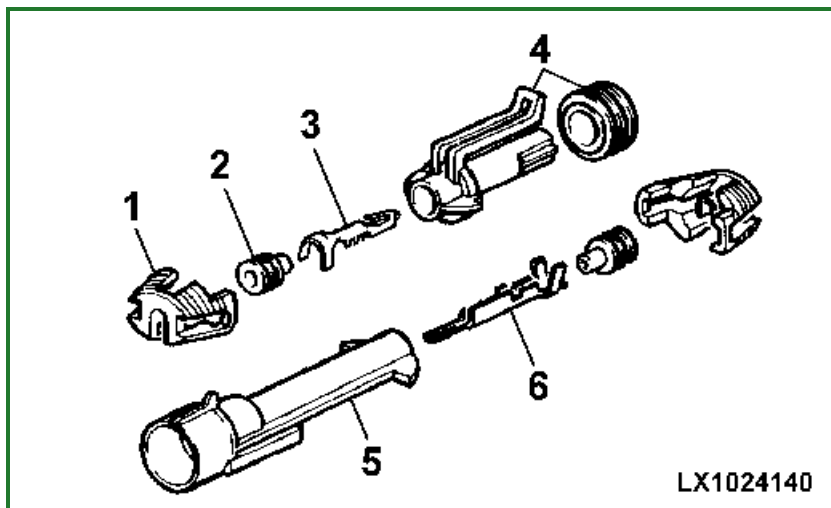
DFLX14—Solenoid Valve Test Harness

**LX1024139-UN: Solenoid test harness**

LEGEND:

A - JDG774 Test harness

B - Additional connector for checking current strength

**LX1024140-UN: Connector**

LEGEND:

1 - (2x) 57M7315 Connector

2 - 57M7258 Seal (2 used)

3 - R104846 sleeve terminal (1 used)

4 - 57M7266 female terminal (1 used)

5 - 57M7267 male terminal (1 used)

6 - R104919 pin terminal (1 used)

NOTE:

Order solenoid test harness JDG774 through normal parts channels.

The additional connector must be installed between the solenoid plug (cable to pin A) and the measuring plug.

The additional connector can be used to check current strength at the solenoids as well as voltages.

Go to [Section_299:Group_05](#)

GL04739,0000243-19-20050322

Special tool information

For detailed special tool information, see SERVICEGARD.

Go to [Section_299:Group_10](#)

LX25458,0000D92-19-20130208