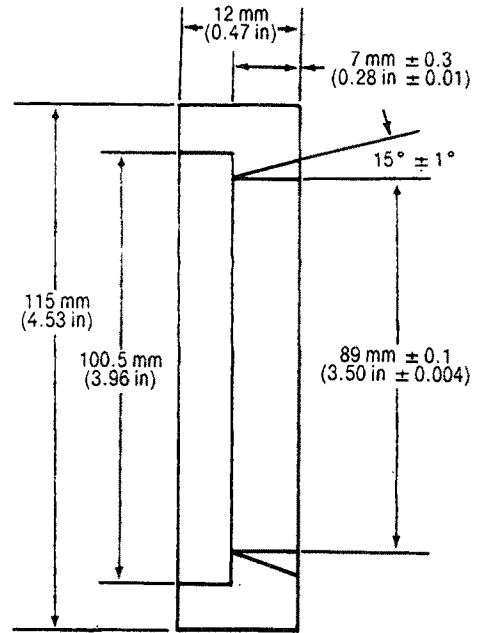


FIG. 13—SEAL INSTALLER

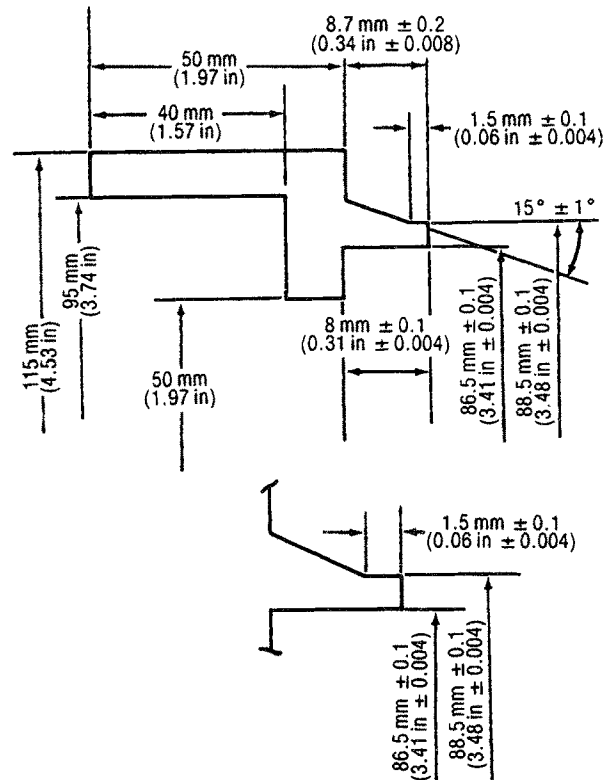
50—Install front idler two piece metal face seal.



20A;T6333EI T29;9900 C37 190686

FIG. 14—SEAL INSTALLER

50—Install front idler two piece metal face seal.



20A;T6333EQ T29;9900 C38 190686

Dealer Fabricated Tools