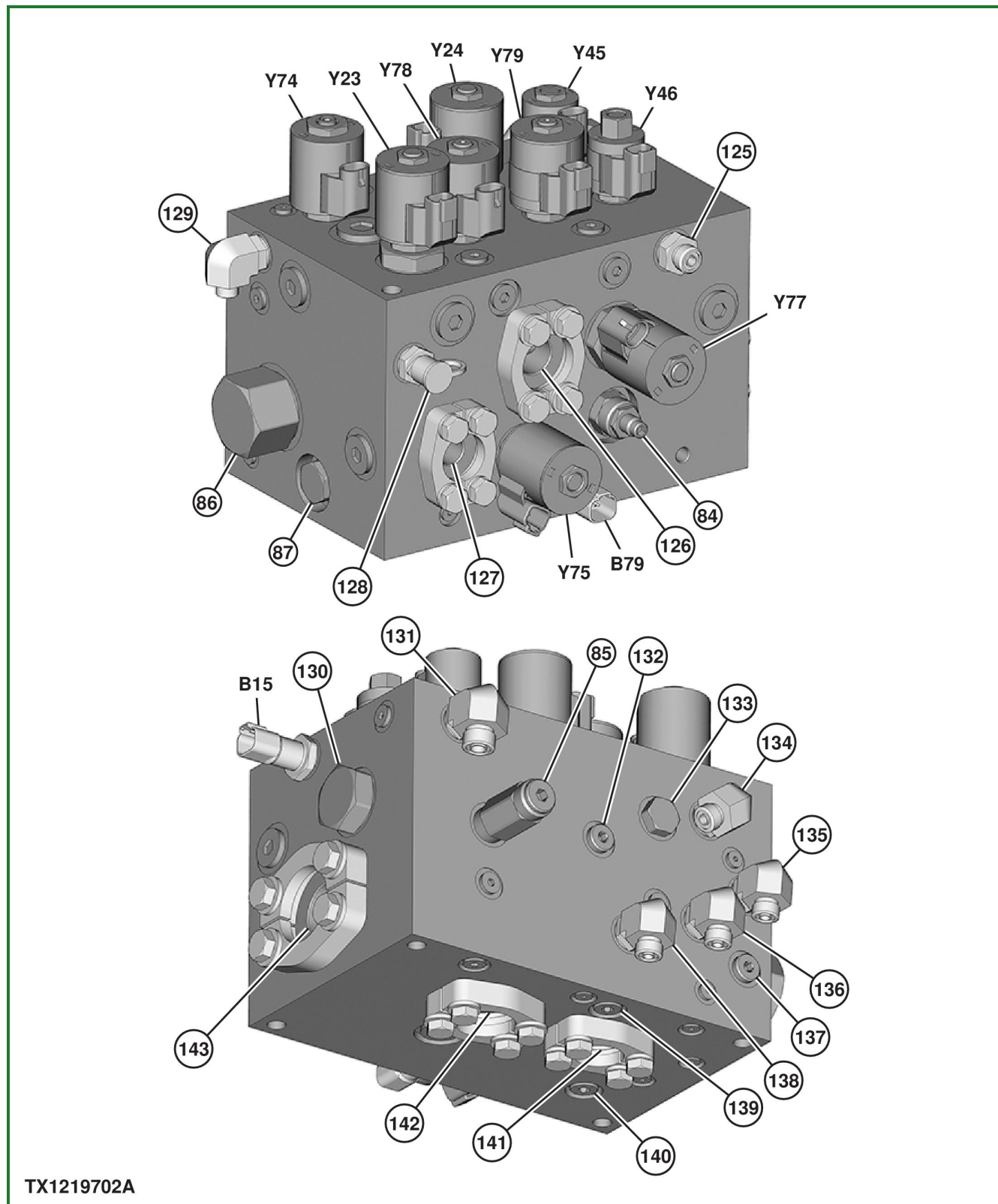


Rear Hydraulic System Manifold Operation



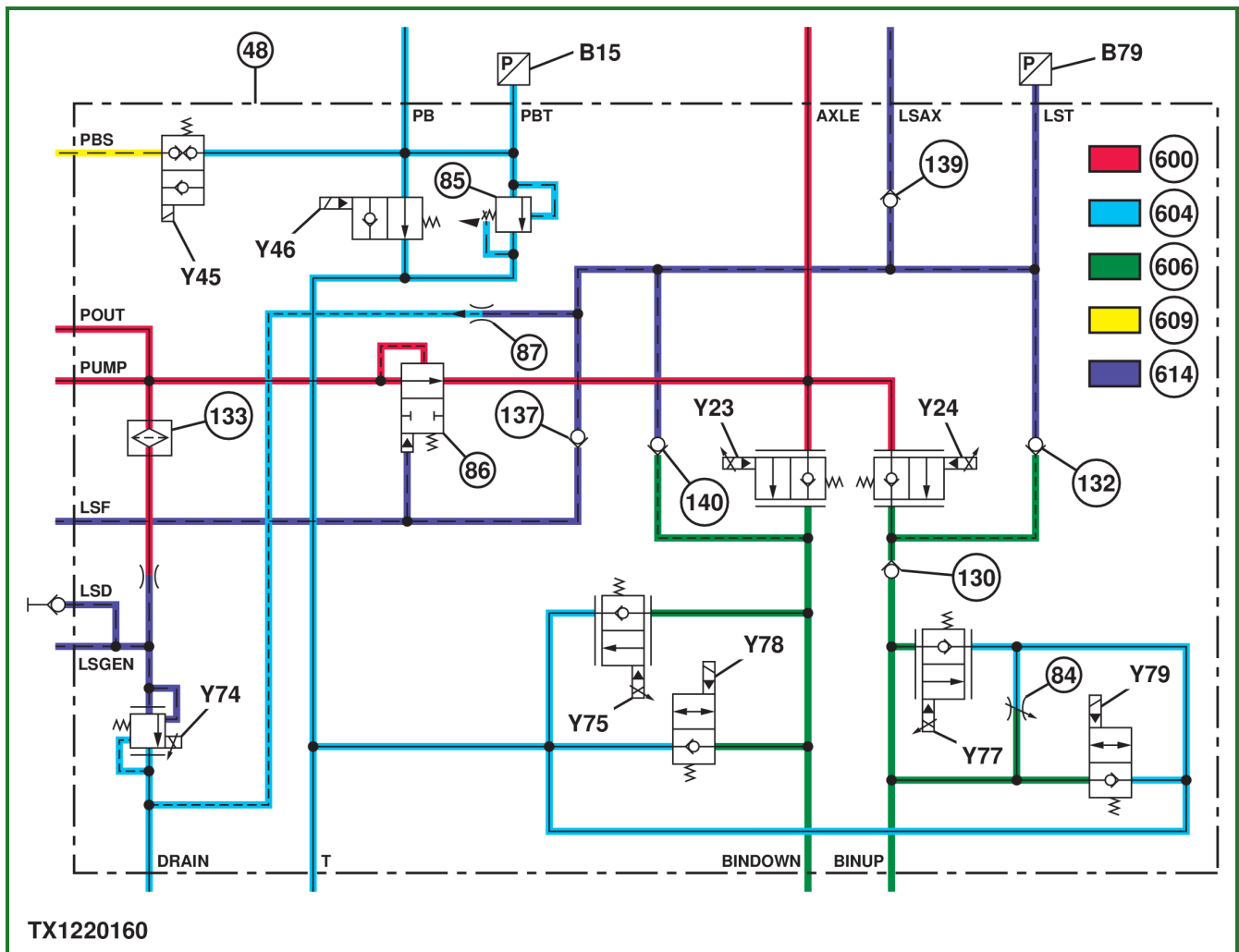
TX1219702A-UN: Rear Hydraulic System Manifold Components

LEGEND:

- 84 - Dump Body Flow Control Valve
- 85 - Park Brake Pressure Limit Valve
- 86 - Priority Valve
- 87 - Drain Regulator
- 125 - Park Brake Port PB
- 126 - Dump Body Up Port BINUP
- 127 - Dump Body Down Port BINDOWN
- 128 - Load Sense Test Port LSD

Rear Hydraulic System Manifold Operation

- 129 - Hydraulic Return Port DRAIN
- 130 - Dump Body Raise Check Valve
- 131 - Park Brake Supply Port PBS
- 132 - Dump Body Raise Load Sense Check Valve
- 133 - Strainer
- 134 - Load Sense Generation Port LSGEN
- 135 - Load Sense Port LSF
- 136 - Axle Cooling Supply Port AXLE
- 137 - Priority Valve Load Sense Check Valve
- 138 - Axle Cooling Load Sense Port LSAX
- 139 - LSAX Check Valve
- 140 - Dump Body Down Load Sense Check Valve
- 141 - Main Pump Pressure Outlet POUT
- 142 - Main Pump Pressure Inlet PUMP
- 143 - Rear Hydraulic System Manifold Return Port T
- B15 - Park Brake Pressure Sensor
- B79 - Load Sense Pressure Sensor
- Y23 - Dump Body Down Control Solenoid
- Y24 - Dump Body Up Control Solenoid
- Y45 - Park Brake Release Solenoid 2
- Y46 - Park Brake Release Solenoid 1
- Y74 - Load Sense Generation Valve Solenoid
- Y75 - Dump Body Raise Rod Oil Return Solenoid
- Y77 - Dump Body Lower Head Oil Return Solenoid
- Y78 - Dump Body Rod End Float Solenoid
- Y79 - Dump Body Head End Float Solenoid



TX1220160-UN: Rear Hydraulic System Manifold—Schematic

LEGEND:

48 - Rear Hydraulic System Manifold