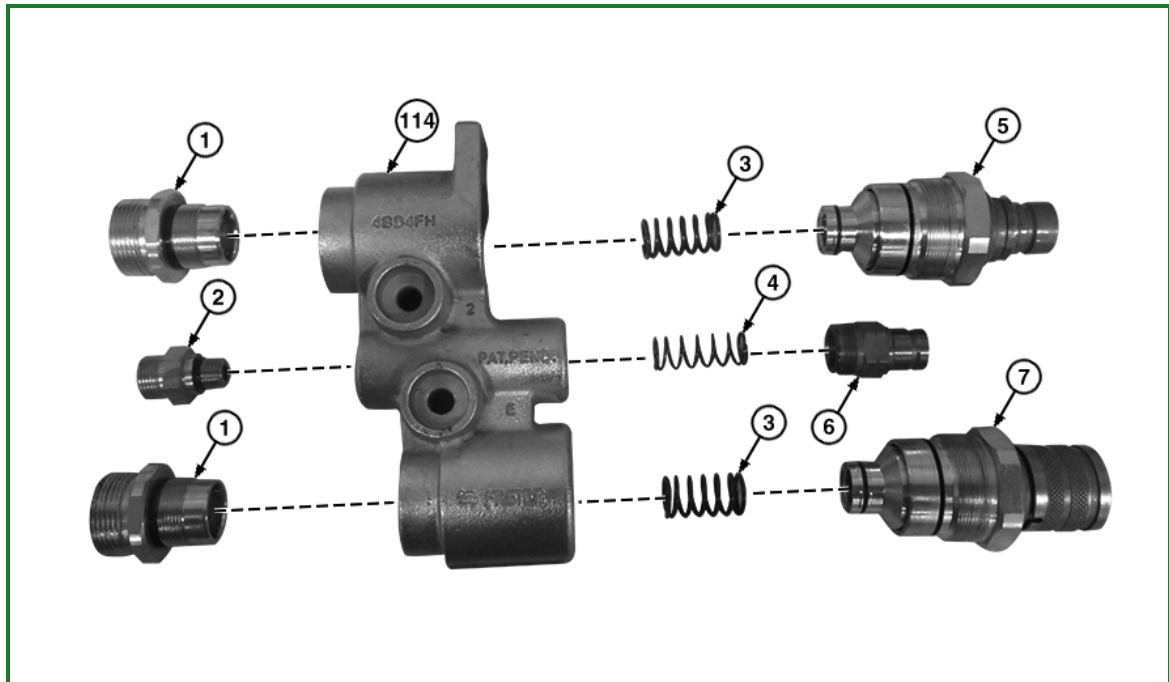


## Auxiliary Coupler Manifold Disassemble and Assemble

### DISASSEMBLE

1.



#### TX1223480A-UN: Auxiliary Coupler Manifold

##### **LEGEND:**

- 1 - Fitting (2 used)
- 2 - Fitting
- 3 - Spring (2 used)
- 4 - Spring
- 5 - Male Coupler
- 6 - Male Coupler
- 7 - Female Coupler
- 114 - Auxiliary Coupler Manifold

Remove front attachment and park machine on flat, level surface.

2. Remove auxiliary coupler manifold. [See Auxiliary Coupler Manifold Remove and Install-If Equipped .](#) (Group 3160.)
3. Apply alignment marks on fittings to aid in assembly.
4. Disassemble components as shown.
5. Clean and inspect parts. Replace as necessary.

### ASSEMBLE

Assemble components.

- Apply clean oil to O-rings before assembling.
- Use alignment marks to aid in tightening fittings.

