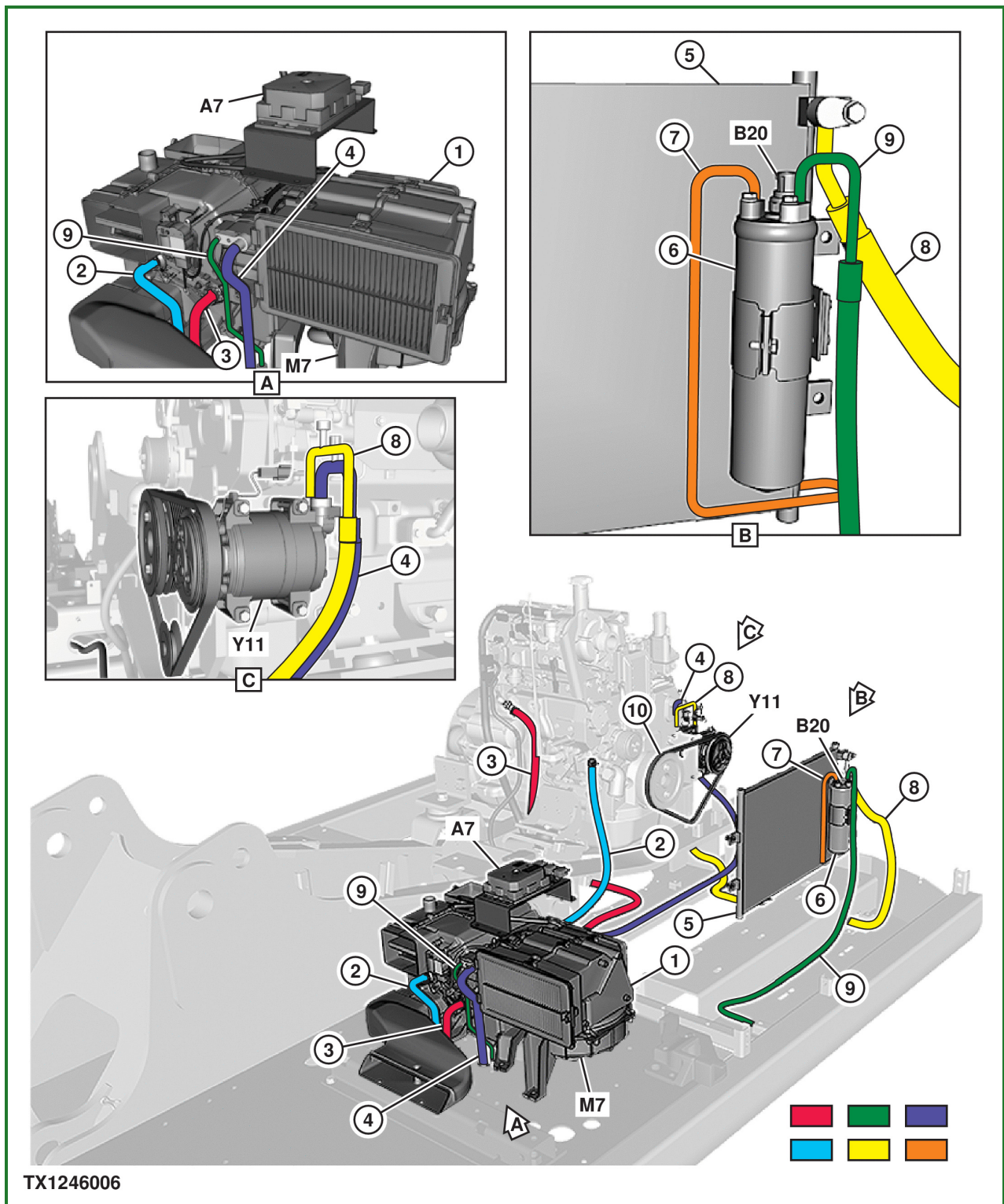


## Heater and Air Conditioner Component Location



### TX1246006-UN: Heater and Air Conditioner Component Location

**LEGEND:**

- 1 - Heater and Air Conditioner Unit
- 2 - Heater Return Line
- 3 - Heater Supply Line
- 4 - Evaporator-to-Compressor Low-Pressure Line
- 5 - Condenser
- 6 - Receiver-Dryer
- 7 - Condenser-to-Receiver-Dryer High-Pressure Line
- 8 - Compressor-to-Condenser Line

9 - Evaporator-to-Receiver-Dryer Line

10 - Compressor Drive V-Belt

A7 - Air Conditioner Controller (ACF)

B20 - Air Conditioner High/Low-Pressure Switch

M7 - Air Conditioner and Heater Blower Motor

Y11 - Air Conditioner Compressor

Go to [Section\\_9031:Group\\_15](#)

JN86345,0000268-19-20171020