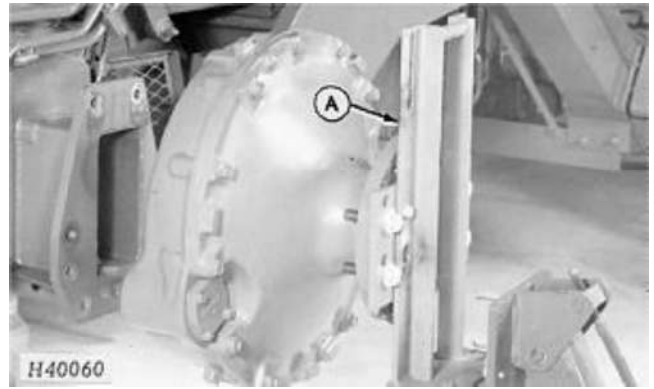
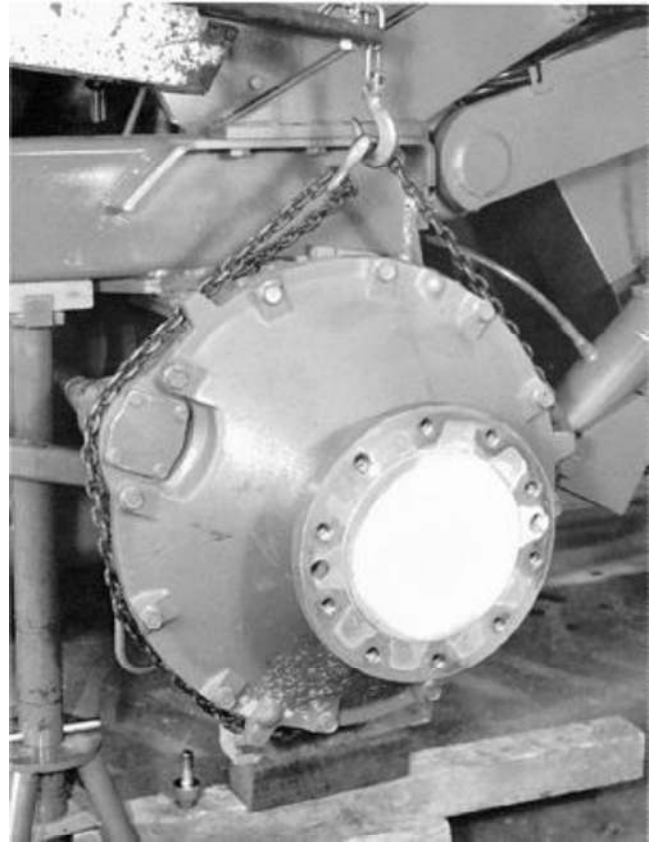


**CAUTION:** Final drive weights approximately 218 kg (480 lb), or 274 kg (605 lb) if removed with skip-row axle spacer. Use care to avoid injury when removing final drive.

7. Attach service jack adapter (JT05874) (A) to final drive. If service jack adapter is not available, use a fork lift or hoist with a chain wrapped around housing, inside retainer lugs (as shown).



H40060 -UN-10OCT88



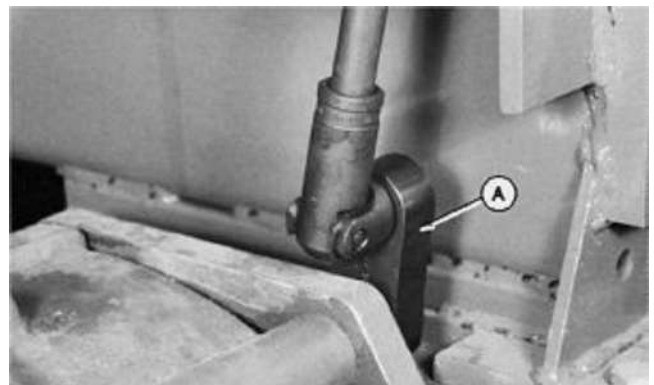
N89167AN1 -UN-12JUN90

NX,5015,I -19-29MAR90

8. Lift final drive slightly to take load off bolts.

9. Remove six final drive attaching bolts using JDG234 Adapter (A).

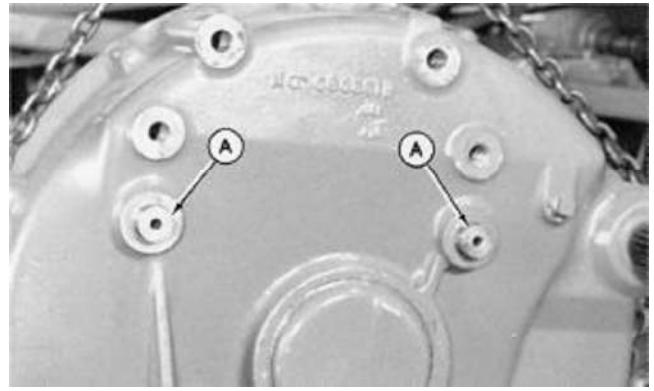
10. Move final drive away from frame or spacer.



N89117H1 -UN-16MAR90

NX,5015,AG -19-29MAR90

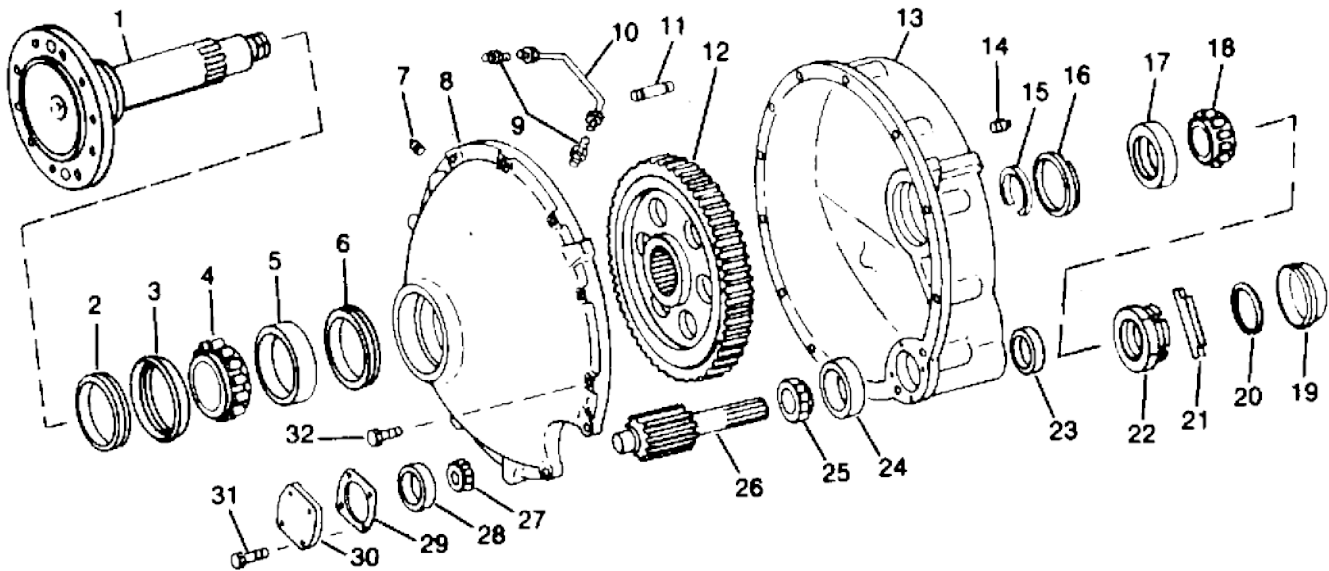
11. If dowel pins do not come out with the final drive, pull them from the axle and place them in final drive housing.



NX,5015,AH -19-29MAR90

N89167AM1 -JUN-16MAR90

## REPAIR FINAL DRIVE



- |                  |                       |                 |                   |
|------------------|-----------------------|-----------------|-------------------|
| 1—Axle           | 9—Fitting             | 17—Bearing Cup  | 25—Bearing Cone   |
| 2—Seal           | 10—Line               | 18—Bearing Cone | 26—Pinion Gear    |
| 3—Seal Cup       | 11—Dowel Pin (2 Used) | 19—Dust Cap     | 27—Bearing Cone   |
| 4—Bearing Cone   | 12—Ring Gear          | 20—Snap Ring    | 28—Bearing Cup    |
| 5—Bearing Cup    | 13—Inner Housing      | 21—Key          | 29—Gasket         |
| 6—Seal           | 14—Plug               | 22—Nut          | 30—Cap            |
| 7—Grease Fitting | 15—Snap Ring          | 23—Seal         | 31—Bolt (4 Used)  |
| 8—Outer Housing  | 16—Spacer             | 24—Bearing Cup  | 32—Bolt (12 Used) |

NX,5015,J -19-28SEP90

N39818 -JUN-12JUN90

50  
15  
6