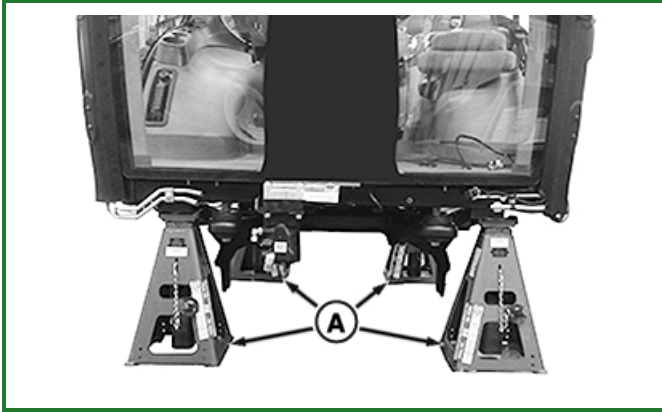
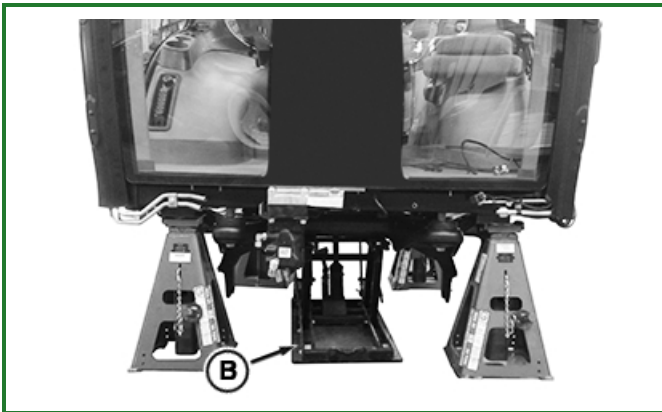


## Remove and Install Cross Bar

1.



RXA0164213-UN: Cab



RXA0164214-UN: Jack

**LEGEND:**

A - Jack Stands (4 used)

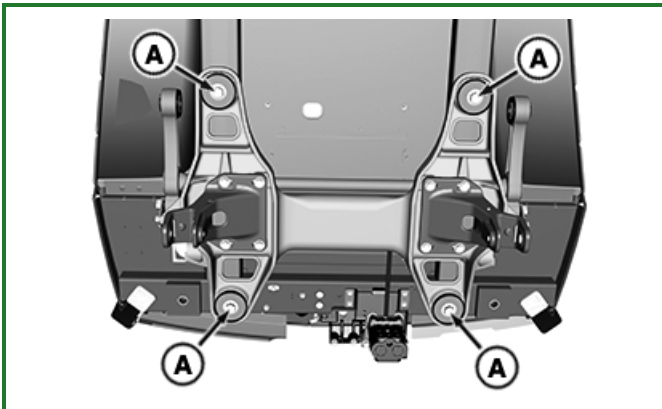
B - JDG1925 Mobile Lift

Remove cab. (See [Remove Suspended Cab](#) in Group 00.)

2. Place cab on jack stands (A).

3. Place JDG1925 Mobile Lift or equivalent jack under cab and raise until contacting crossbar.

4.



RXA0164298-UN: Mounting

**LEGEND:**

A - Crossbar Mounting Cap Screws (4 used)

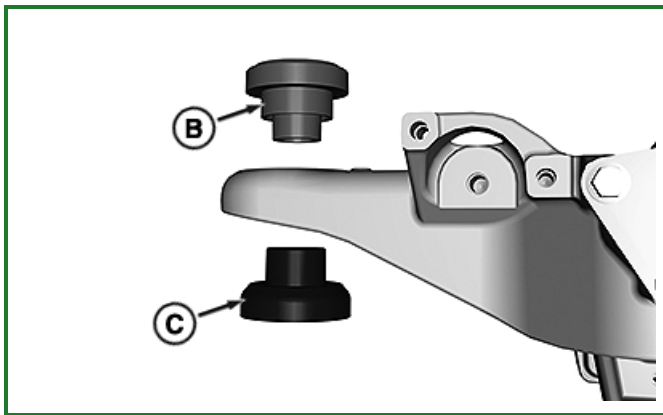
Remove crossbar mounting cap screws (A).

5. Lower lift and remove from under cab.
6. Remove torsion bar. (See [Remove and Install Torsion Bar](#) in this group.)
7. Remove stabilizer mounts. (See [Remove and Install Stabilizer Mount](#) in this group.)
8. Inspect and replace parts as necessary.
9. Install stabilizer mounts. (See [Remove and Install Stabilizer Mount](#) in this group.)
10. Install torsion bar. (See [Remove and Install Torsion Bar](#) in this group.)

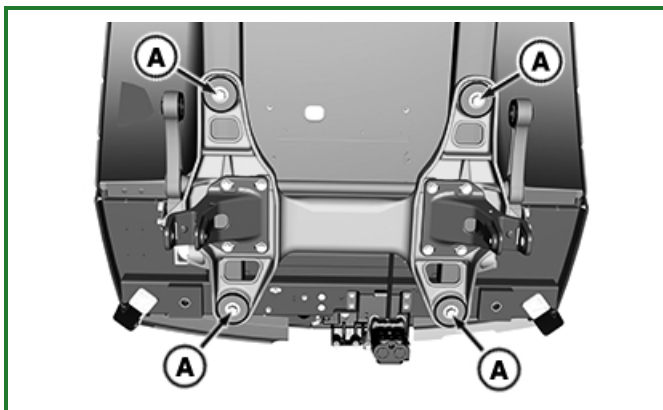
11.

**NOTE:**

*Inspect mounts (B) and replace as necessary.*



**RXA0164301-UN: Mounts**



**RXA0164298-UN: Install**

**LEGEND:**

A - Crossbar Mounting Cap Screws with Washers (4 used)

B - Mounts (4 used)

C - Rebound Washer (4 used)

Install mount (B) and rebound washer (C).

12. Position crossbar and lift under cab and raise aligning with mounting holes.