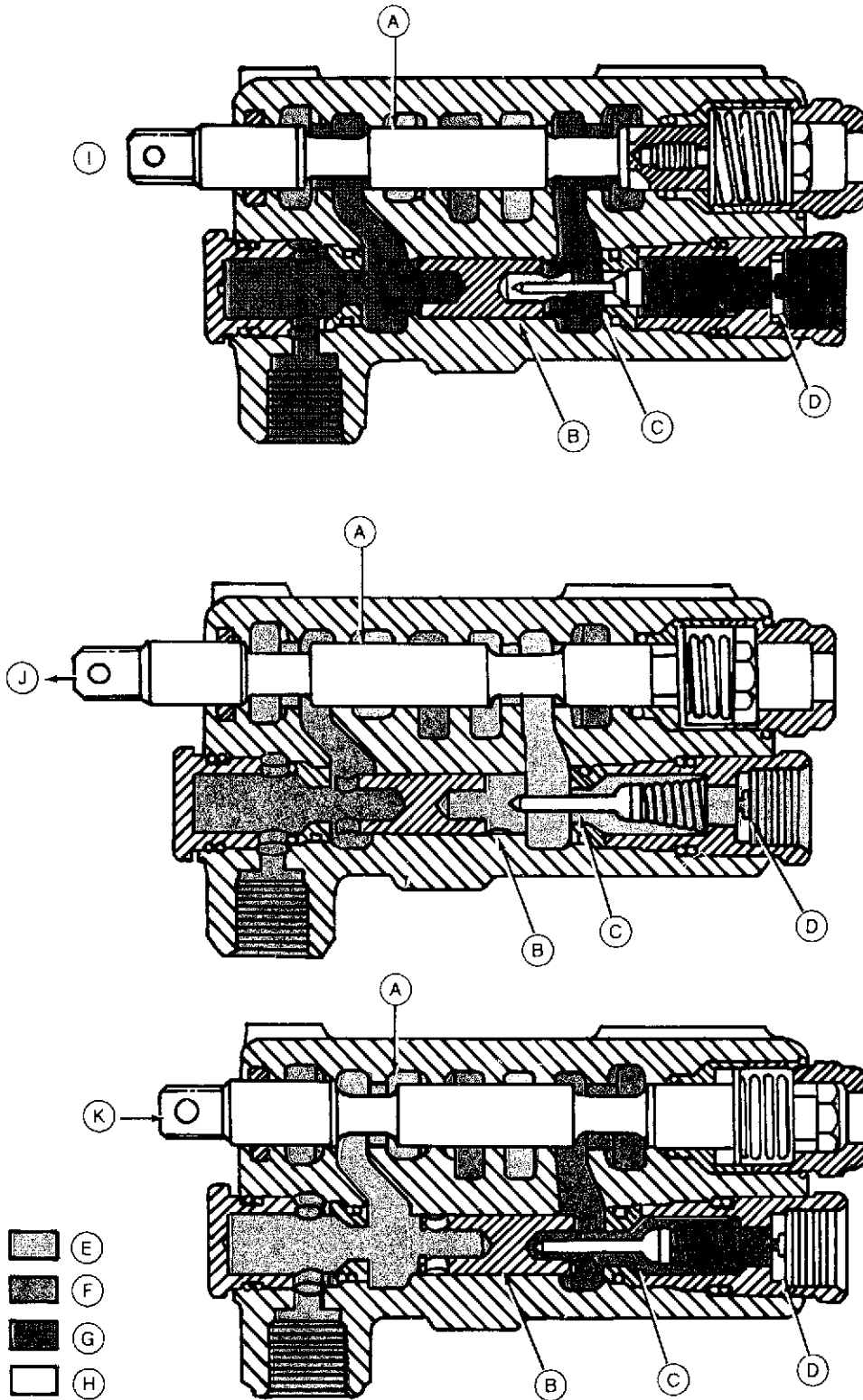


BASKET LIFT AND COMPACTOR SPOOL



270
25C
4

Main Control Valve Operation/General Information

A—Spool
B—Plunger
C—Poppet

D—Orifice Plate
E—High Pressure Oil
F—Return Oil

G—Trapped Oil
H—Restricted Oil
I—Neutral Oil

J—Raising Position
K—Lowering Position

Legend for Basket Lift Spool

With the spool (A) in the neutral position (I), high pressure oil (E) is supplied to the spool by the pump. Return oil (F), which has leaked by the spools, does not have sufficient pressure to unseat poppet (C), resulting in trapped oil (G) between poppet and reservoir.

To lift the basket, the spool is moved out (J). Oil then flows under pressure to the lift cylinders. To lower the basket, the spool is moved in (K), allowing oil to escape from the cylinders.

With the basket lowered, holding the spool in supplies pressure oil to the hydraulic motors which operate the compactor augers. Return oil (F) is restricted (H) by orifice plate (D) and the valve in the reservoir filter cover.

IMPORTANT: The orifice plate in basket lift port must be installed with slot OUT as shown to provide proper operation.

NX,27025,AD -19-09SEP91

270
25C
5