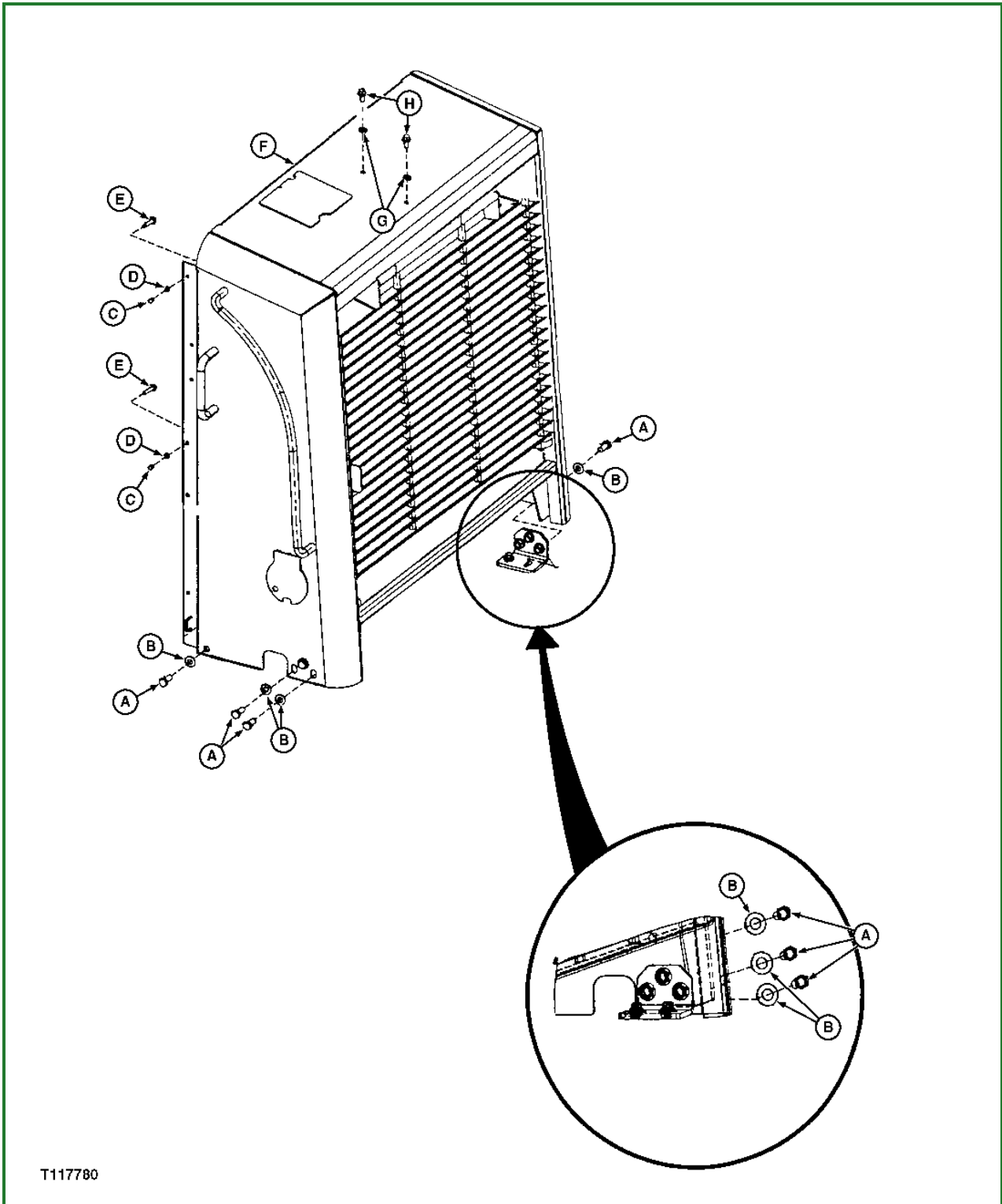


**Remove and Install Grille and Grille Housing (S.N. —581927)**



T117780

**T117780-UN: Remove & Install Grille/Grille Housing**

**LEGEND:**

- A - Cap Screw (8 used)
- B - Washer (8 used)
- C - Bumper (4 used)
- D - Nut (4 used)
- E - Cap Screw (4 used)
- F - Grille Housing
- G - Plug (2 used)
- H - Cap Screw (2 used)

1. Disconnect battery ground strap or turn battery disconnect switch "Off" if equipped.
2. **Remove hood** . (See Group 1910.)
3. **Install engine side shields** . (See Group 1910.)
4. Remove battery box covers.
5. Remove fan guard.
6. Disconnect rear wiring harness connector at grille housing.
7. Remove fuel tank filler neck with hose.
8. Remove four cap screws and remove radiator baffle plate.

9.

**⚠ CAUTION:*****Grille housing weighs approximately 111 kg (244 lb).******Grille screen weighs approximately 23 kg (50 lb).***

<b>Item</b>	<b>Measurement</b>	<b>Specification</b>
<b>Grille Housing Weight</b>		<b>111 kg (244 lb) approximate</b>
<b>Grille Screen Weight</b>		<b>23 kg (50 lb) approximate</b>

Install two 12 mm eyebolts in tapped holes in top of grille housing.

10. Attach a chain and hoist to the eyebolts.
11. Remove four grille housing-to-frame cap screws (E).
12. Remove two grille housing-to-oil cooler cap screws (H).
13. Remove eight radiator and oil cooler outside frame-to-grille housing cap screws (A).
14. Remove two door striker plates.
15. Carefully lift grille housing until it clears top of radiator and oil cooler.
16. Install grille housing using eyebolts, in conjunction with a chain and a hoist.
17. Install and tighten eight bottom grille housing-to-engine frame cap screws.
18. Install and tighten four radiator and oil cooler outside frame-to-grille housing cap screws.
19. Install two grille housing-to-oil cooler cap screws.
20. Install two door striker plates.
21. Install and tighten two grille housing-to-frame cap screws.
22. Connect rear wiring harness connector.
23. Install fuel tank filler neck with hose.