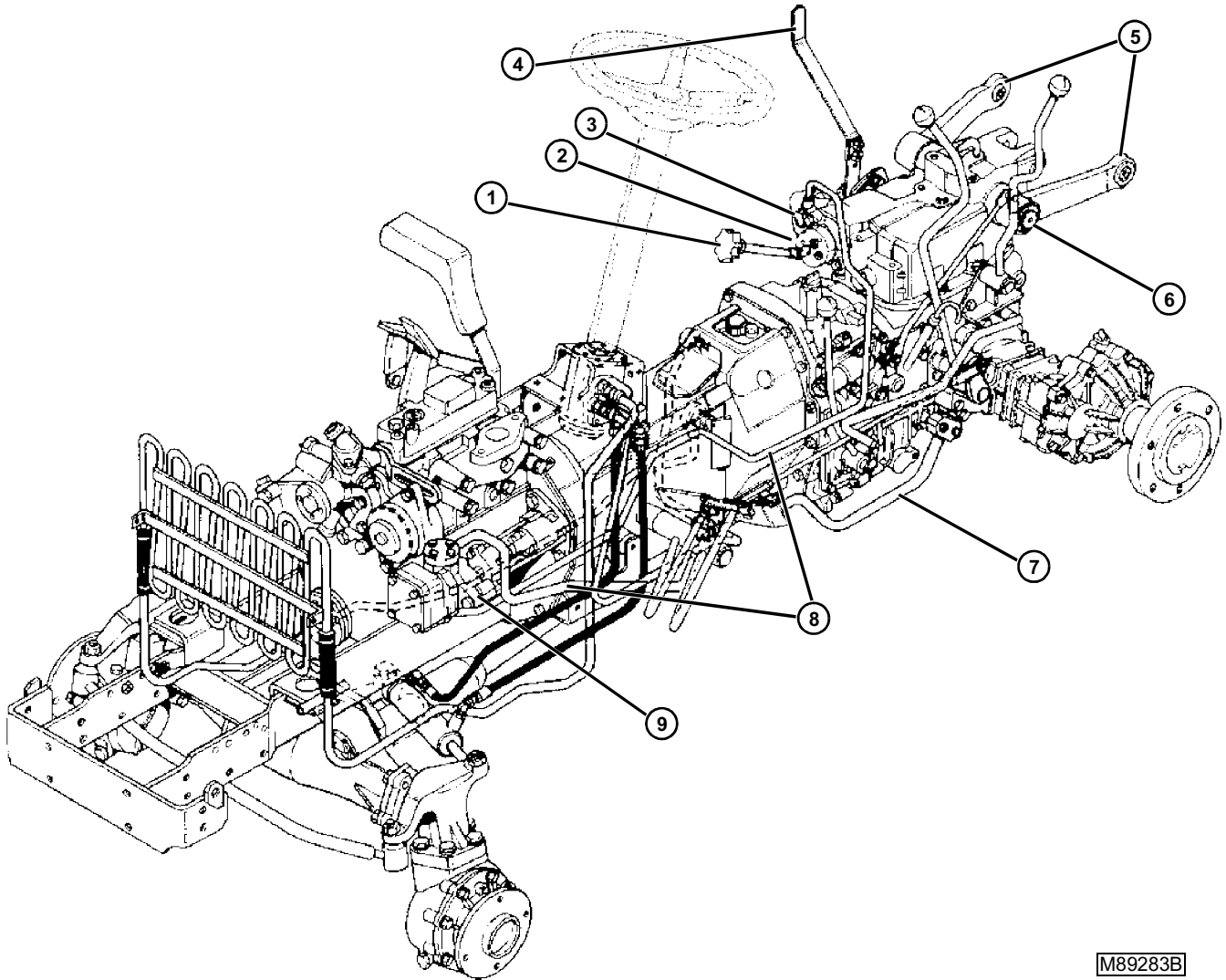


## COMPONENT LOCATION—HST

### GENERAL



M89283B



1. Speed Control

2. Rockshaft Control Valve

3. System Pressure Relief Valve

4. Operator Control,  
Rockshaft Raise/Lower

5. Lift Arms

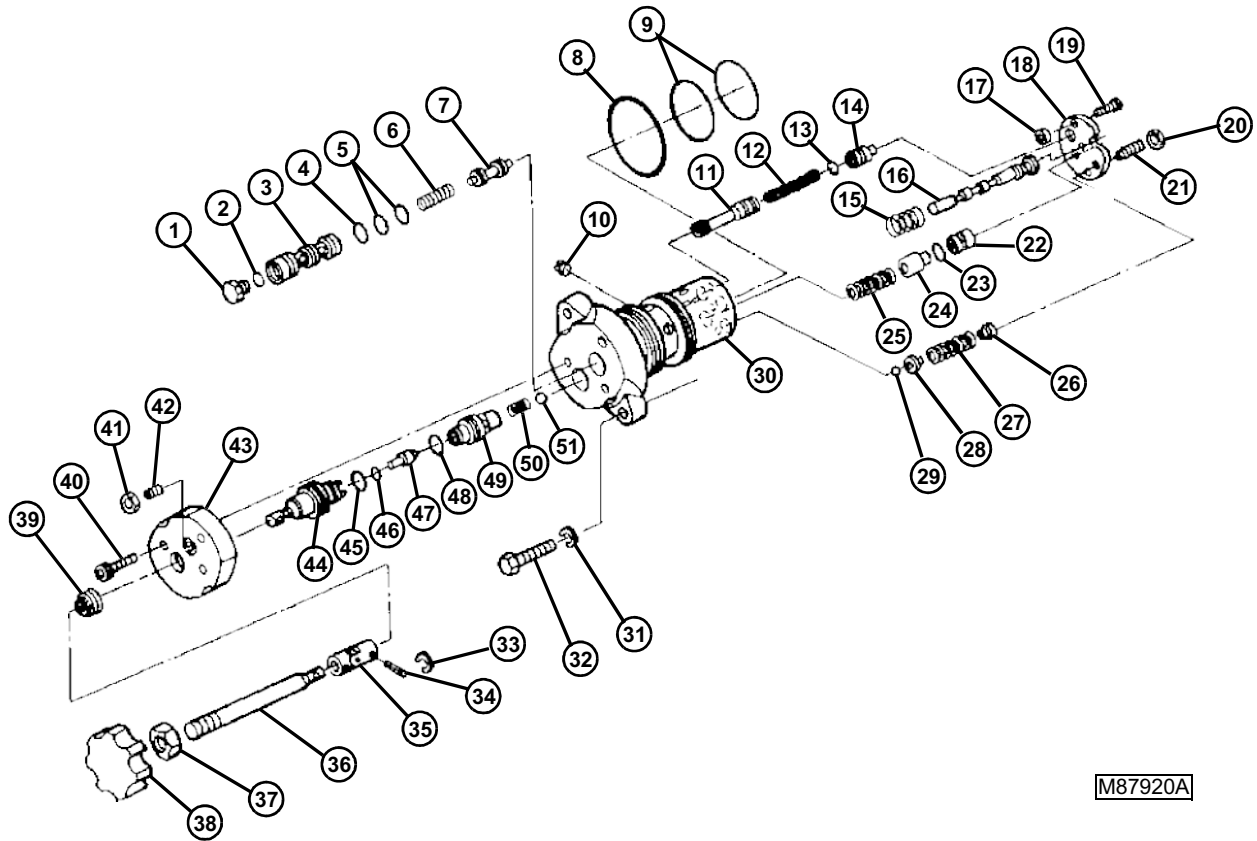
6. Rockshaft

7. Hydraulic Fluid Pick Up Line

8. Hydraulic Fluid High Pressure Line

9. Hydraulic Pump

ROCKSHAFT CONTROL VALVE - COMPONENT LOCATION



M87920A



- |                  |                              |                           |                  |
|------------------|------------------------------|---------------------------|------------------|
| 1. Plug          | 17. Spacer (x3)              | 31. Lock Washer           | 45. O-Ring       |
| 2. O-Ring        | 18. End Plate                | 32. Cap Screw             | 46. O-Ring       |
| 3. Valve Body    | 19. Socket Head Screw(x3)    | 33. Spring Clip           | 47. Needle Valve |
| 4. O-Ring        | 20. Lock Nut                 | 34. Pin                   | 48. O-Ring       |
| 5. O-Rings       | 21. Adjustment Screw         | 35. Universal Joint       | 49. Valve Body   |
| 6. Spring        | 22. Valve Seat               | 36. Rod                   | 50. Spring       |
| 7. Spool         | 23. O-Ring                   | 37. Lock Nut              | 51. Ball         |
| 8. O-Ring        | 24. Valve                    | 38. Knob                  |                  |
| 9. O-Ring        | 25. Spring                   | 39. Boot                  |                  |
| 10. Orifice Plug | 26. Spring Keeper            | 40. Socket Head Cap Screw |                  |
| 11. Spool        | 27. Spring                   | 41. Lock Nut              |                  |
| 12. Spring       | 28. Ball Seat                | 42. Set Screw             |                  |
| 13. O-Ring       | 29. Ball                     | 43. Cover                 |                  |
| 14. Plunger      | 30. Speed Control Valve Body | 44. Speed Control Valve   |                  |
| 15. Spring       |                              |                           |                  |
| 16. Spool        |                              |                           |                  |