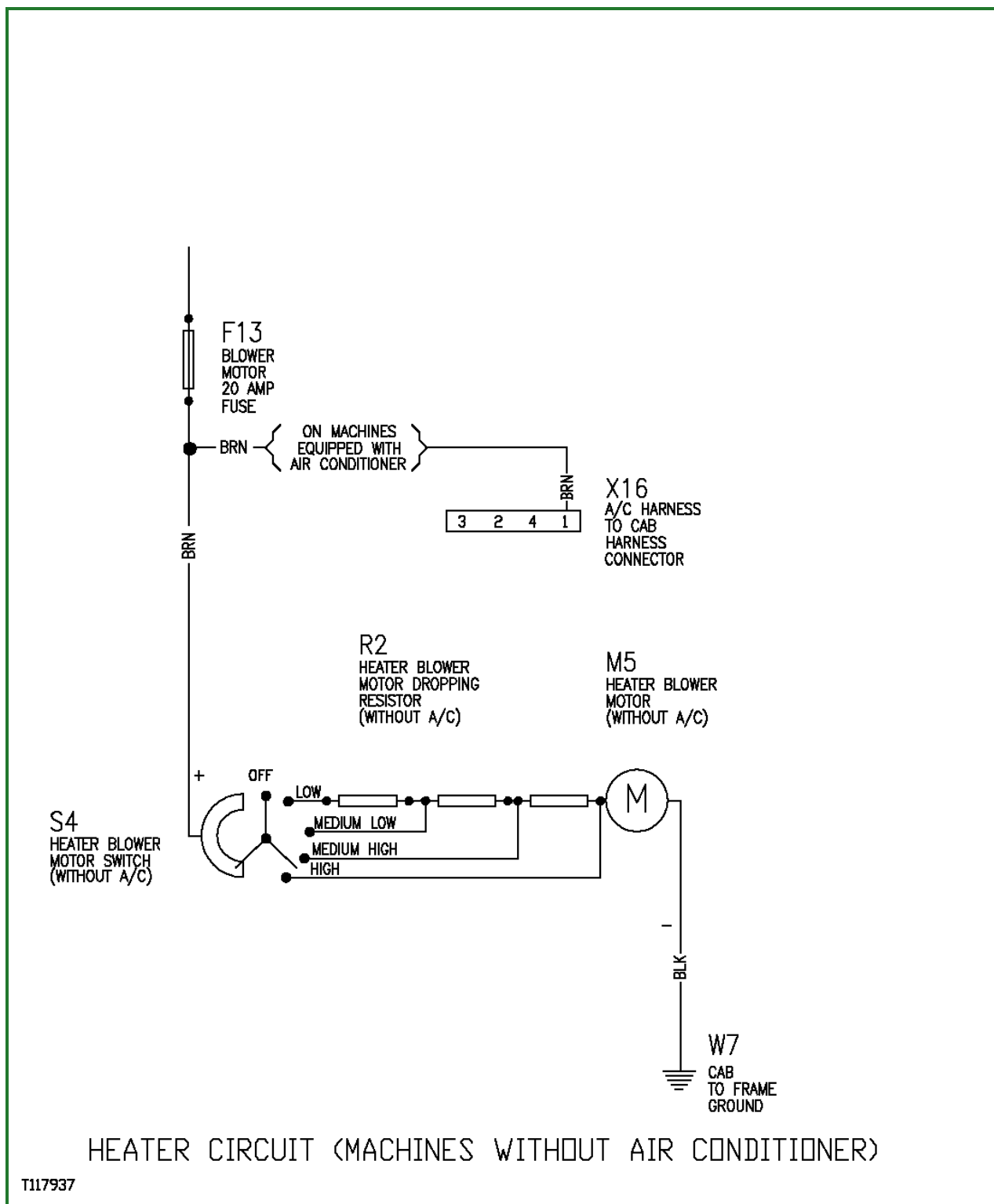


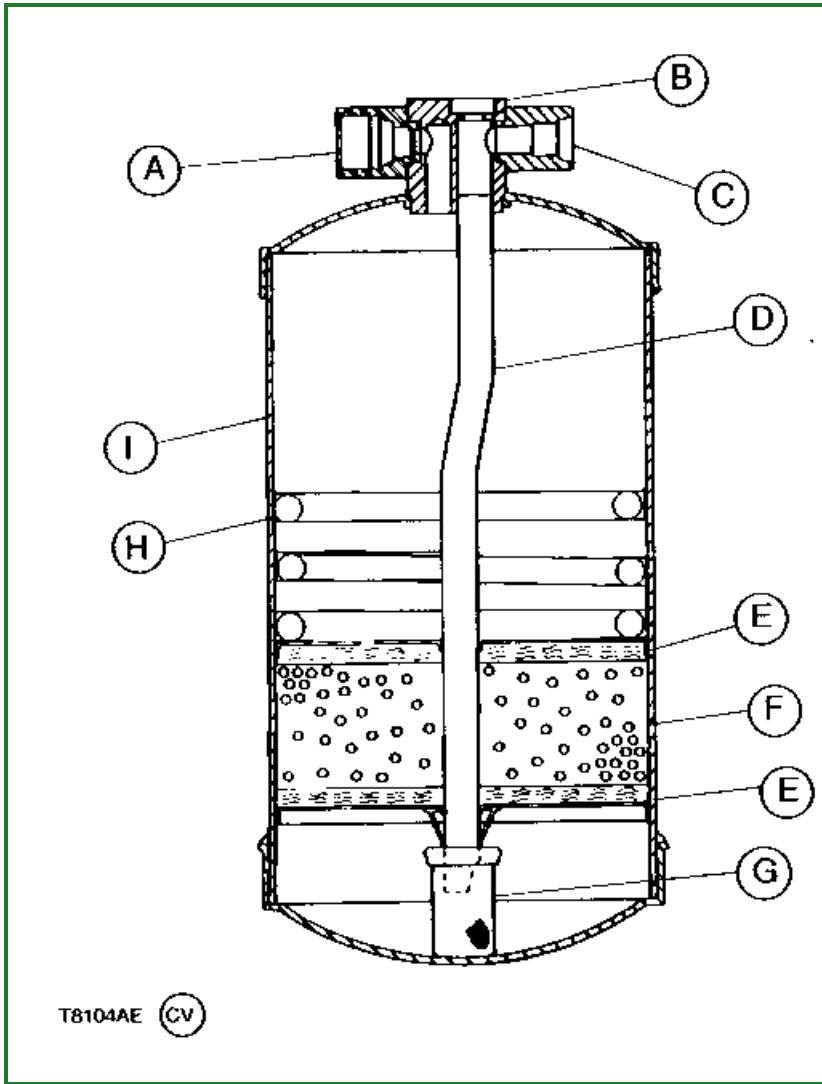
Heater Circuit (Machines Without Air Conditioner) Functional Schematic



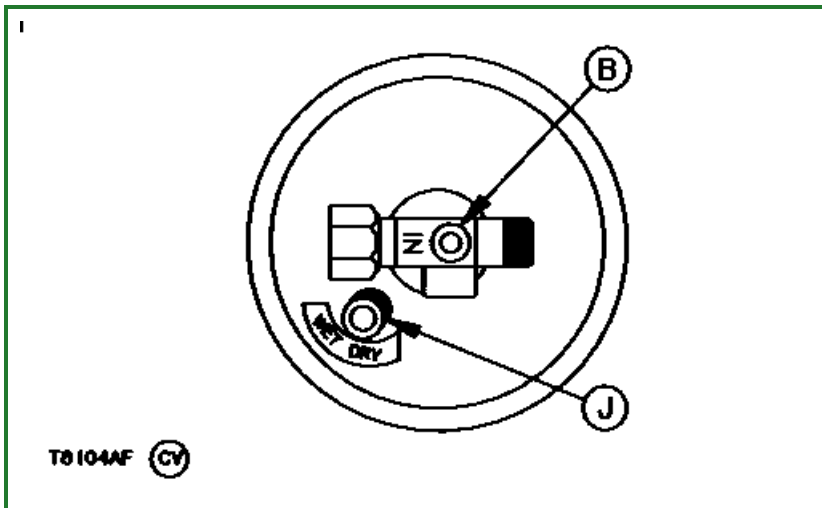
T117937-19: Heater Circuit Functional Schematic

CED, TX02661, 251-19-1998/11/04

Receiver/Dryer Operation



T8104AE-UN: Receiver/Dryer



T8104AF-UN: Sight Glass

LEGEND:

- A - Inlet Port
- B - Sight Glass
- C - Outlet Port
- D - Pickup Tube
- E - Filter