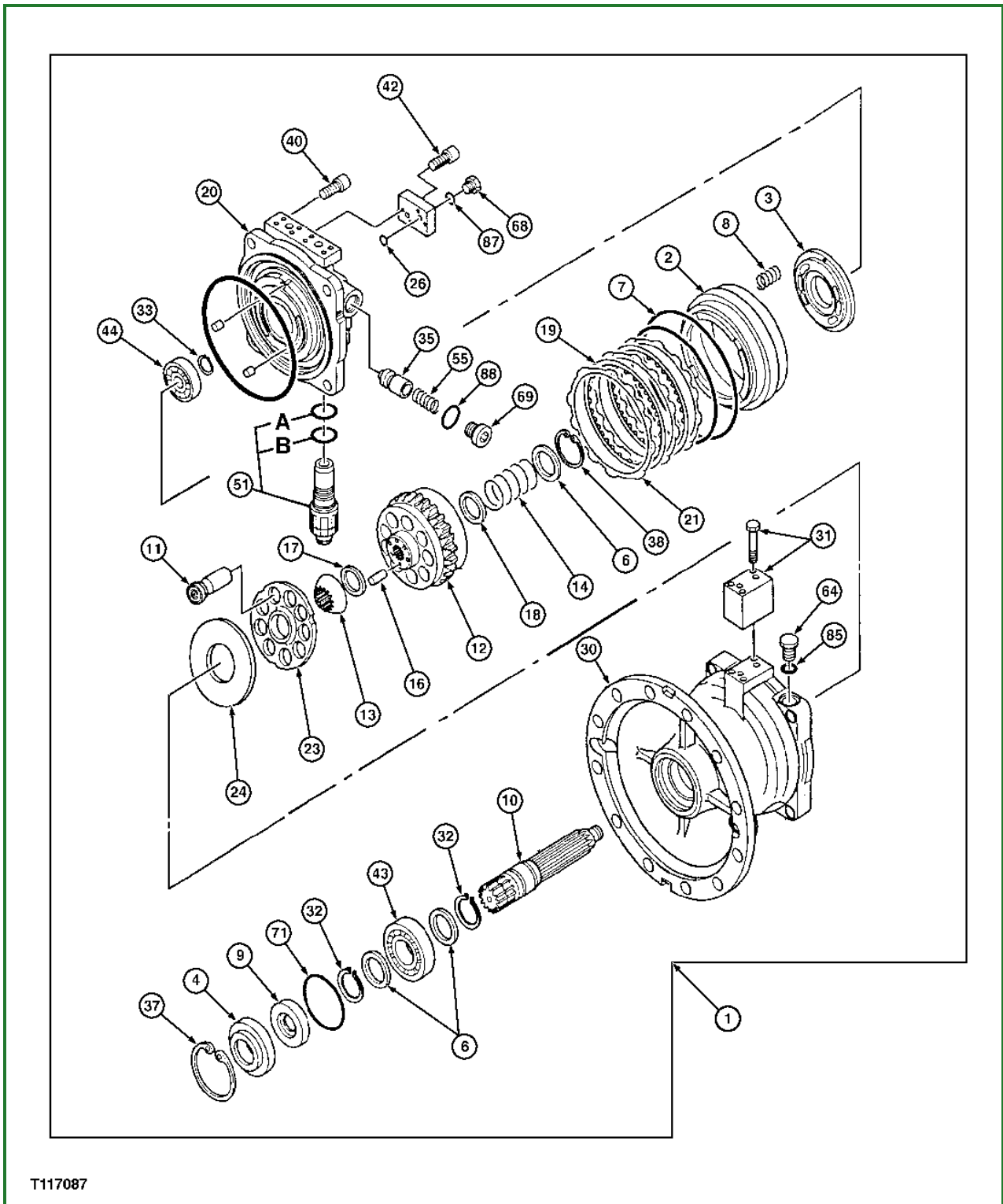


### Assemble Swing Motor and Park Brake



T117087

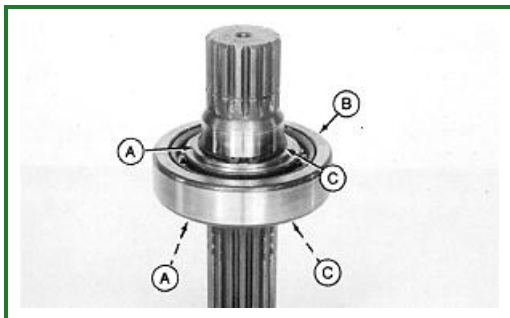
#### T117087-UN: Assemble Swing Motor and Park Brake

**LEGEND:**

- 1 - Swing Motor
- 2 - Brake Piston
- 3 - Valve Plate
- 4 - Cover
- 6 - 50 x 61 x 3 mm Top Washer (3 used)
- 7 - O-Ring
- 8 - Spring (24 used)
- 9 - Oil Seal

- 10 - Output Shaft
- 11 - Piston (9 used)
- 12 - Cylinder Block
- 13 - Ball Bushing
- 14 - Spring
- 16 - Force Pin (12 used)
- 17 - Washer
- 18 - 47 x 61 x 3 mm Bottom Washer
- 19 - Friction Disk (2 used)
- 20 - Valve Housing and Cover
- 21 - Separator Plate (3 used)
- 23 - Retainer
- 24 - Thrust Plate
- 26 - Packing (2 used)
- 30 - Housing
- 31 - Park Brake Release Valve and Cap Screw
- 32 - Snap Ring (2 used)
- 33 - Snap Ring
- 35 - Make-Up Check Valve (2 used)
- 37 - Snap Ring
- 38 - Snap Ring
- 40 - Cap Screw (4 used)
- 42 - Cap Screw (4 used)
- 43 - Roller Bearing
- 44 - Roller Bearing
- 51 - Crossover Relief Valve (2 used)
- 51A - O-Ring and Backup Ring (2 used)
- 51B - Backup Ring
- 55 - Spring (2 used)
- 64 - Plug
- 68 - Plug (2 used)
- 69 - Plug (2 used)
- 71 - O-Ring
- 85 - O-Ring
- 87 - O-Ring (2 used)
- 88 - O-Ring (2 used)

1.



**T7966CX-UN: Output Shaft**