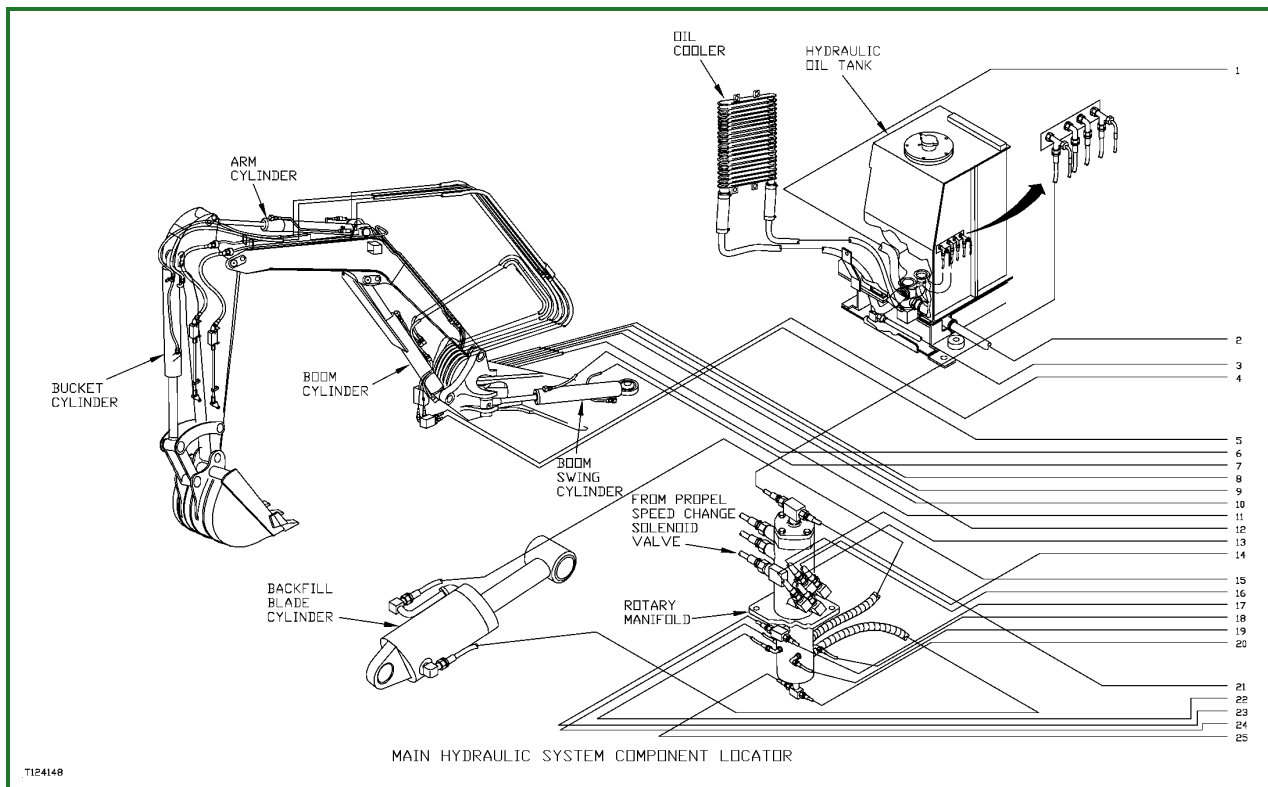
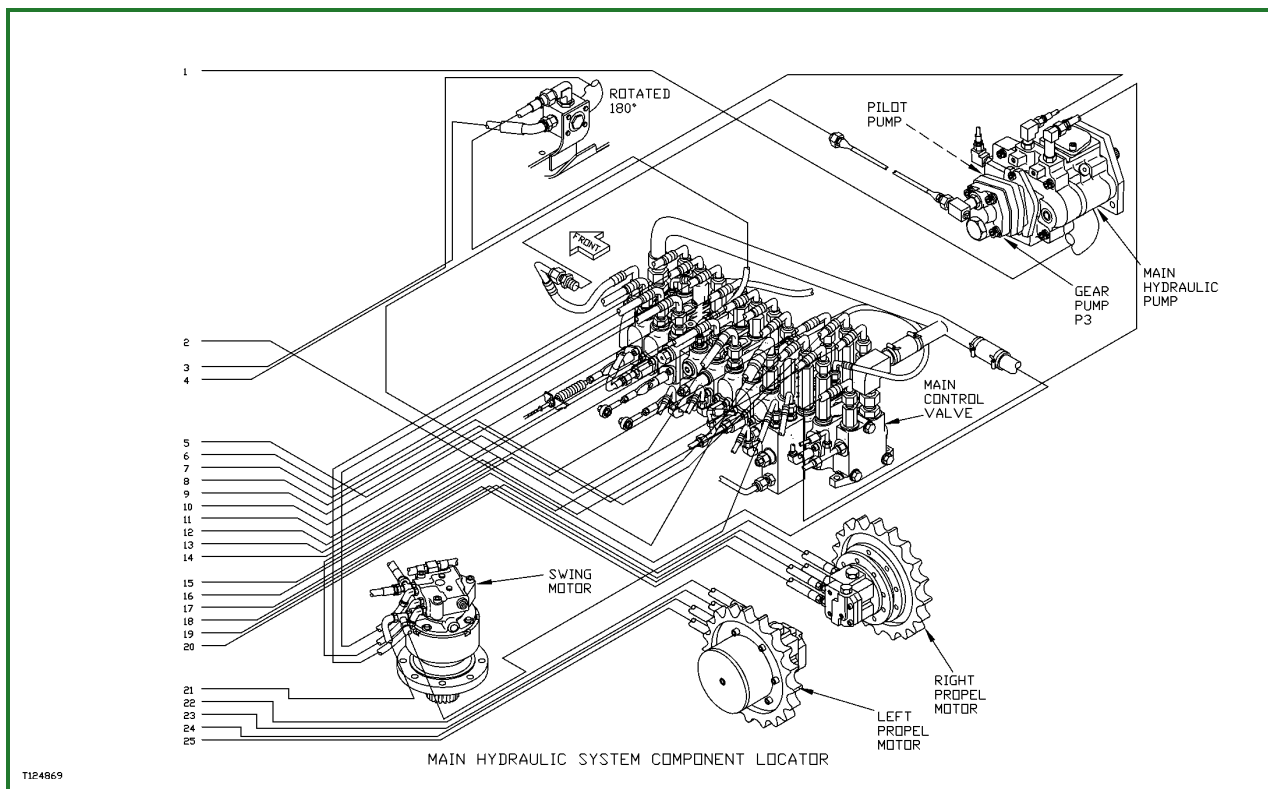


### Main Hydraulic System Component Location



T124148-19: Component Location

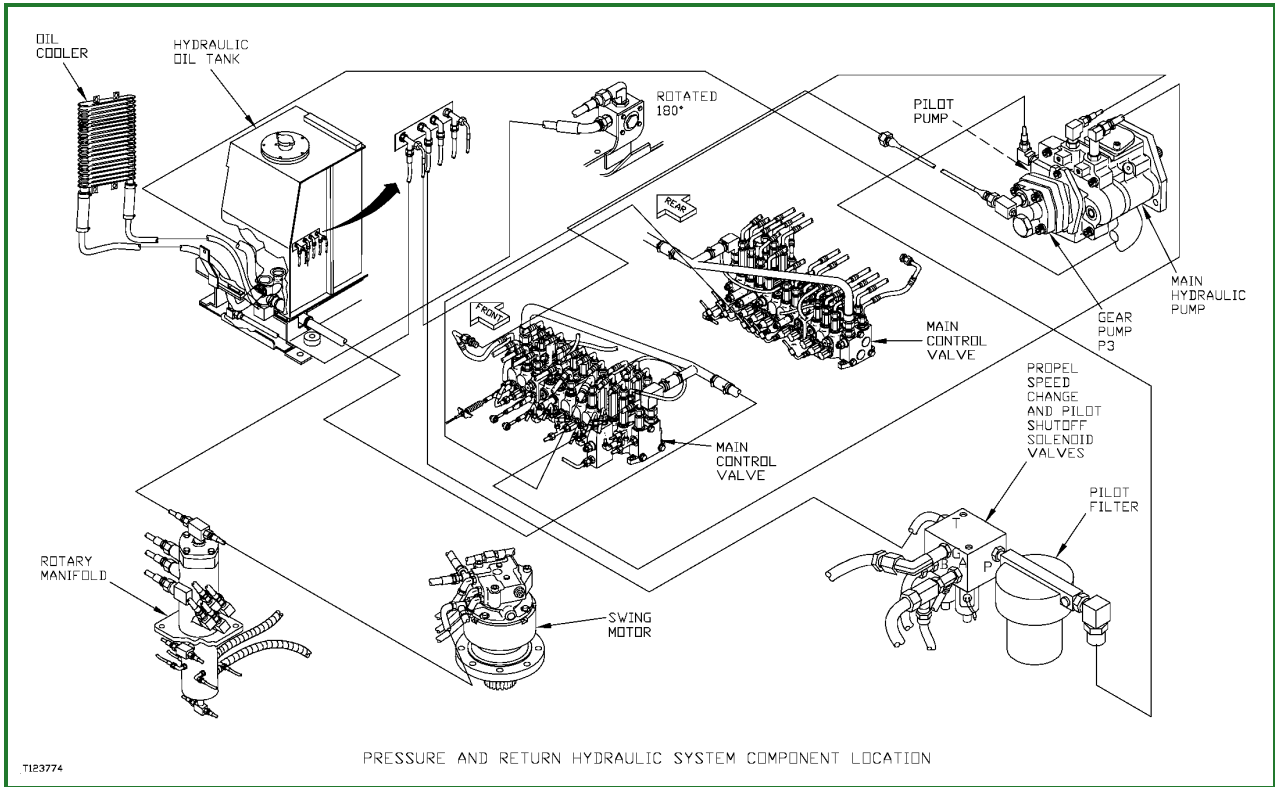


T124869-19: Component Location

Go to [Section\\_9025:Group\\_15](#)

CED,OUOE006,33-19-19990930

## Pressure and Return System Component Location



T123774-19: Pressure and Return System

Go to [Section\\_9025:Group\\_15](#)

CED,OUOE006,34-19-19990930