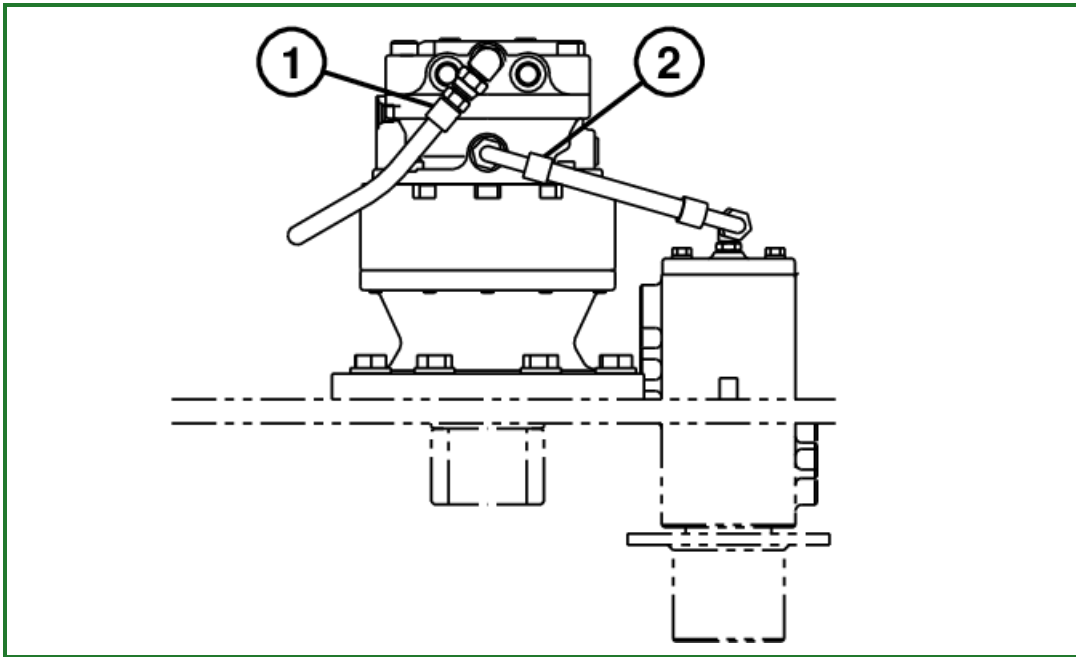


## Swing Motor Leakage Test



**T158486-UN: Swing Motor Drain Hose and Make-Up Oil Hose**

**LEGEND:**

- 1 - Make-Up Oil Hose
- 2 - Drain Hose

**-: Specifications**

SPECIFICATIONS	
<b>Swing Motor</b>	
Hydraulic Oil Temperature	45—55 °C (110—130 °F)
Engine Speed	Fast Idle
Swing Motor Leakage	0.5 or less L/min (17.0 or less oz/min) typical new while swinging

**-: Essential Tools**

ESSENTIAL TOOLS
JT03023 (9/16-18 F 37°) (Parker No. 06CP-6) Cap (2 used)
JT03391 (9/16-18 M 37°) (Parker No. 03CP-6) Plug (2 used)

**-: Service Equipment and Tools**

SERVICE EQUIPMENT AND TOOLS
JT05800 Digital Thermometer
Calibrated Container

Purpose of test is to check the efficiency of swing motor. Leakage can occur between the cylinder block and valve plate, and the slippers and swash plate when parts are worn or damaged.

1. Heat hydraulic oil to the specified temperature. [Perform Hydraulic System Warm-Up Procedure](#) . (Group 9025-25.)

Item	Measurement	Specification
Swing Motor		
Hydraulic Oil Temperature		45—55 °C (110—130 °F)

- Stop the engine.

Loosen hydraulic oil tank cap to release the air pressure in hydraulic oil tank.

- Disconnect drain hose (2) at the tee on the rotary manifold. Install a cap on rotary manifold port.

Place opposite end of drain hose (1) in a calibrated container.

- Disconnect the make-up oil hose at the swing motor. Install cap and plug on disconnected hose and swing motor port.

- 

**CAUTION:**

*To avoid personnel injury, clear area of all bystanders before doing test. Slowly swing through one complete revolution to ensure that the area is clear of objects before doing test.*

Raise and lower boom to pressurize hydraulic tank.

- Operate the machine at specifications.

Item	Measurement	Specification
Swing Motor		
Engine Engine Speed		Fast Idle

- Operate swing function for one minute. Record the amount of leakage. Repeat for swing in opposite direction. Record the amount of leakage. Compare amount of leakage to specifications.

Item	Measurement	Specification
Swing Motor Leakage		0.5 or less L/min (17.0 oz/min or less gpm)

If leakage is greater than specified, see [Swing Motor and Park Brake Remove and Install](#) . (Group 4360.)

- Connect drain hose and make-up oil hose to swing motor.

Go to [Section\\_9025:Group\\_25](#)

CED,OUOE003,1938-19-20020812