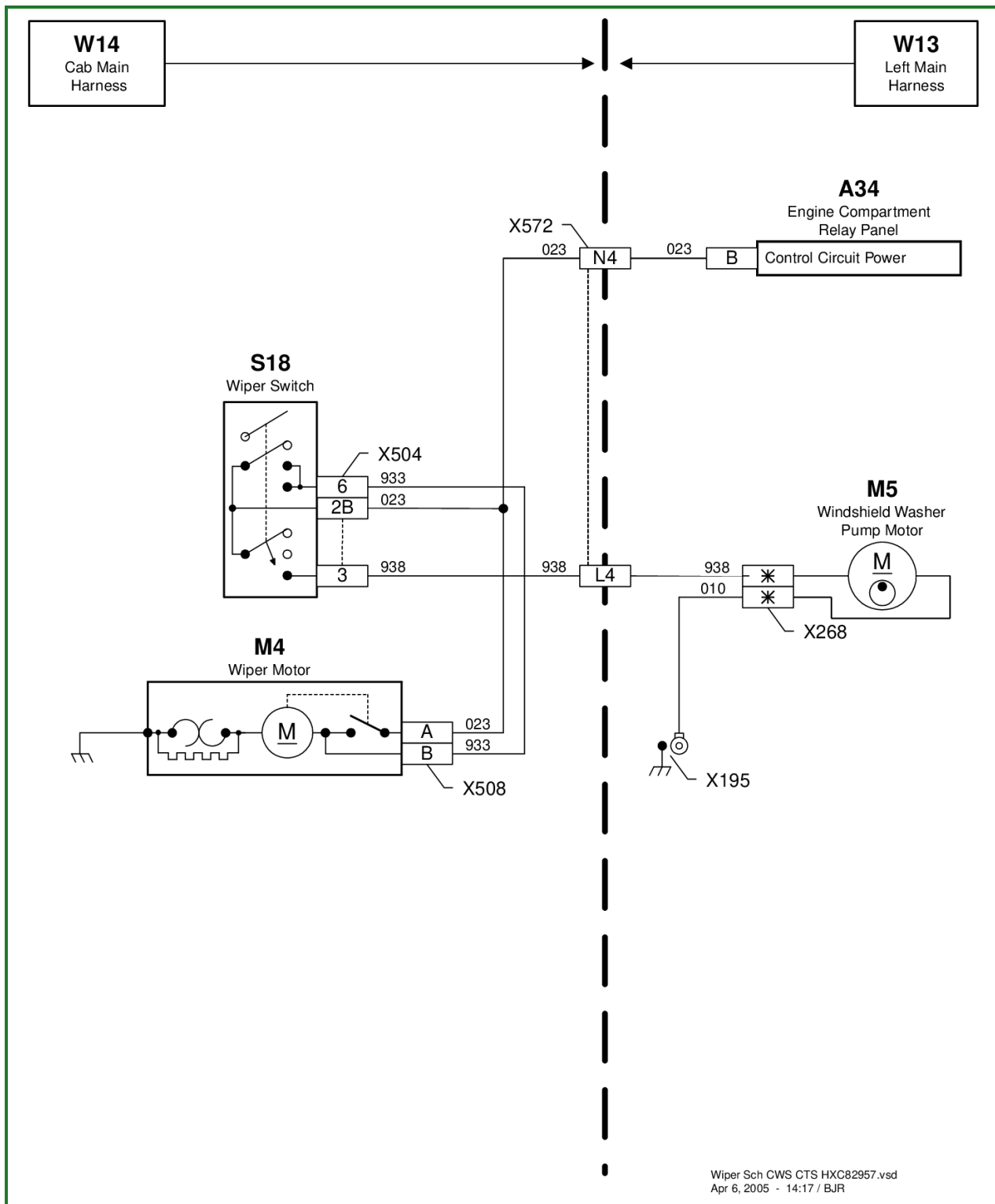


Electrical Schematics



HXC82957-UN: Electrical Schematic

LEGEND:

A34 - Engine Compartment Relay Panel

M4 - Wiper Motor

M5 - Windshield Washer Pump Motor

S1 - Key Switch

S3 - Start Aid Switch

S5 - Turn Signal Switch

S18 - Wiper Switch

W13 - Left Main Harness

W14 - Cab Main Harness

Go to [Section_240:Group_15EV](#)

HX05709,0004897-19-20030716