

# ELECTRICAL - EEC OPERATION AND DIAGNOSTICS

## Dome Light Circuit Operation

### Function:

Provides current for the dome light in either the always on or on with the door open positions.

### Operating Conditions:

- Key switch in any position
- S25 dome light switch in either the on or the on with door open position.

### Theory of Operation:

The S30 dome light switch has three positions:

- Always off

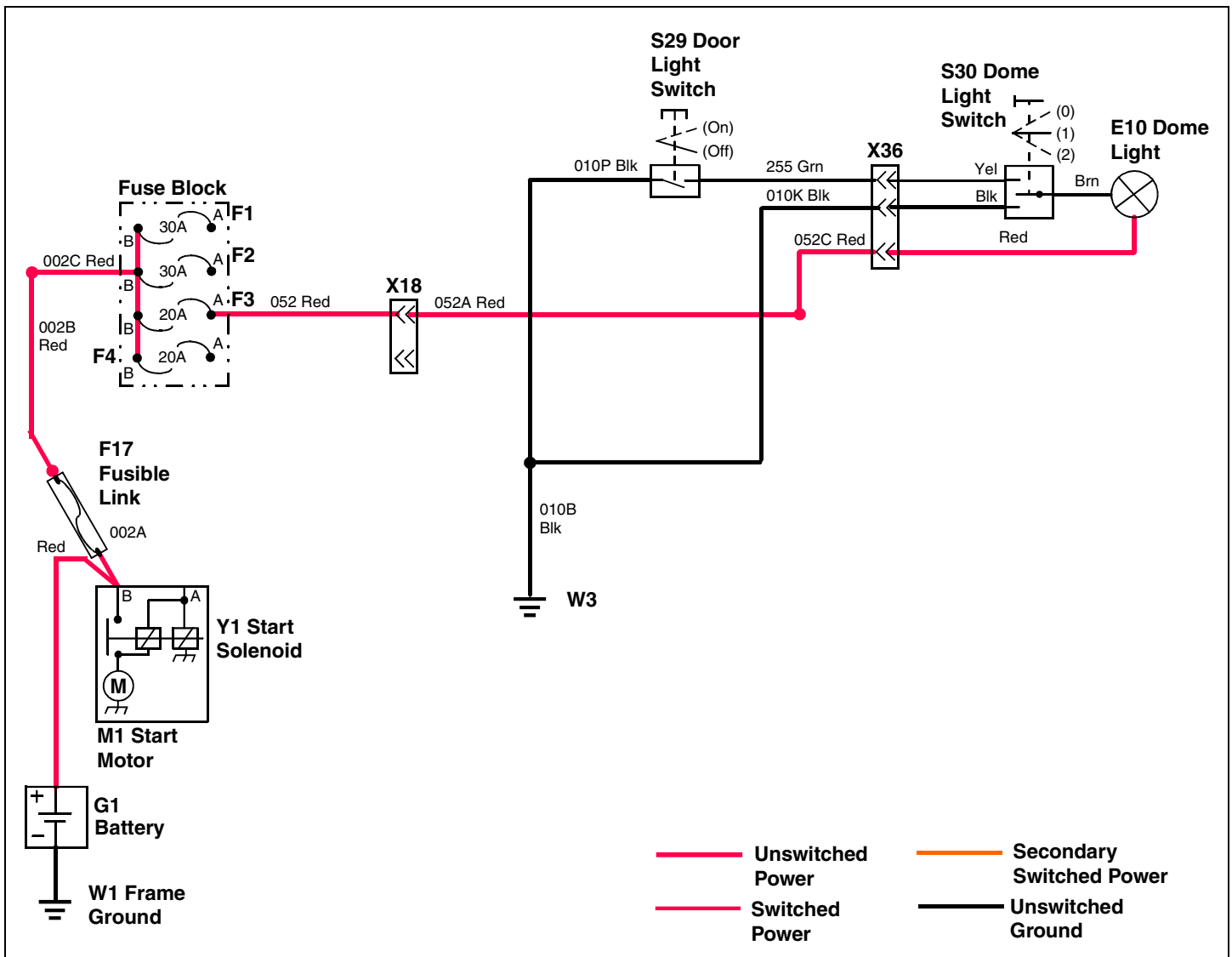
- Always on
- On with the S29 door switch (door open)

Unswitched power is delivered to the E10 dome light from the F3 fuse, 052, 052A, 052C, and dome light Red wires. With the S30 dome light switch in the always on position, a path to ground is provided by the Brn and Blk wires to the X36 connector and 010K and 010B Blk wires to the W3 cab ground.

In the on with door open position, the path to ground is provided by the Brn and Yel wires to the X36 connector, 255 Grn wire, through the S29 door switch (door open, contacts closed) to the 010P and 010B Blk wires to the W3 cab ground.

In the always off position, the S30 dome switch is in the center position with no contact to either ground path.

## Dome Lights Circuit Electrical Schematic



mif