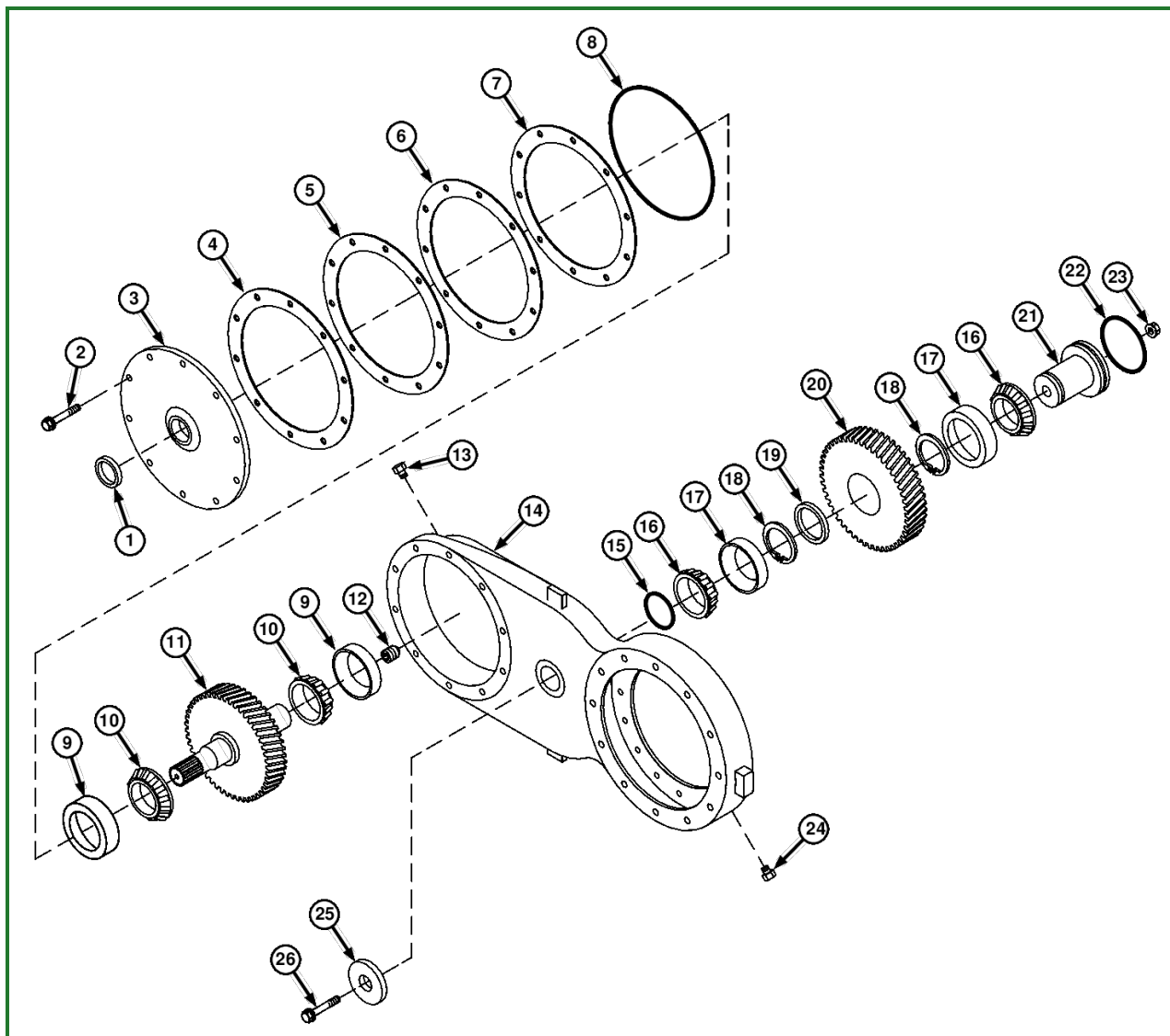


Disassemble and Assemble Transfer Gear Case



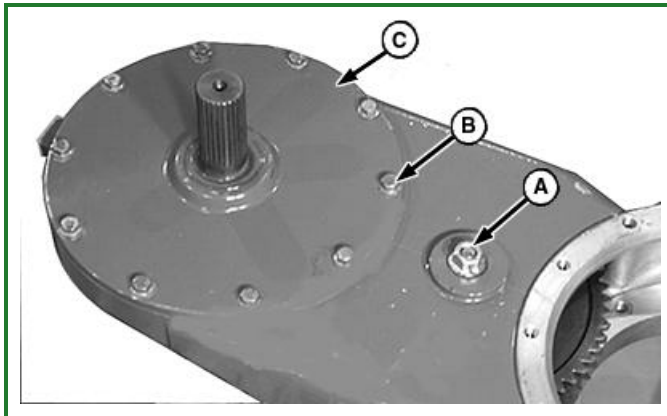
H70531-UN: Transfer Gear Case

LEGEND:

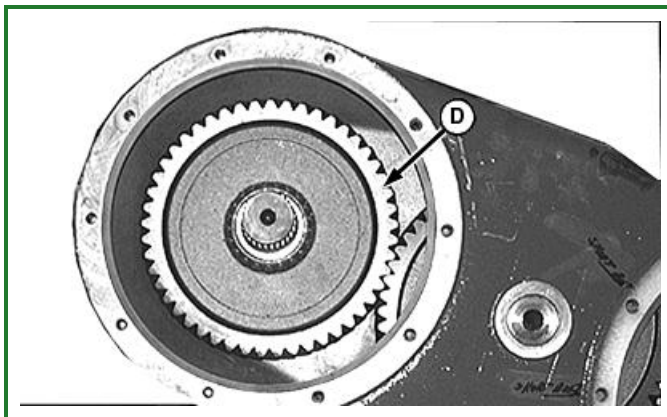
- 1 - Oil Seal
- 2 - Cap Screw (10 used)
- 3 - Cover Plate
- 4 - Shim Plastic 0.08 mm (2 used)
- 5 - Shim Steel 0.13 mm
- 6 - Shim Steel 0.25 mm
- 7 - Shim Steel 0.50 mm
- 8 - O-Ring
- 9 - Bearing Cup
- 10 - Bearing Cone
- 11 - Helical Gear, 49T Right-Hand
- 12 - Orifice
- 13 - Oil Plug
- 14 - Housing
- 15 - O-Ring
- 16 - Preset Bearing Matched Set
- 17 - Preset Bearing Matched Set
- 18 - Preset Bearing Matched Set

- 19 - Preset Bearing Matched Set
- 20 - Helical Gear, 58T Left-Hand
- 21 - Barrel
- 22 - O-Ring
- 23 - Nut
- 24 - Oil Plug
- 25 - Washer
- 26 - Hex Flange Bolt

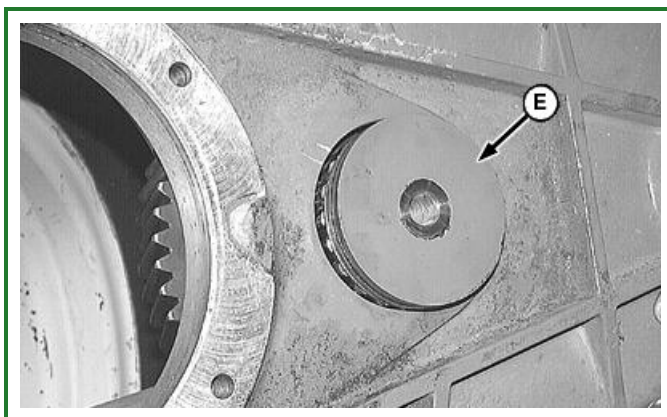
1. Remove nut (A) and cap screw.



H51718-UN: Transfer Case



H55001-UN: Transfer Case



H55546-UN: Barrel Transfer Case

LEGEND:

- A - Nut
- B - Cap Screws (10 used)
- C - Cover