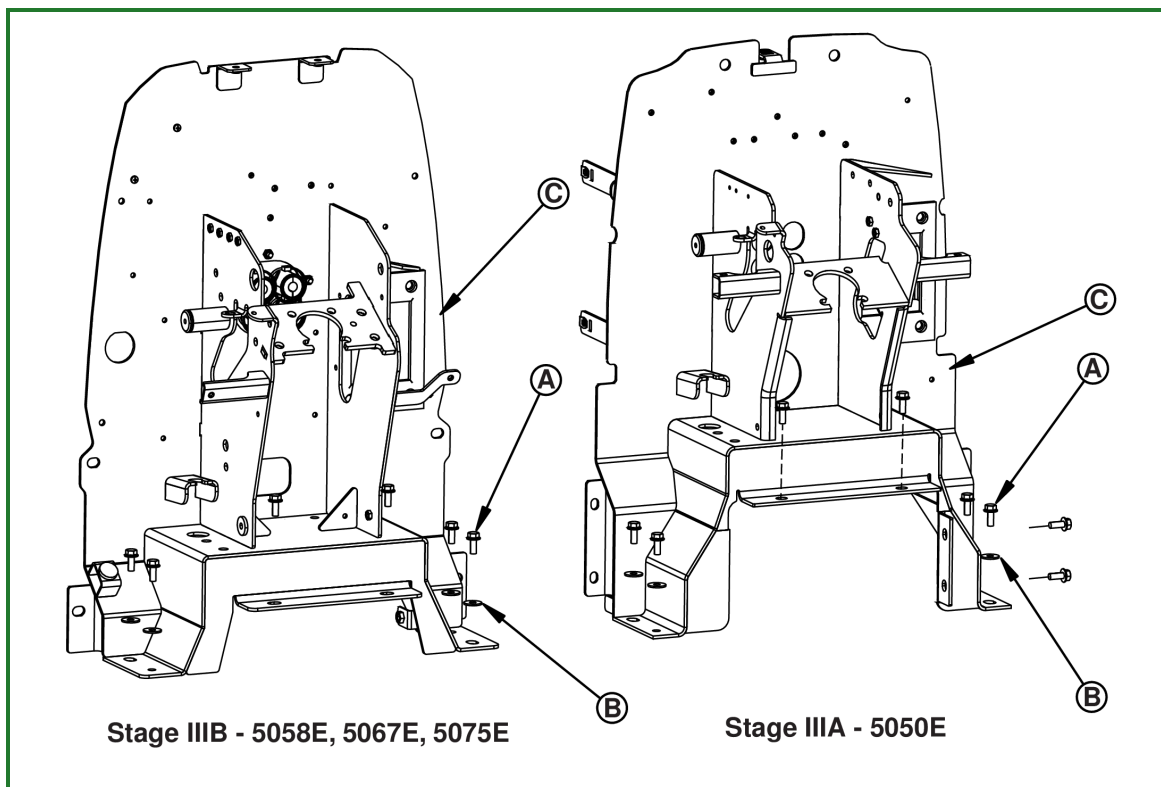


## Install Center Console Assembly

1.



### PY37277-UN: Consol Mounting

**LEGEND:**

A - Cap Screw

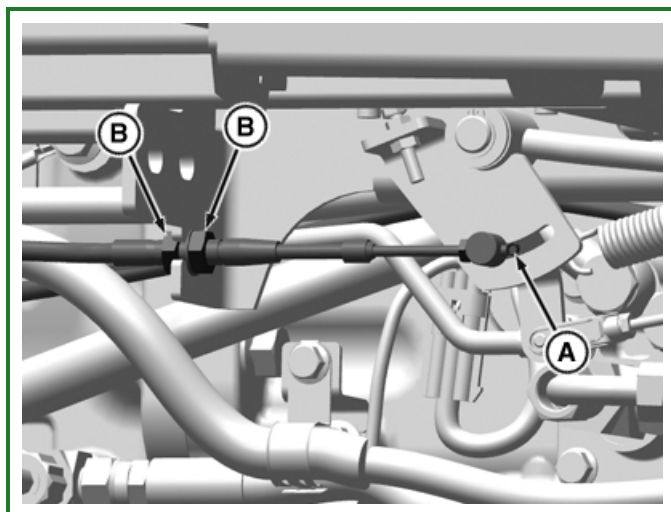
B - Washer (4 used)

C - Center Control Consol

Install center control console (C) on the tractor and tighten cap screws (A) along with washers (B) to specifications.

Item	Measurement	Specification
Center Control Consol Mounting Screw	Torque	35 N·m (26 lb-ft)

2.



### PY37282-UN: Throttle Linkage

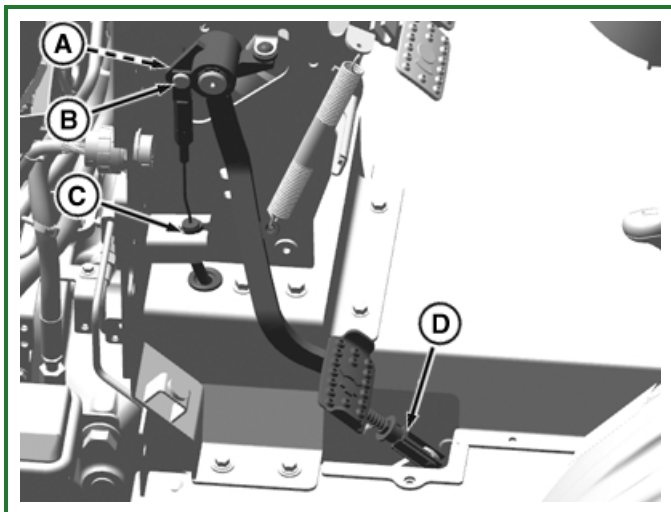
**LEGEND:**

A - Spring Locking Pin

B - Nut (2 used)

Connect foot to hand throttle linkage by installing spring locking pin (A) and nut (B).

3.



**PY37279-UN: Clutch Linkage**

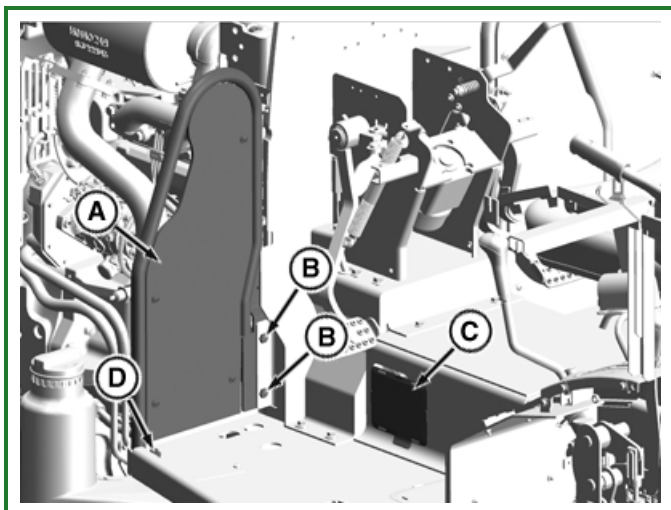
**LEGEND:**

- A - Spring Locking Pin
- B - Pin
- C - Snap Ring
- D - Spring Locking Pin

**For 9X3 TSS Transmission:** Connect clutch pedal linkage on the center control console by installing snap ring (C), pin (B), and locking pin (A).

4. Connect clutch pedal linkage from the clutch linkage by installing spring locking pin (A).

5.



**PY37278-UN: 5050E**

**LEGEND:**

- A - Handrail
- B - Cap Screw (2 used)
- C - Cover
- D - Cap Screw

Install handrail (A) by tightening two cap screw (B), nut, and cap screw (D). Torque to specifications.