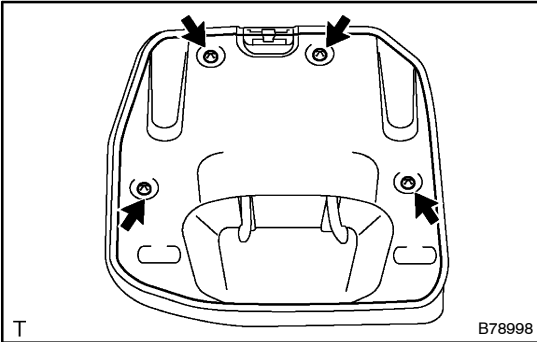
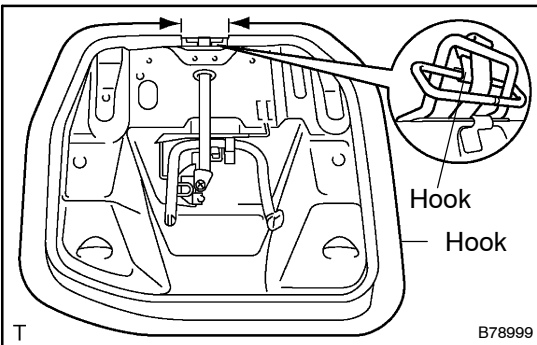


4. REMOVE REAR NO. 1 SEAT CUSHION COVER

- (a) Remove the screw and rear seat cushion lock cover.



- (b) Remove the 4 clips and rear seat cushion carpet under.

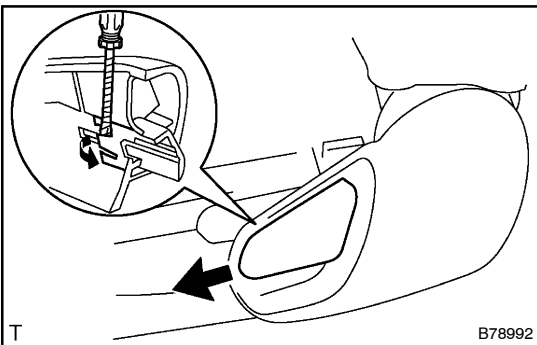


- (c) Using a screwdriver, disengage the hooks and seat cushion cover together with the pad.

HINT:

Tape the screwdriver tip before use.

- (d) Remove the hog rings and seat cushion cover.

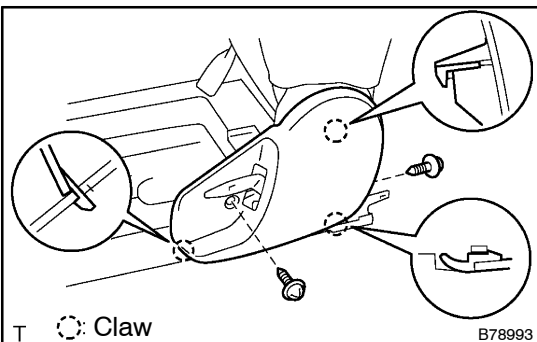


5. REMOVE RECLINING ADJUSTER RELEASE HANDLE NO.1 LH

- (a) Using a screwdriver, pry out the reclining adjuster release handle.

HINT:

Tape the screwdriver tip before use.

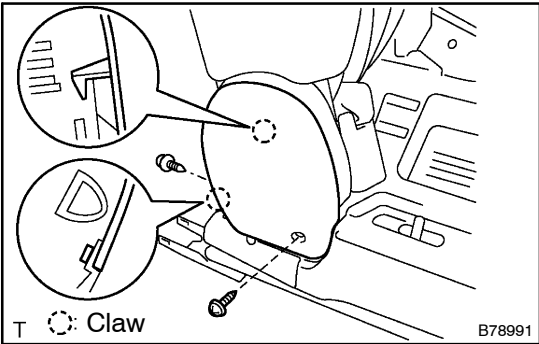


6. REMOVE RECLINING ADJUSTER COVER LH

- (a) Remove the 2 screws.
(b) Using a screwdriver, disengage the 3 claws and remove the cover.

HINT:

Tape the screwdriver tip before use.

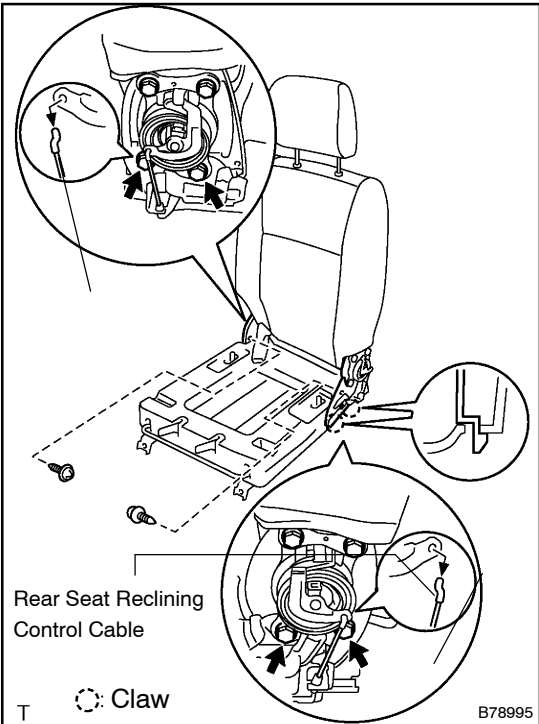


7. REMOVE RECLINING ADJUSTER COVER RH

- (a) Remove the 2 screws.
- (b) Using a screwdriver, disengage the 2 claws and remove the cover.

HINT:

Tape the screwdriver tip before use.



8. REMOVE REAR NO. 1 SEATBACK ASSY

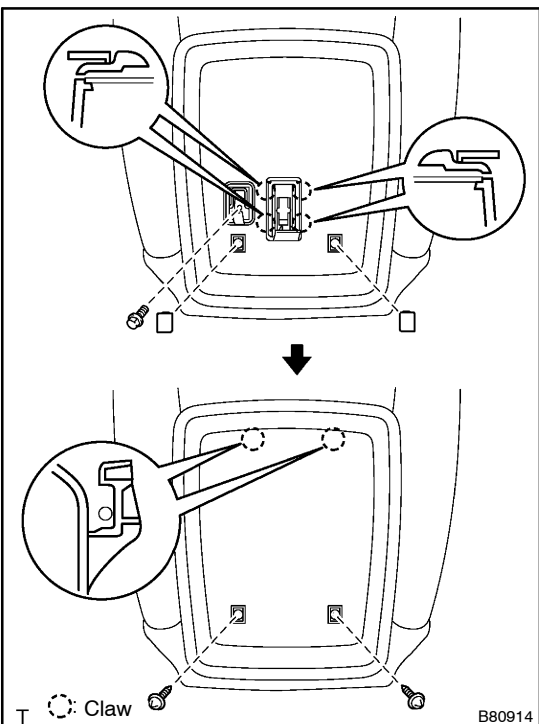
- (a) Remove the 2 screws.
- (b) Remove the 4 bolts.
- (c) Disconnect the rear seat reclining control cable.
- (d) Using a screwdriver, disengage the 2 claws and remove the seatback.

HINT:

Tape the screwdriver tip before use.

9. REMOVE RECLINING CONNECTING PIPE

- (a) Remove the 4 bolts and rear No. 1 seat reclining adjuster LH and RH together with the reclining connecting pipe.



10. REMOVE REAR SEAT BACK BOARD

- (a) Remove the 2 rear seat caps.
- (b) Remove the bolt and seatback hook.
- (c) Using a screwdriver, disengage the 4 claws and remove the seatback cover.

HINT:

Tape the screwdriver tip before use.

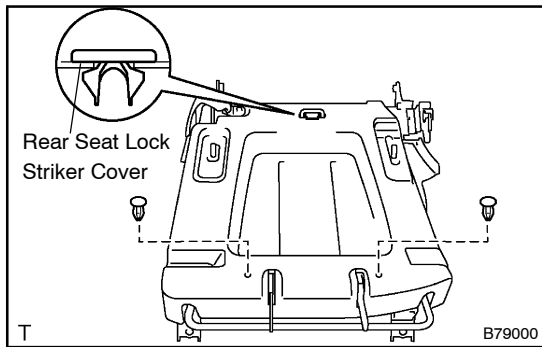
- (d) Remove the 2 screws and the seatback board, as shown in the illustration.

11. REMOVE REAR NO. 1 SEATBACK COVER

- (a) Remove the 2 headrest supports.
- (b) Remove the hog rings and the seatback cover together with the pad from the seatback spring.
- (c) Remove the hog rings and the seatback cover.

12. REMOVE REAR NO.1 SEAT BELT ASSY INNER LH

- (a) Remove the nut and belt.

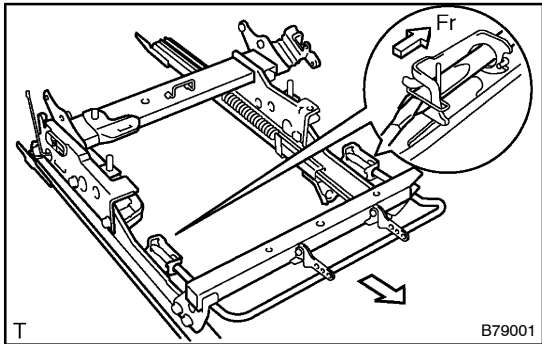
**13. REMOVE REAR UNDER SIDE COVER LH**

- (a) Remove the 2 screws and 2 seat track upper rail covers.
- (b) Using a screwdriver, remove the rear seat lock striker cover.

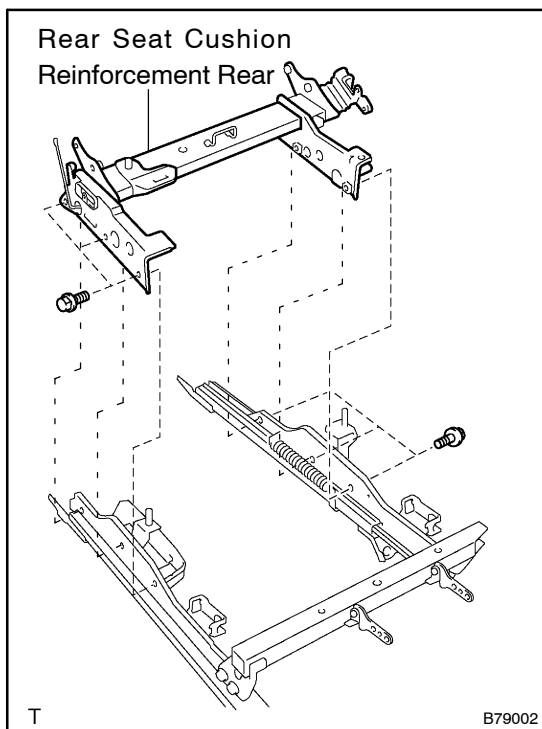
HINT:

Tape the screwdriver tip before use.

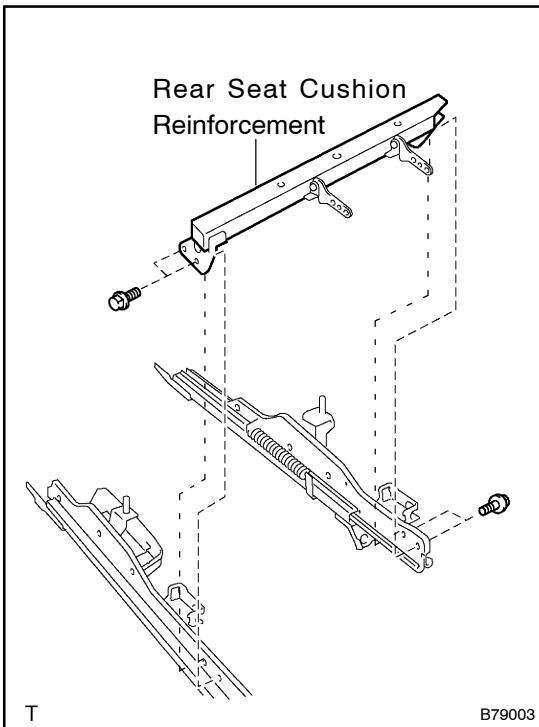
- (c) Remove the 2 clips and under side cover.

**14. REMOVE SEAT TRACK HANDLE SUB-ASSY LH**

- (a) Remove the 6 bolts and reinforcement.

**15. REMOVE REAR SEAT CUSHION REINFORCEMENT REAR**

- (a) Remove the 6 bolts and reinforcement.



16. REMOVE REAR SEAT CUSHION REINFORCEMENT

- (a) Remove the 4 bolts and reinforcement.

17. INSTALL REAR SEAT CUSHION REINFORCEMENT

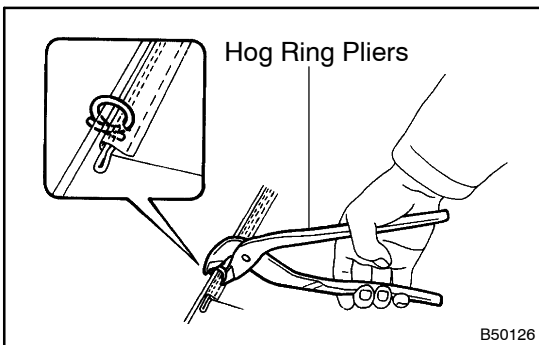
- (a) Install the reinforcement with the 4 bolts.

Torque: 39 N·m (398 kgf·cm, 29 ft·lbf)

18. INSTALL REAR SEAT CUSHION REINFORCEMENT REAR

- (a) Install the reinforcement with the 6 bolts.

Torque: 39 N·m (398 kgf·cm, 29 ft·lbf)



19. INSTALL REAR NO. 1 SEATBACK COVER

- (a) Install the seatback pad.
 (b) Cover the top of the seatback pad with the cover.
 (c) Using hog ring pliers, completely install the seatback cover with new hog rings.

NOTICE:

- **Be careful not to damage the cover.**
- **When installing the hog rings, minimize wrinkles as much as possible.**

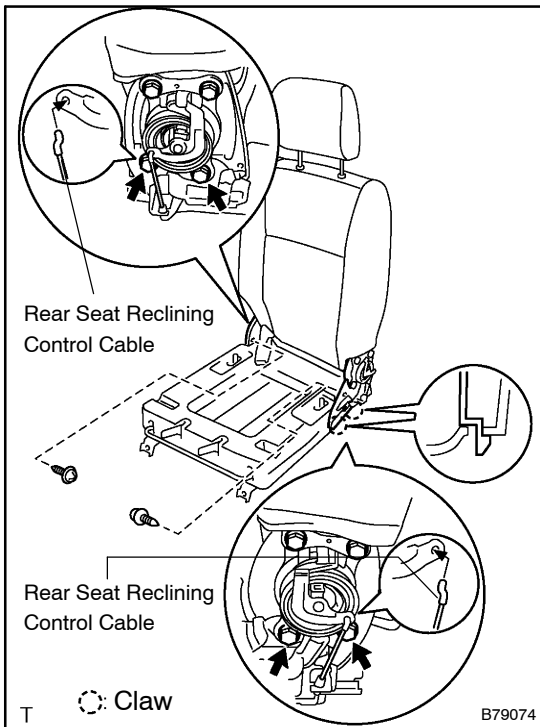
20. INSTALL RECLINING CONNECTING PIPE

- (a) Install the connecting pipe with the rear No. 1 seat reclining adjuster LH and RH together with the 4 bolts.

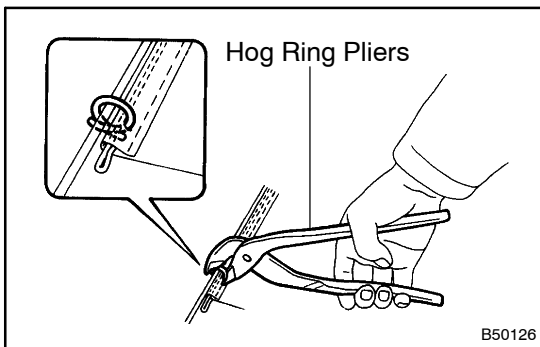
Torque: 39 N·m (398 kgf·cm, 29 ft·lbf)

21. INSTALL REAR NO.1 SEAT BELT ASSY INNER LH

Torque: 39 N·m (398 kgf·cm, 29 ft·lbf)

**22. INSTALL REAR NO. 1 SEATBACK ASSY**

- (a) Engage the 2 claws.
- (b) Connect the rear seat reclining control cable.
- (c) Install the 4 bolts.
Torque: 39 N·m (398 kgf·cm, 29 ft·lbf)
- (d) Install the 2 screws.

**23. INSTALL REAR NO. 1 SEAT CUSHION COVER**

- (a) Install the seat cushion.
- (b) Using hog ring pliers, install the cushion cover to the cushion pad with new hog rings.

NOTICE:

- **Be careful not to damage the cover.**
- **When installing the hog rings, minimize wrinkles as much as possible.**

24. INSTALL REAR NO. 1 SEAT ASSY LH

- (a) Place the seat in the cabin.
- (b) Tighten the 2 bolts on the front side of the seat.
Torque: 39 N·m (398 kgf·cm, 29 ft·lbf)
- (c) Tighten the 2 bolts on the rear side of the seat.
Torque: 39 N·m (398 kgf·cm, 29 ft·lbf)
- (d) Install the 4 seat track covers.
- (e) Install the headrest.