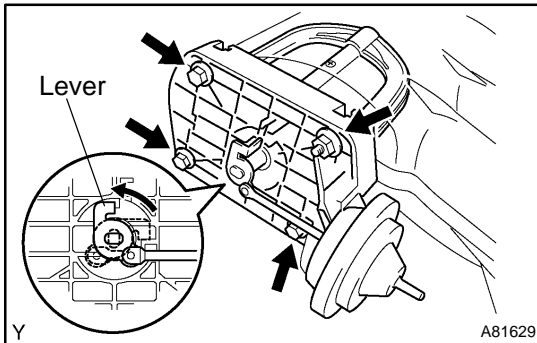


## INTAKE AIR CONTROL VALVE ASSY NO.2 (3MZ-FE) REPLACEMENT

1307P-03



- 1. REMOVE INTAKE AIR CONTROL VALVE ASSY NO.2**
  - (a) Remove the 3 bolts and nut.
  - (b) Turn the lever to the closed position as shown in the illustration and pull out the IAC valve.
  - (c) Remove the gasket from the intake air surge tank.

### **2. INSTALL INTAKE AIR CONTROL VALVE ASSY NO.2**

- (a) Install a new gasket to the intake air surge tank.
- (b) Install the IAC valve with the 3 bolts and nut.

**Torque: 10 N·m (102 kgf·cm, 7 ft·lbf)**