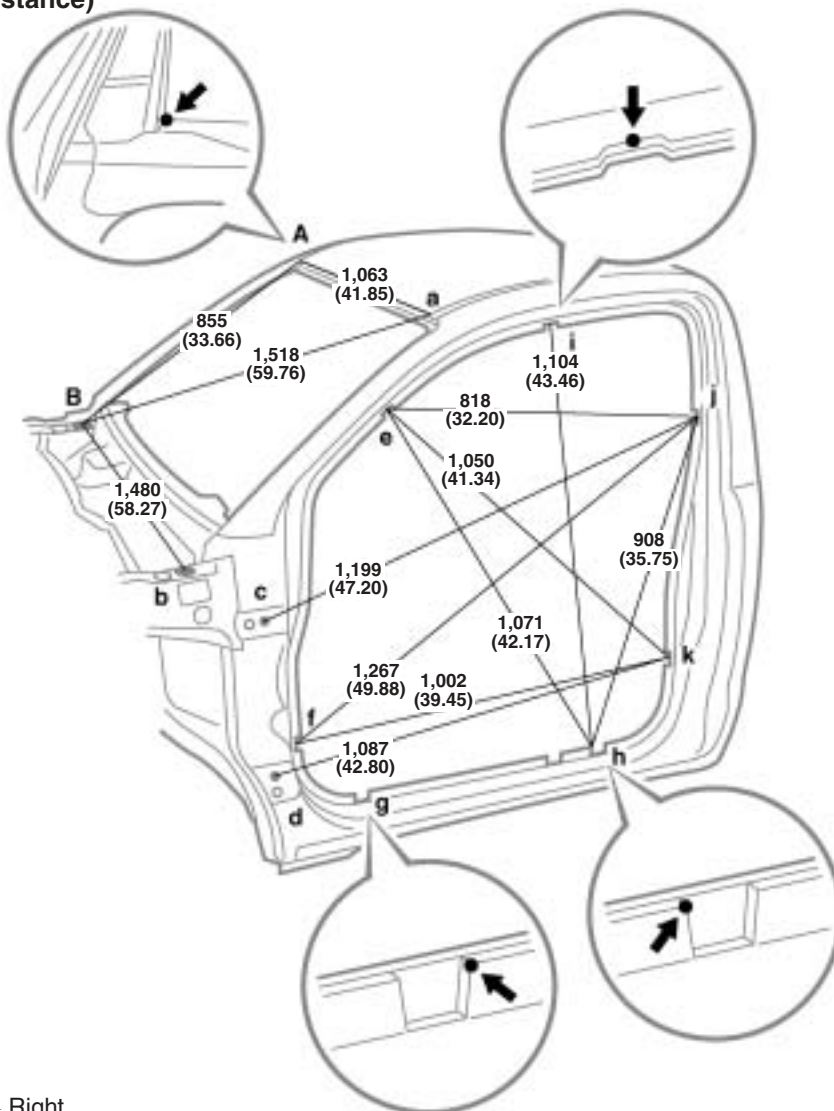


BODY OPENING AREAS (Side View)
Regular Cab

(Three-Dimensional Distance)



Vehicle Dimensions Left ↔ Right

E-e	F-f	G-g	H-h	I-i	J-j	K-k
1,349 (53.11)	1,457 (57.36)	1,482 (58.35)	1,482 (58.35)	1,220 (48.03)	1,408 (55.43)	1,478 (58.19)

E-f or e-F	E-h or e-H	E-i or e-I	E-j or e-J	E-k or e-K	F-j or f-J	F-k or f-K	G-h or g-H	H-i or h-I	J-k or j-K
1,611 (63.43)	1,773 (69.80)	1,371 (53.98)	1,603 (63.11)	1,760 (69.29)	1,912 (75.28)	1,777 (69.96)	1,612 (63.46)	1,740 (68.50)	1,591 (62.64)

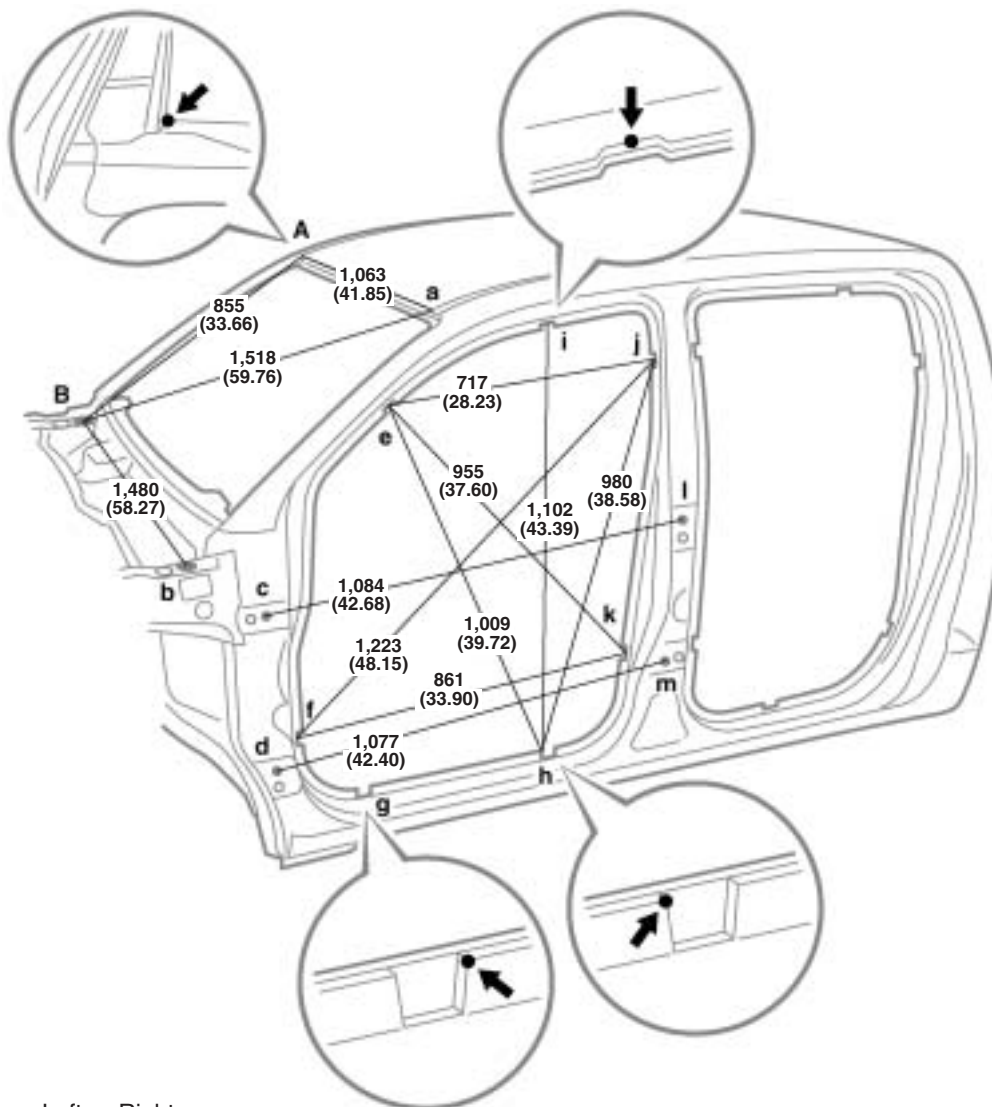
HINT: For symbols, capital letters indicate right side of vehicle, small letters indicate left side of vehicle (Seen from rear).

mm (in.)

Symbol	Name	Hole dia.	Symbol	Name	Hole dia.
A, a	Roof panel corner	—	G, g	Rocker panel assembly mark	—
B, b	Hood hinge installation nut-rear	8 (0.31) nut	H, h	Rocker panel assembly mark	—
C, c	Front door hinge installation nut	8 (0.31) nut	I, i	Roof side rail assembly mark	—
D, d	Front door hinge installation nut	8 (0.31) nut	J, j	Quarter panel assembly mark	—
E, e	Front body pillar assembly mark	—	K, k	Quarter panel assembly mark	—
F, f	Front body pillar assembly mark	—	—	—	—

BODY OPENING AREAS (Side View: Front)
Double Cab

(Three-Dimensional Distance)



Vehicle Dimensions Left ↔ Right

E-e	F-f	G-g	H-h	I-i	J-j	K-k
1,349 (53.11)	1,457 (57.36)	1,482 (58.35)	1,482 (58.35)	1,220 (48.03)	980 (38.58)	1,477 (58.15)

E-f or e-F	E-h or e-H	E-i or e-I	E-j or e-J	E-k or e-K	F-j or f-J	F-k or f-K	G-p or g-P	H-i or h-I	I-q or i-Q	J-k or j-K
1,611 (63.43)	1,737 (68.39)	1,371 (53.98)	1,535 (60.43)	1,704 (67.09)	1,867 (73.50)	1,701 (66.97)	1,883 (74.13)	1,738 (68.43)	1,502 (59.13)	1,600 (62.99)

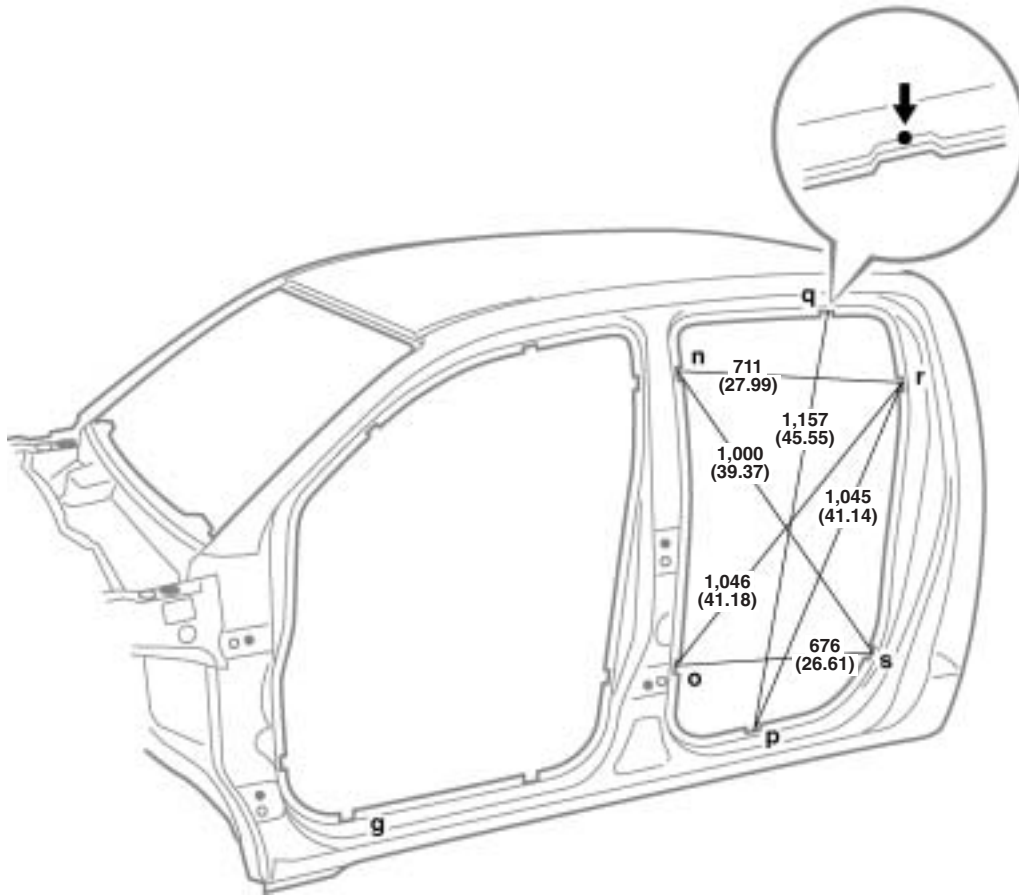
HINT: For symbols, capital letters indicate right side of vehicle, small letters indicate left side of vehicle (Seen from rear).

mm (in.)

Symbol	Name	Hole dia.	Symbol	Name	Hole dia.
A, a	Roof panel corner	—	G, g	Rocker panel assembly mark	—
B, b	Hood hinge installation nut-rear	8 (0.31) nut	H, h	Rocker panel assembly mark	—
C, c	Front door hinge installation nut	8 (0.31) nut	I, i	Roof side rail assembly mark	—
D, d	Front door hinge installation nut	8 (0.31) nut	J, j	Center body pillar assembly mark	—
E, e	Front body pillar assembly mark	—	L, l	Rear door hinge installation nut	8 (0.31) nut
F, f	Front body pillar assembly mark	—	M, m	Rear door hinge installation nut	8 (0.31) nut

BODY OPENING AREAS (Side View: Rear) Double Cab

(Three-Dimensional Distance)



N-n	O-o	P-p	Q-q	R-r	S-s
1,368 (53.86)	1,476 (58.11)	1,480 (58.27)	1,208 (47.56)	1,369 (53.90)	1,480 (58.27)

G-p or g-P	N-o or n-O	N-p or n-P	N-g or n-G	N-r or n-R	N-s or n-S	O-r or o-R	O-s or o-S	P-q or p-Q	R-s or r-S
1,883 (74.13)	1,598 (62.91)	1,713 (67.44)	1,938 (76.30)	1,542 (60.71)	1,739 (68.46)	1,765 (69.49)	1,625 (63.98)	1,768 (69.61)	1,621 (63.82)

HINT: For symbols, capital letters indicate right side of vehicle, small letters indicate left side of vehicle (Seen from rear).

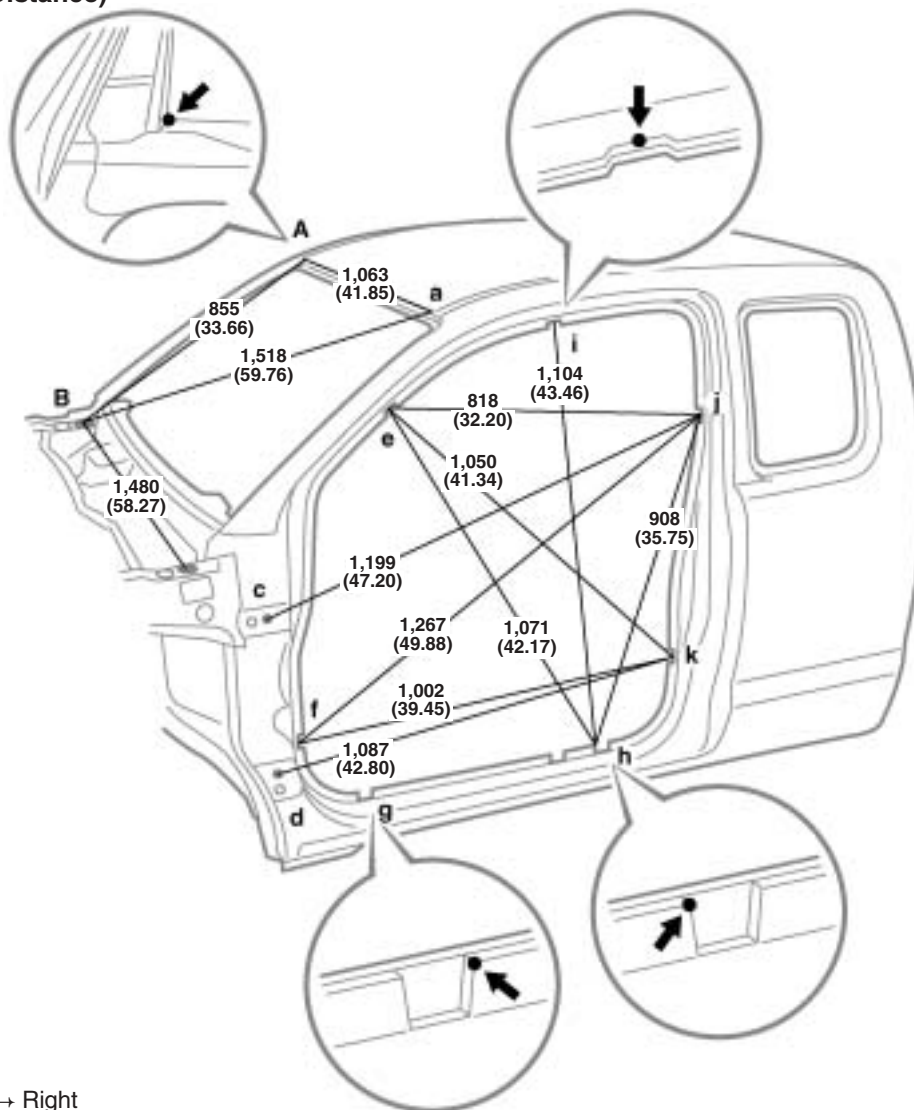
mm (in.)

Symbol	Name	Hole dia.	Symbol	Name	Hole dia.
N, n	Center body pillar assembly mark	—	Q, q	Roof side rail assembly mark	—
O, o	Center body pillar assembly mark	—	R, r	Quarter panel assembly mark	—
P, p	Quarter panel assembly mark	—	S, s	Quarter panel assembly mark	—

BODY OPENING AREAS (Side View)

Extra Cab

(Three-Dimensional Distance)



Vehicle Dimensions Left ↔ Right

E-e	F-f	G-g	H-h	I-i	J-j	K-k
1,349 (53.11)	1,457 (57.36)	1,482 (58.35)	1,482 (58.35)	1,220 (48.03)	1,408 (55.43)	1,478 (58.19)

E-f or e-F	E-h or e-H	E-i or e-I	E-j or e-J	E-k or e-K	F-j or f-J	F-k or f-K	G-h or g-H	H-i or h-I	J-k or j-K
1,611 (63.43)	1,773 (69.80)	1,371 (53.98)	1,603 (63.11)	1,760 (69.29)	1,912 (75.28)	1,777 (69.96)	1,612 (63.46)	1,740 (68.50)	1,591 (62.64)

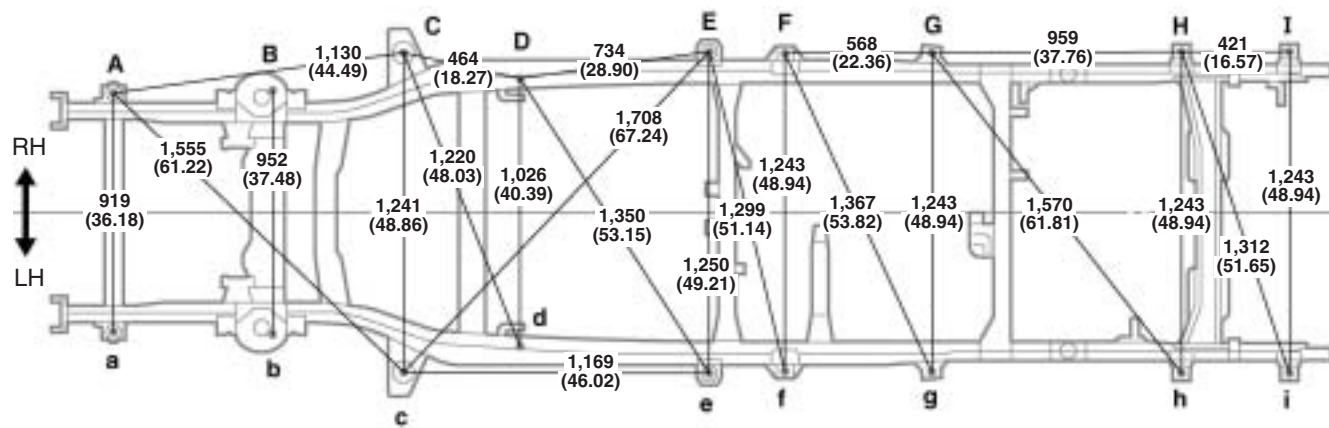
HINT: For symbols, capital letters indicate right side of vehicle, small letters indicate left side of vehicle (Seen from rear).

mm (in.)

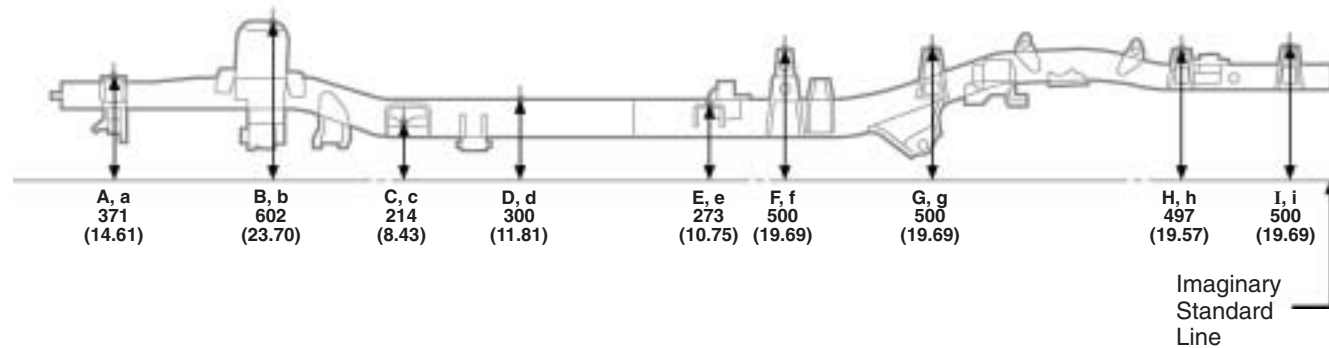
Symbol	Name	Hole dia.	Symbol	Name	Hole dia.
A, a	Roof panel corner	—	G, g	Rocker panel assembly mark	—
B, b	Hood hinge installation nut-rear	8 (0.31) nut	H, h	Rocker panel assembly mark	—
C, c	Front door hinge installation nut	8 (0.31) nut	I, i	Roof side rail assembly mark	—
D, d	Front door hinge installation nut	8 (0.31) nut	J, j	Quarter panel assembly mark	—
E, e	Front body pillar assembly mark	—	K, k	Quarter panel assembly mark	—
F, f	Front body pillar assembly mark	—	—	—	—

FRAME DIMENSION-Upper Face
Regular Cab 2WD

(Three-Dimensional Distance)



Front ←

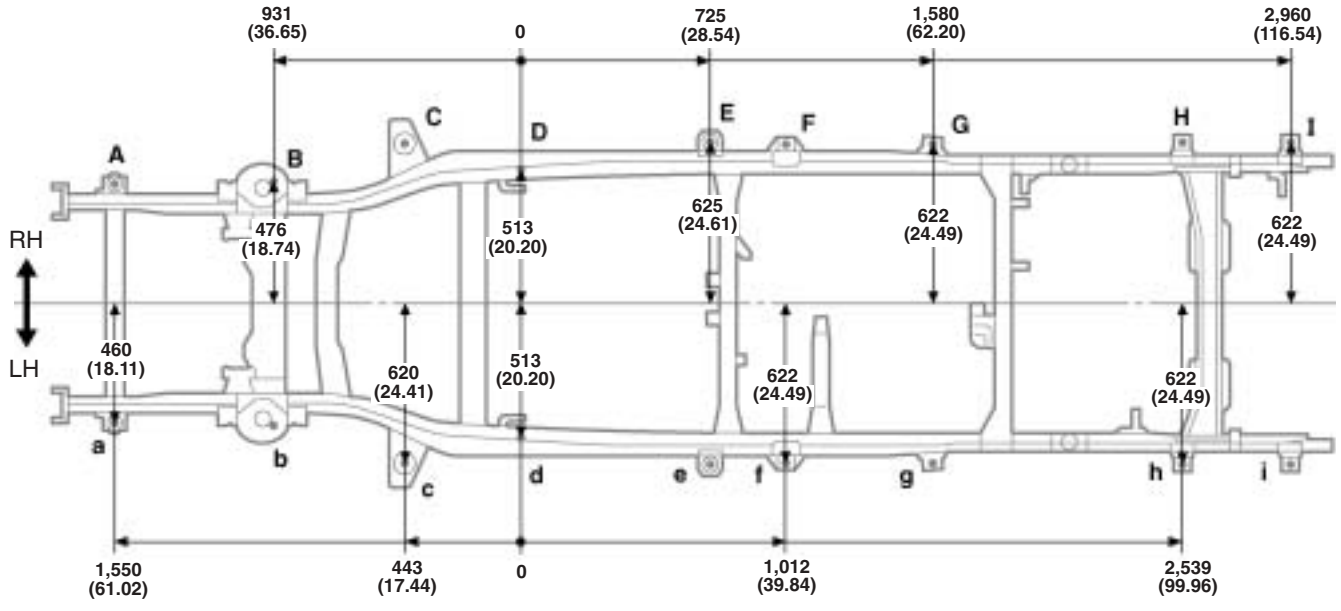


mm (in.)

Symbol	Name	Hole dia.	Symbol	Name	Hole dia.
A, a	Body mounting hole	26 (1.02)	F, f	Rear body mounting hole	23 (0.91)
B, b	Shock absorber installation hole	12.2 (0.480)	G	Rear body mounting hole	15 (0.59)
C, c	Body mounting hole	31 (1.22)	g	Rear body mounting hole	23 × 15 (0.91 × 0.59)
D, d	Side rail inner channel standard hole	16 × 16 (0.63 × 0.63)	H, h	Rear body mounting hole	24 (0.94)
E, e	Body mounting hole	27 (1.06)	I, i	Rear body mounting hole	24 (0.94)

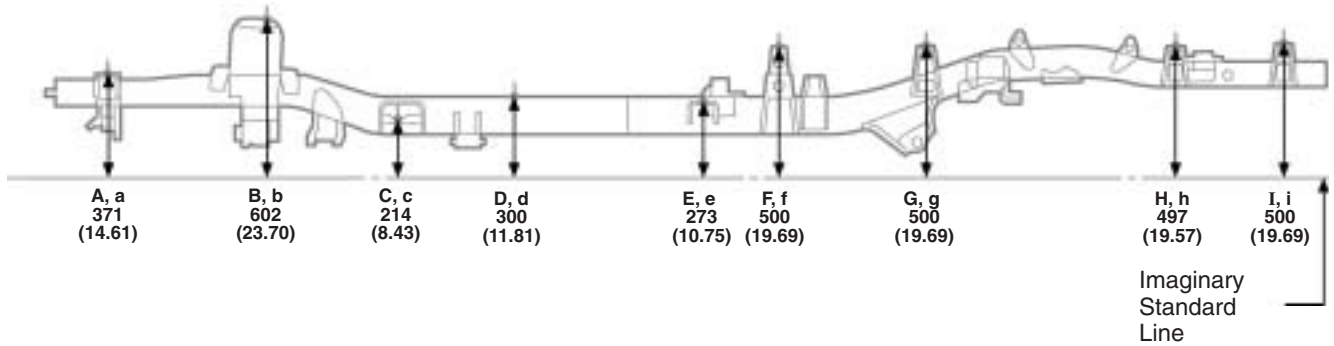
FRAME DIMENSION-Upper Face
Regular Cab 2WD

(Two-Dimensional Distance)



Front ←

Wheel Base	3,085 (121.46)
------------	----------------

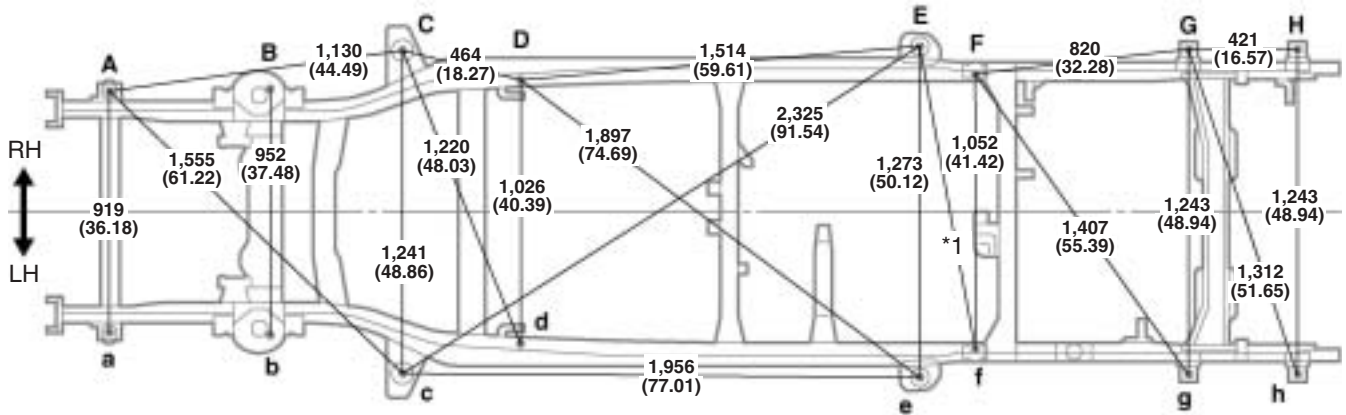


mm (in.)

Symbol	Name	Hole dia.	Symbol	Name	Hole dia.
A, a	Body mounting hole	26 (1.02)	F, f	Rear body mounting hole	23 (0.91)
B, b	Shock absorber installation hole	12.2 (0.480)	G	Rear body mounting hole	15 (0.59)
C, c	Body mounting hole	31 (1.22)	g	Rear body mounting hole	23 × 15 (0.91 × 0.59)
D, d	Side rail inner channel standard hole	16 × 16 (0.63 × 0.63)	H, h	Rear body mounting hole	24 (0.94)
E, e	Body mounting hole	27 (1.06)	I, i	Rear body mounting hole	24 (0.94)

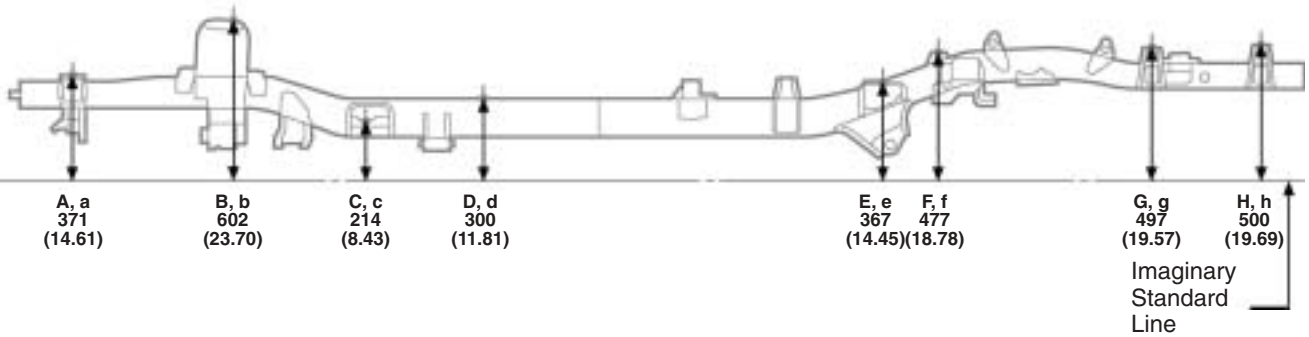
FRAME DIMENSION-Upper Face
Double Cab 2WD

(Three-Dimensional Distance)



Front ←

*1	1,188 (46.77)
----	---------------

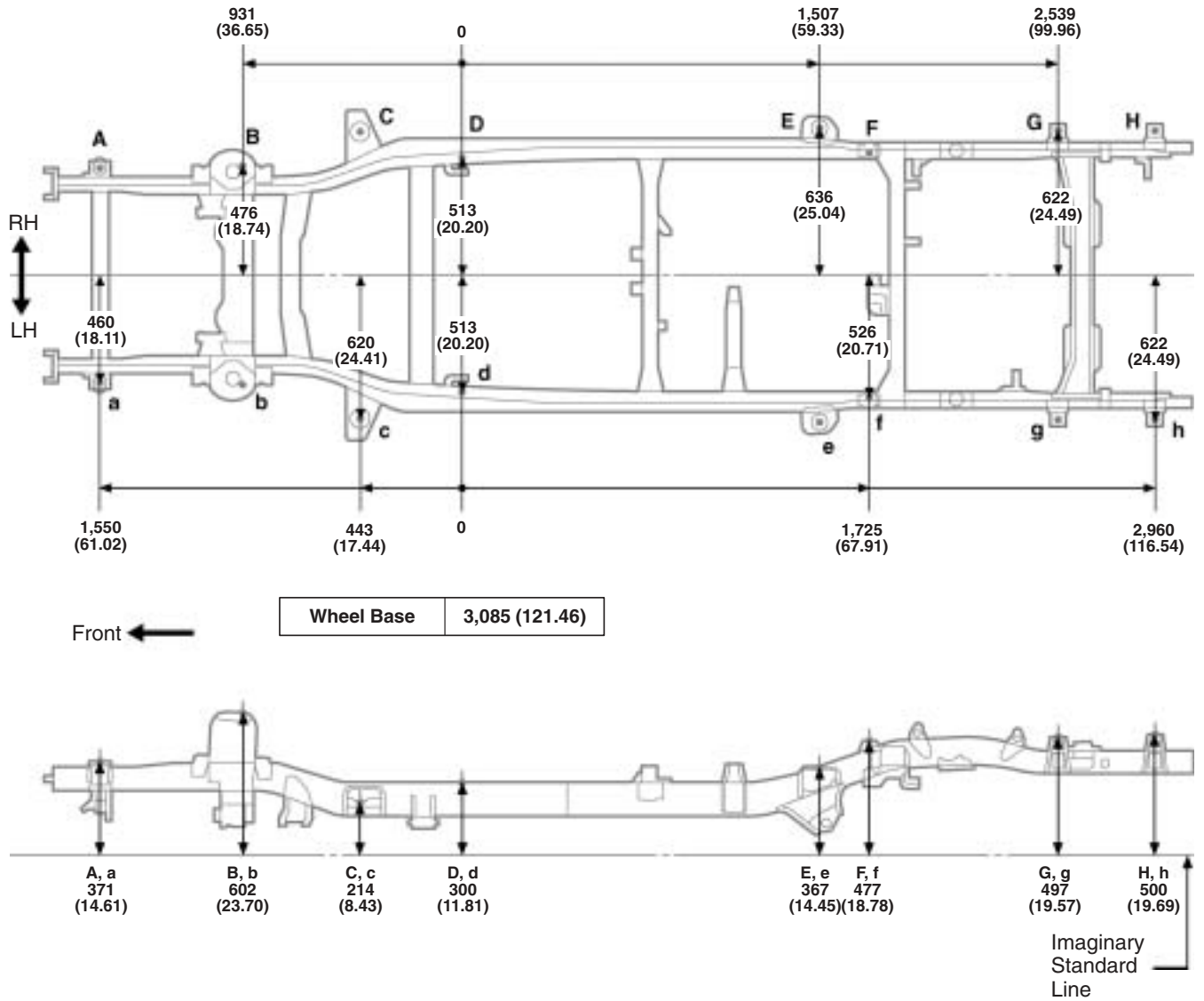


mm (in.)

Symbol	Name	Hole dia.	Symbol	Name	Hole dia.
A, a	Body mounting hole	26 (1.02)	E, e	Rear body mounting hole	75 (2.95)
B, b	Shock absorber installation hole	12.2 (0.480)	F, f	Rear body mounting nut	12 (0.47) nut
C, c	Body mounting hole	31 (1.22)	G, g	Rear body mounting hole	24 (0.94)
D, d	Side rail inner channel standard hole	16 × 16 (0.63 × 0.63)	H, h	Rear body mounting hole	24 (0.94)

FRAME DIMENSION-Upper Face
Double Cab 2WD

(Two-Dimensional Distance)

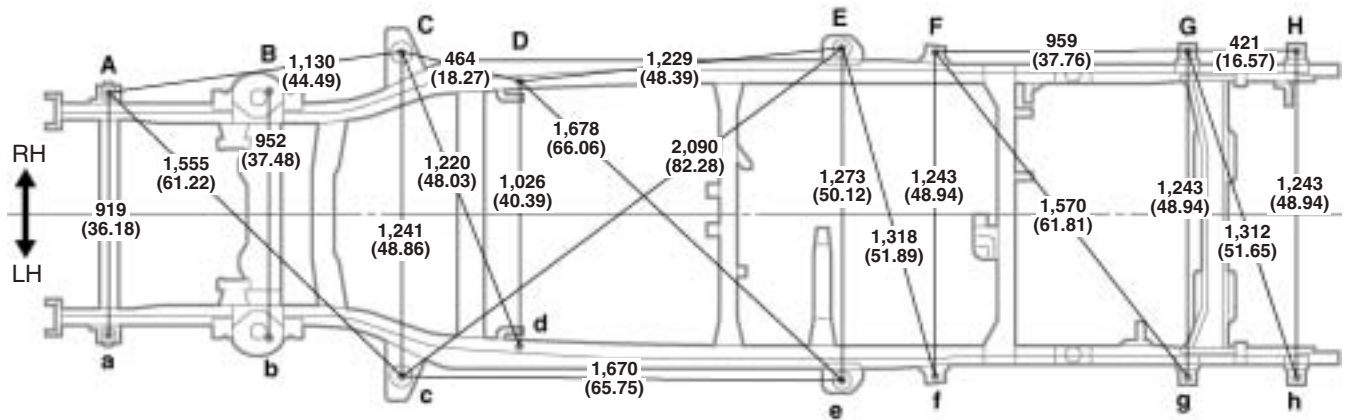


mm (in.)

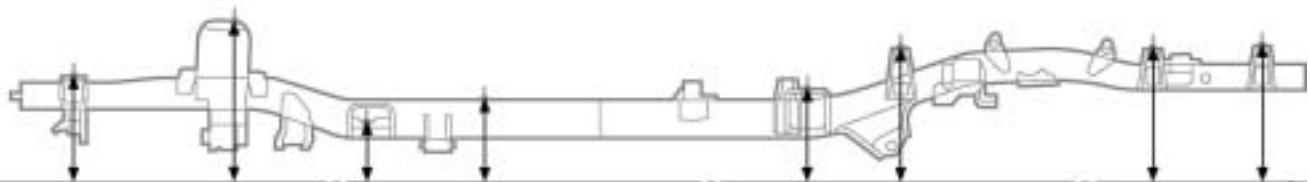
Symbol	Name	Hole dia.	Symbol	Name	Hole dia.
A, a	Body mounting hole	26 (1.02)	E, e	Rear body mounting hole	75 (2.95)
B, b	Shock absorber installation hole	12.2 (0.480)	F, f	Rear body mounting nut	12 (0.47) nut
C, c	Body mounting hole	31 (1.22)	G, g	Rear body mounting hole	24 (0.94)
D, d	Side rail inner channel standard hole	16 x 16 (0.63 x 0.63)	H, h	Rear body mounting hole	24 (0.94)

FRAME DIMENSION-Upper Face
Extra Cab 2WD

(Three-Dimensional Distance)



Front ←



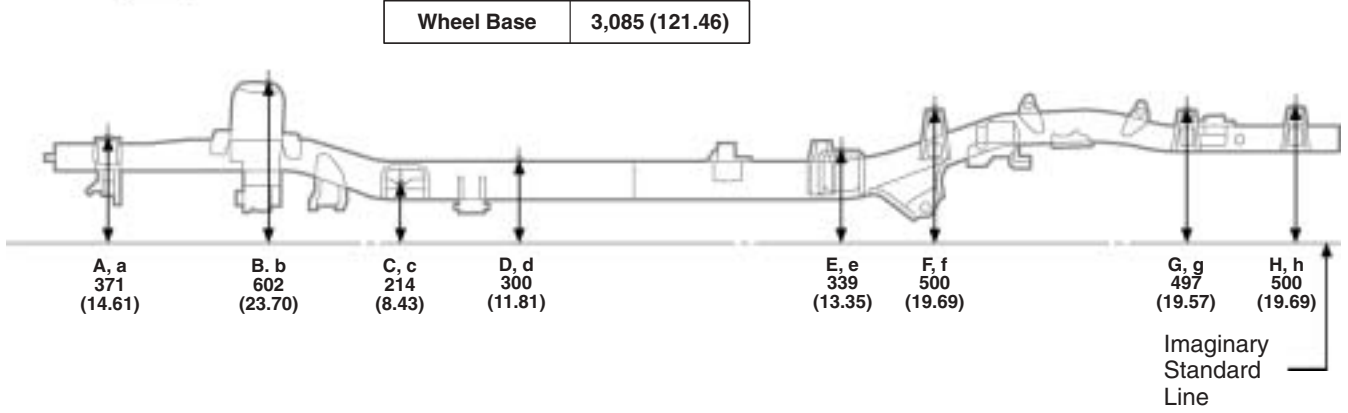
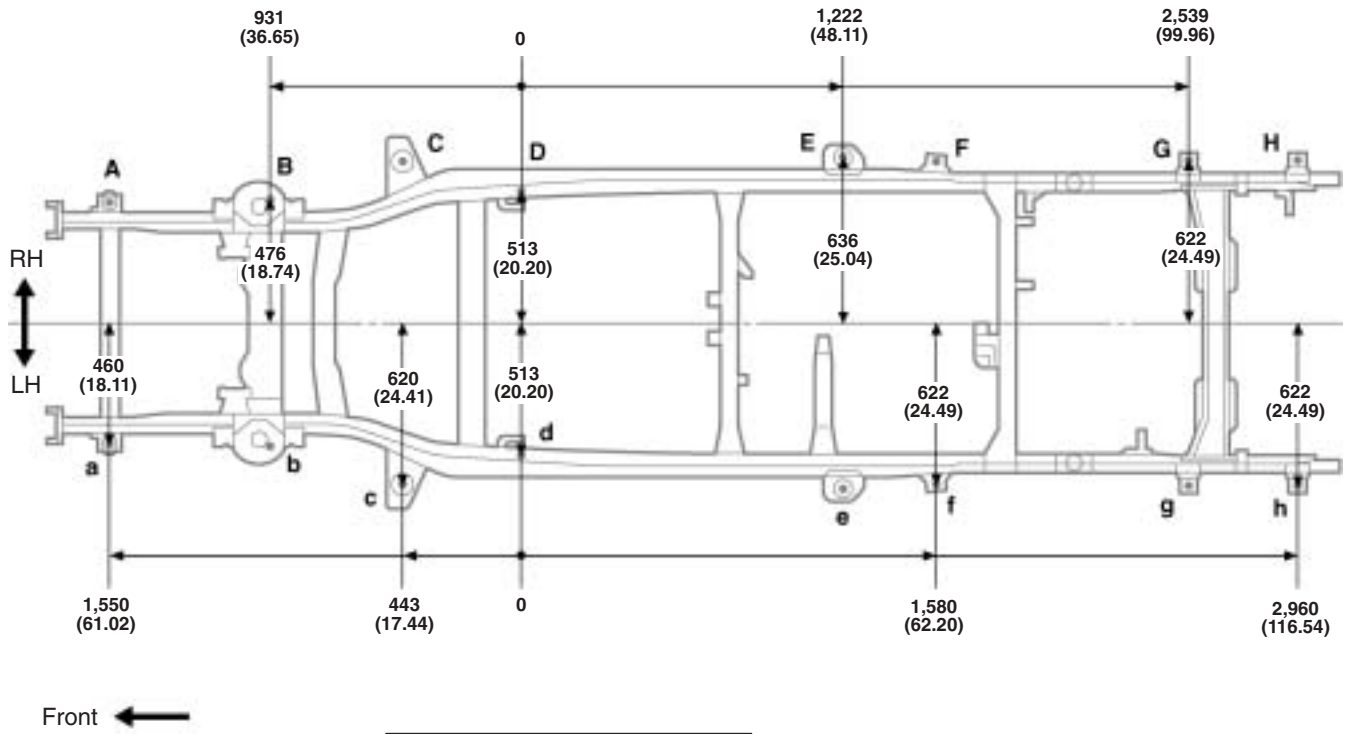
A, a	B, b	C, c	D, d	E, e	F, f	G, g	H, h	
371	602	214	300	339	500	497	500	
(14.61)	(23.70)	(8.43)	(11.81)	(13.35)	(19.69)	(19.57)	(19.69)	
							Imaginary Standard Line	

mm (in.)

Symbol	Name	Hole dia.	Symbol	Name	Hole dia.
A, a	Body mounting hole	26 (1.02)	F	Rear body mounting hole	15 (0.59)
B, b	Shock absorber installation hole	12.2 (0.480)	f	Rear body mounting hole	23 × 15 (0.91 × 0.59)
C, c	Body mounting hole	31 (1.22)	G, g	Rear body mounting hole	24 (0.94)
D, d	Side rail inner channel standard hole	16 × 16 (0.63 × 0.63)	H, h	Rear body mounting hole	24 (0.94)
E, e	Rear body mounting hole	75 (2.95)	—	—	—

FRAME DIMENSION-Upper Face
Extra Cab 2WD

(Two-Dimensional Distance)

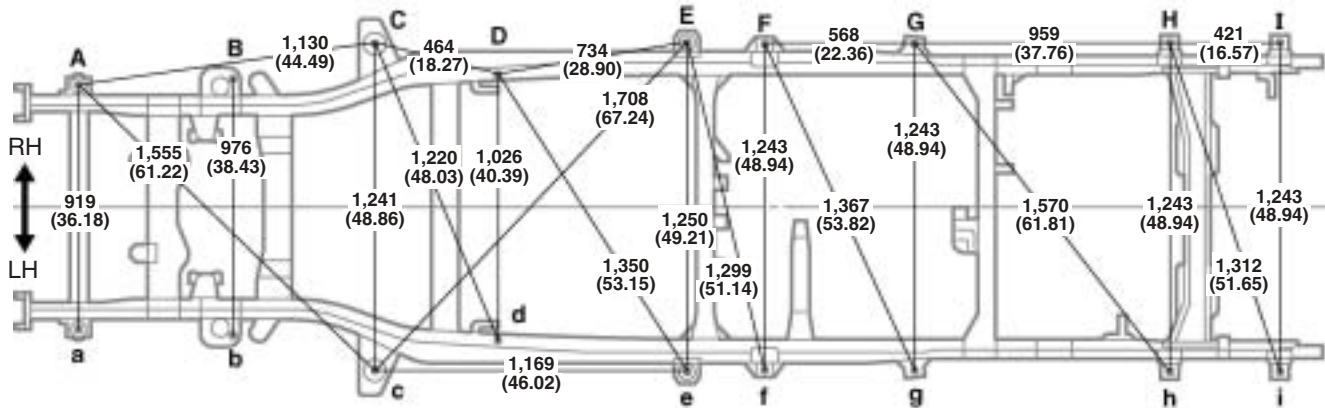


mm (in.)

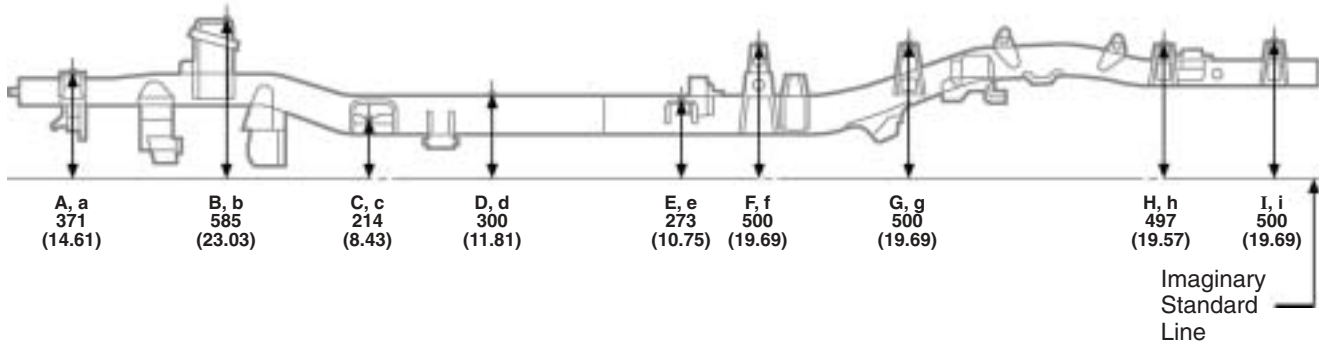
Symbol	Name	Hole dia.	Symbol	Name	Hole dia.
A, a	Body mounting hole	26 (1.02)	F	Rear body mounting hole	15 (0.59)
B, b	Shock absorber installation hole	12.2 (0.480)	f	Rear body mounting hole	23 × 15 (0.91 × 0.59)
C, c	Body mounting hole	31 (1.22)	G, g	Rear body mounting hole	24 (0.94)
D, d	Side rail inner channel standard hole	16 × 16 (0.63 × 0.63)	H, h	Rear body mounting hole	24 (0.94)
E, e	Rear body mounting hole	75 (2.95)	—	—	—

FRAME DIMENSION-Upper Face
Regular Cab 4WD

(Three-Dimensional Distance)



Front ←

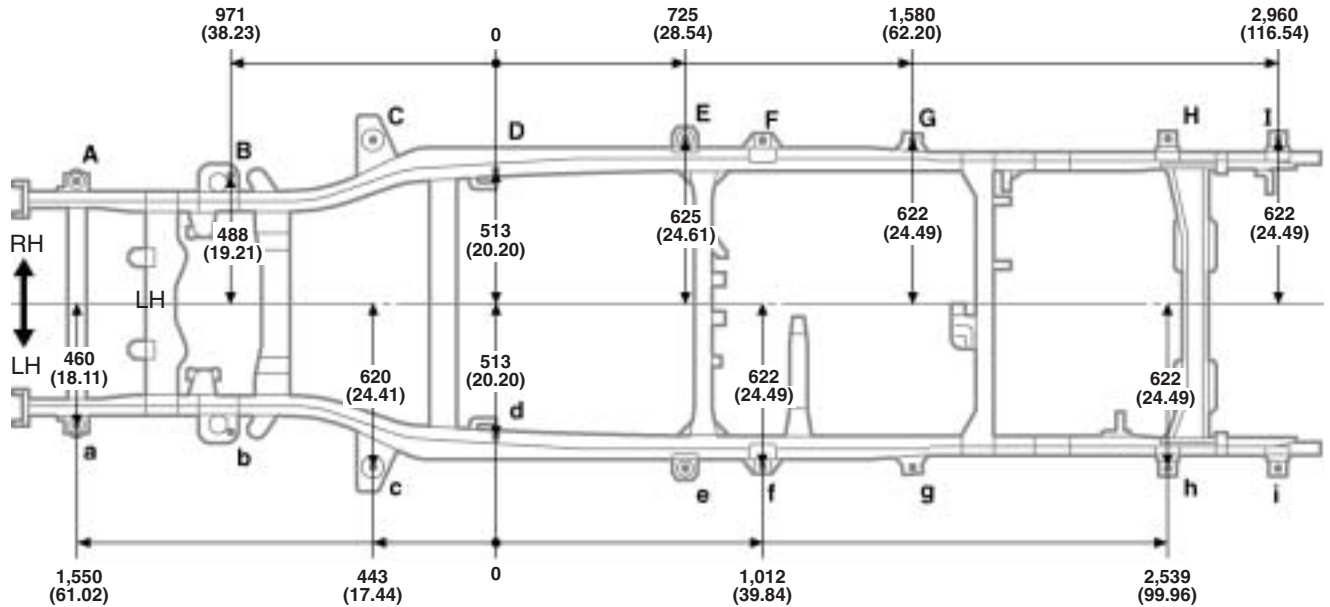


mm (in.)

Symbol	Name	Hole dia.	Symbol	Name	Hole dia.
A, a	Body mounting hole	26 (1.02)	F, f	Rear body mounting hole	23 (0.91)
B, b	Shock absorber installation hole	12.2 (0.480)	G	Rear body mounting hole	15 (0.59)
C, c	Body mounting hole	31 (1.22)	g	Rear body mounting hole	23 × 15 (0.91 × 0.59)
D, d	Side rail inner channel standard hole	16 × 16 (0.63 × 0.63)	H, h	Rear body mounting hole	24 (0.94)
E, e	Body mounting hole	27 (1.06)	I, i	Rear body mounting hole	24 (0.94)

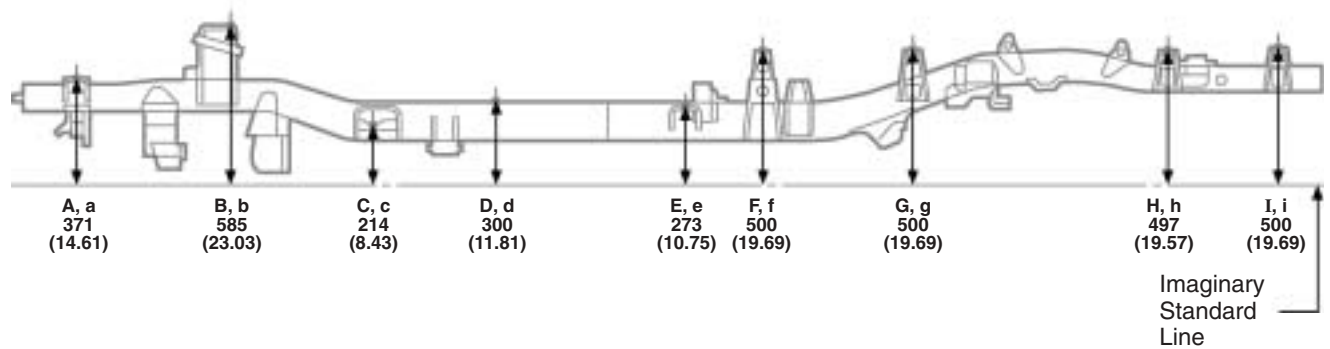
FRAME DIMENSION-Upper Face
Regular Cab 4WD

(Two-Dimensional Distance)



Wheel Base 3,085 (121.46)

Front ←

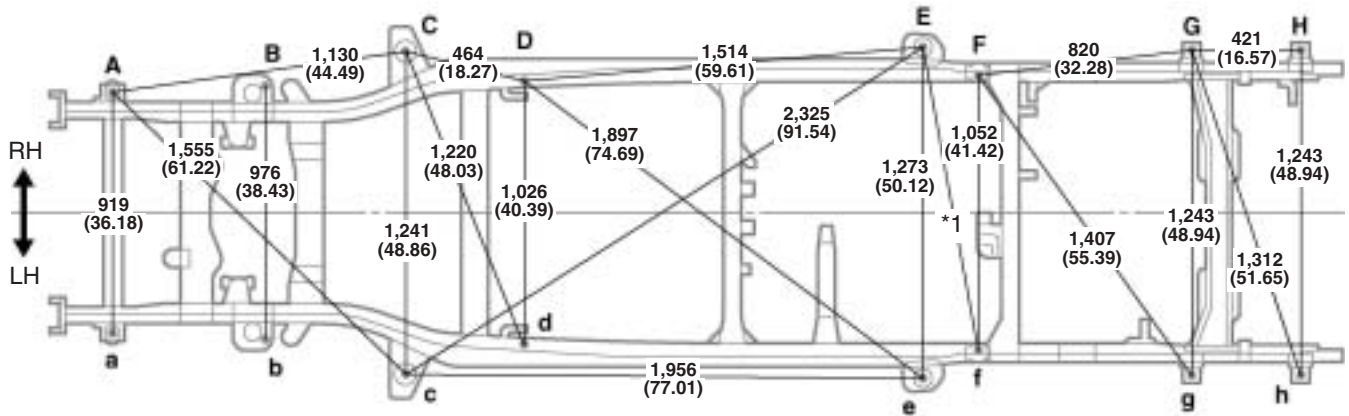


mm (in.)

Symbol	Name	Hole dia.	Symbol	Name	Hole dia.
A, a	Body mounting hole	26 (1.02)	F, f	Rear body mounting hole	23 (0.91)
B, b	Shock absorber installation hole	12.2 (0.480)	G	Rear body mounting hole	15 (0.59)
C, c	Body mounting hole	31 (1.22)	g	Rear body mounting hole	23 × 15 (0.91 × 0.59)
D, d	Side rail inner channel standard hole	16 × 16 (0.63 × 0.63)	H, h	Rear body mounting hole	24 (0.94)
E, e	Body mounting hole	27 (1.06)	I, i	Rear body mounting hole	24 (0.94)

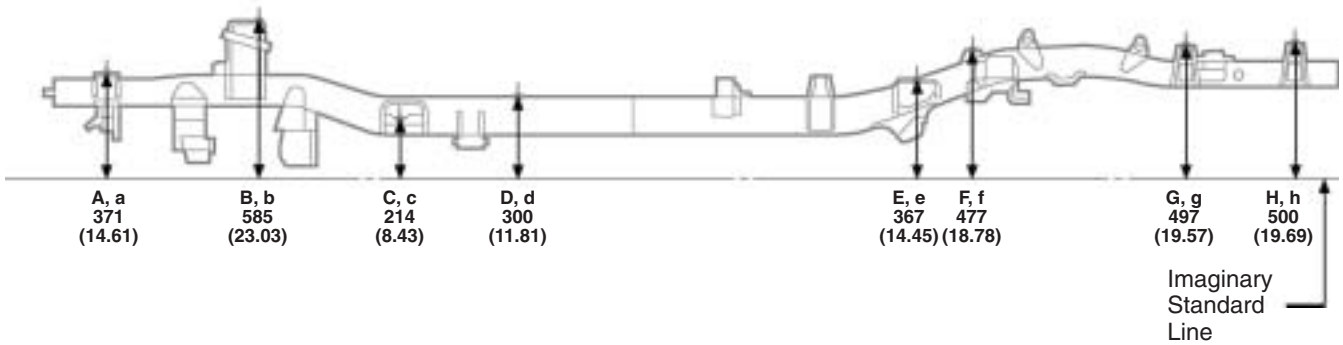
FRAME DIMENSION-Upper Face
Double Cab 4WD

(Three-Dimensional Distance)



Front ←

*1	1,188 (46.77)
----	---------------

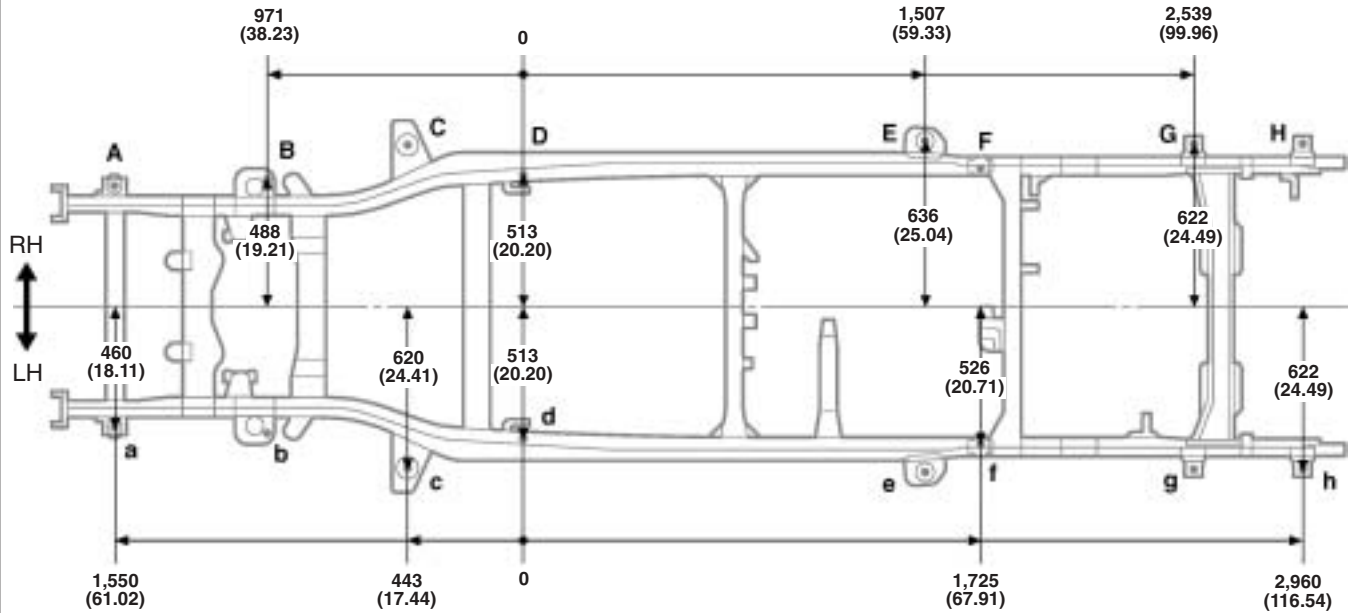


mm (in.)

Symbol	Name	Hole dia.	Symbol	Name	Hole dia.
A, a	Body mounting hole	26 (1.02)	E, e	Rear body mounting hole	75 (2.95)
B, b	Shock absorber installation hole	12.2 (0.480)	F, f	Rear body mounting nut	12 (0.47) nut
C, c	Body mounting hole	31 (1.22)	G, g	Rear body mounting hole	24 (0.94)
D, d	Side rail inner channel standard hole	16 × 16 (0.63 × 0.63)	H, h	Rear body mounting hole	24 (0.94)

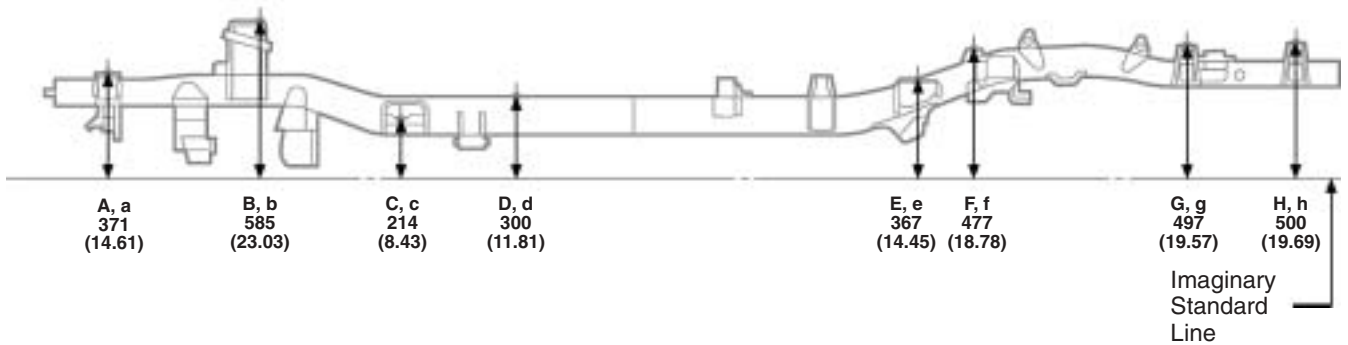
FRAME DIMENSION-Upper Face
Double Cab 4WD

(Two-Dimensional Distance)



Front ←

Wheel Base	3,085 (121.46)
------------	----------------

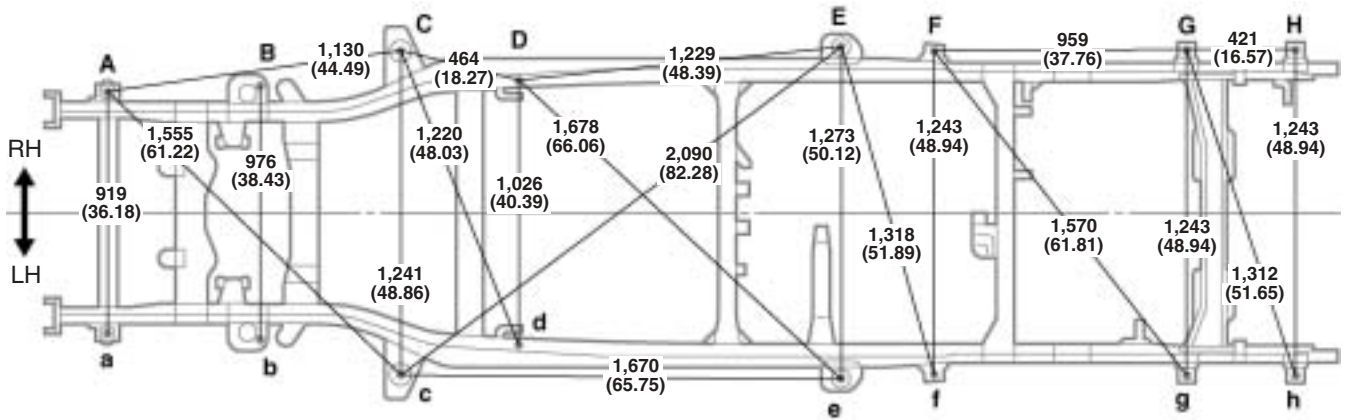


mm (in.)

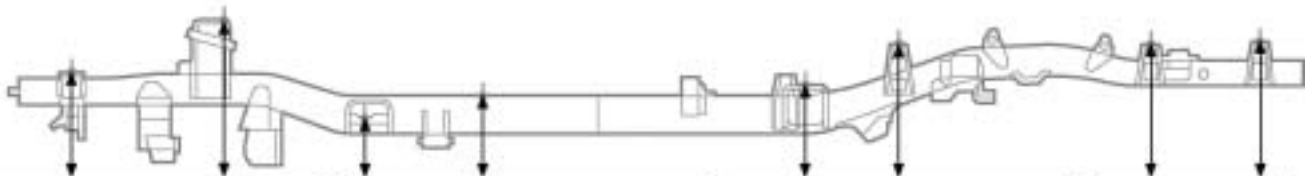
Symbol	Name	Hole dia.	Symbol	Name	Hole dia.
A, a	Body mounting hole	26 (1.02)	E, e	Rear body mounting hole	75 (2.95)
B, b	Shock absorber installation hole	12.2 (0.480)	F, f	Rear body mounting nut	12 (0.47) nut
C, c	Body mounting hole	31 (1.22)	G, g	Rear body mounting hole	24 (0.94)
D, d	Side rail inner channel standard hole	16 × 16 (0.63 × 0.63)	H, h	Rear body mounting hole	24 (0.94)

FRAME DIMENSION-Upper Face
Extra Cab 4WD

(Three-Dimensional Distance)



Front ←



A, a	371	(14.61)	E, e	339	(13.35)
B, b	585	(23.03)	F, f	500	(19.69)
C, c	214	(8.43)	G, g	497	(19.57)
D, d	300	(11.81)	H, h	500	(19.69)

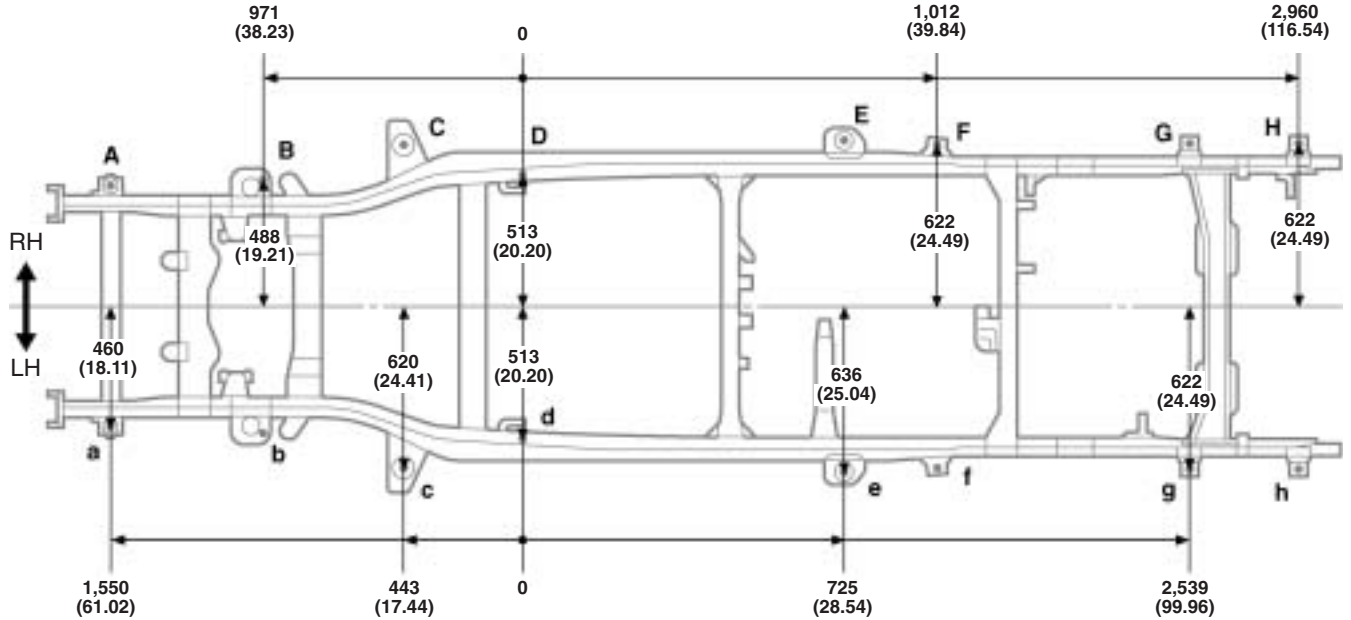
Imaginary
Standard
Line

mm (in.)

Symbol	Name	Hole dia.	Symbol	Name	Hole dia.
A, a	Body mounting hole	26 (1.02)	F	Rear body mounting hole	15 (0.59)
B, b	Shock absorber installation hole	12.2 (0.480)	f	Rear body mounting hole	23 × 15 (0.91 × 0.59)
C, c	Body mounting hole	31 (1.22)	G, g	Rear body mounting hole	24 (0.94)
D, d	Side rail inner channel standard hole	16 × 16 (0.63 × 0.63)	H, h	Rear body mounting hole	24 (0.94)
E, e	Rear body mounting hole	75 (2.95)	—	—	—

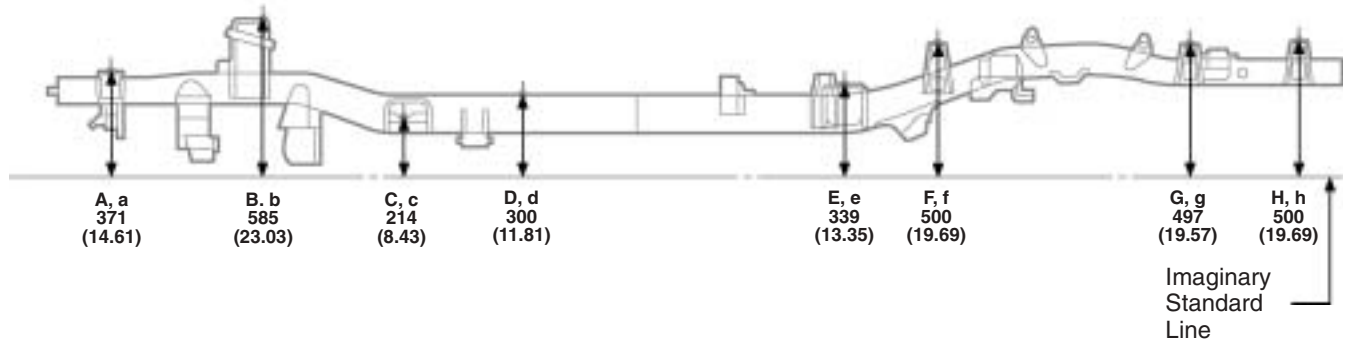
FRAME DIMENSION-Upper Face
Extra Cab 4WD

(Two-Dimensional Distance)



Front ←

Wheel Base	3,085 (121.46)
------------	----------------



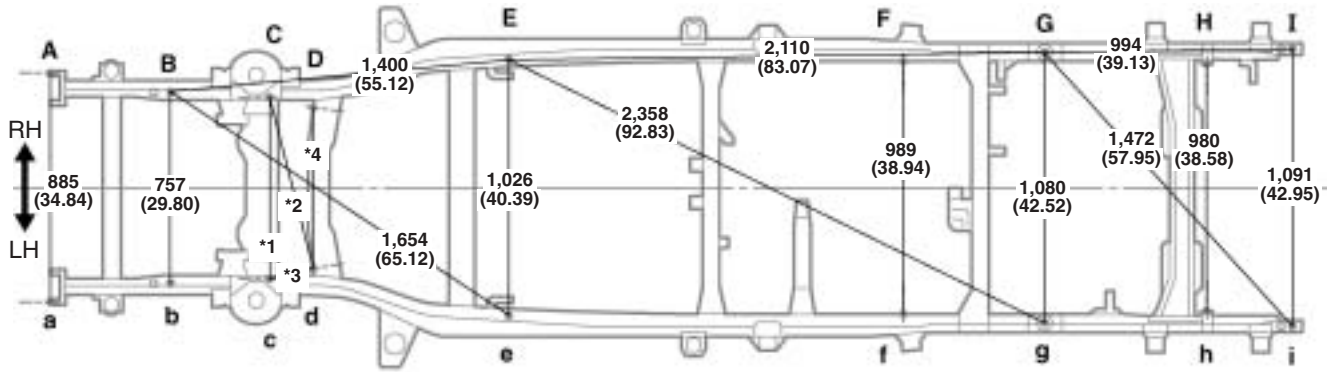
Imaginary Standard Line

mm (in.)

Symbol	Name	Hole dia.	Symbol	Name	Hole dia.
A, a	Body mounting hole	26 (1.02)	F	Rear body mounting hole	15 (0.59)
B, b	Shock absorber installation hole	12.2 (0.480)	f	Rear body mounting hole	23 × 15 (0.91 × 0.59)
C, c	Body mounting hole	31 (1.22)	G, g	Rear body mounting hole	24 (0.94)
D, d	Side rail inner channel standard hole	16 × 16 (0.63 × 0.63)	H, h	Rear body mounting hole	24 (0.94)
E, e	Rear body mounting hole	75 (2.95)	—	—	—

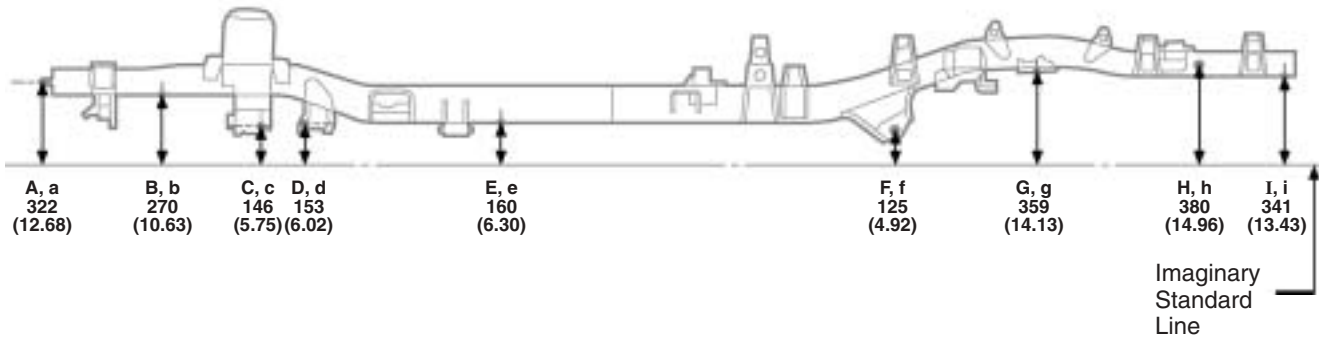
FRAME DIMENSION-Lower Face
Regular Cab 2WD

(Three-Dimensional Distance)



Front ←

*1	685 (26.97)
*2	682 (26.85)
*3	176 (6.93)
*4	634 (24.96)

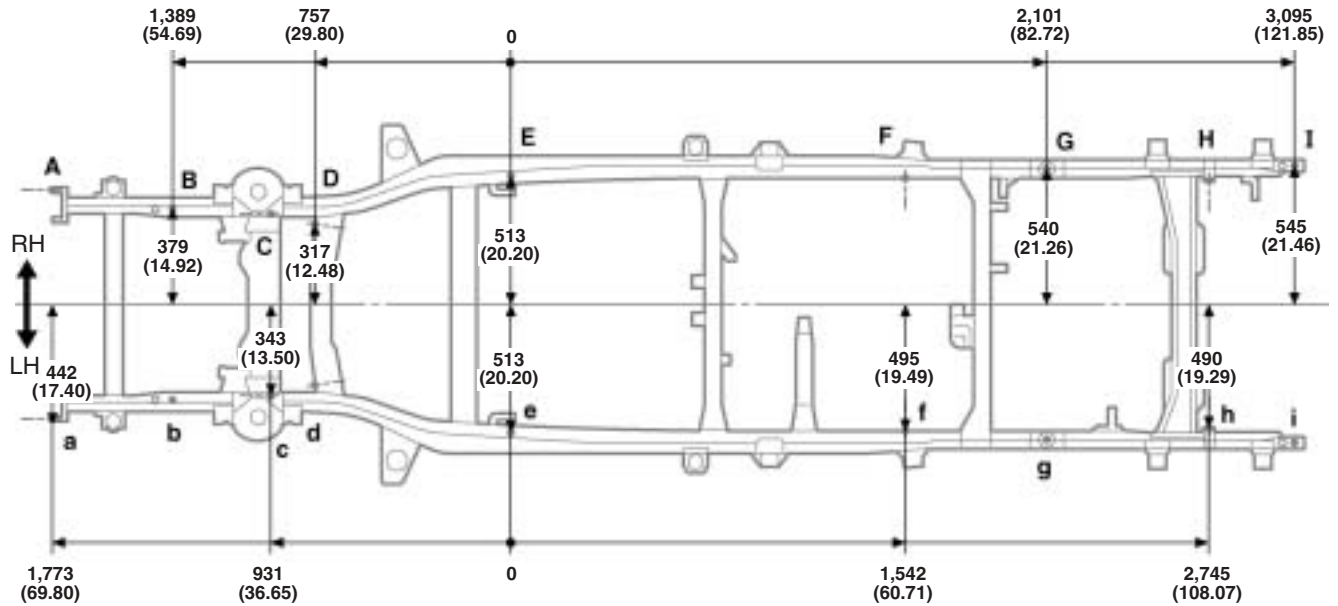


mm (in.)

Symbol	Name	Hole dia.	Symbol	Name	Hole dia.
A, a	Bumper reinforcement installation bolt	10 (0.39) bolt	F, f	Rear spring front hanger hole-inner	14.5 (0.571)
B, b	Stabilizer bracket installation nut	10 (0.39) nut	G, g	Bound stopper standard hole	9 (0.35)
C, c	Suspension lower arm installation hole	16.5 × 34.5 (0.650 × 1.358)	H, h	Rear spring rear hanger hole-inner	30.35 (1.195)
D, d	Suspension lower arm installation hole	16.5 × 34.5 (0.650 × 1.358)	I, i	Side rail outer channel standard hole	13 (0.51)
E, e	Side rail inner channel standard hole	16 × 16 (0.63 × 0.63)	—	—	—

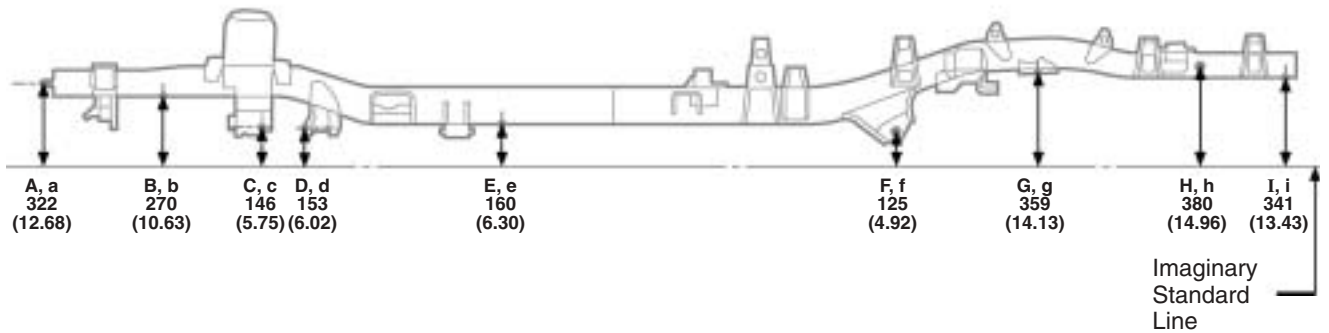
FRAME DIMENSION-Lower Face
Regular Cab 2WD

(Two-Dimensional Distance)



Front ←

Wheel Base	3,085 (121.46)
------------	----------------



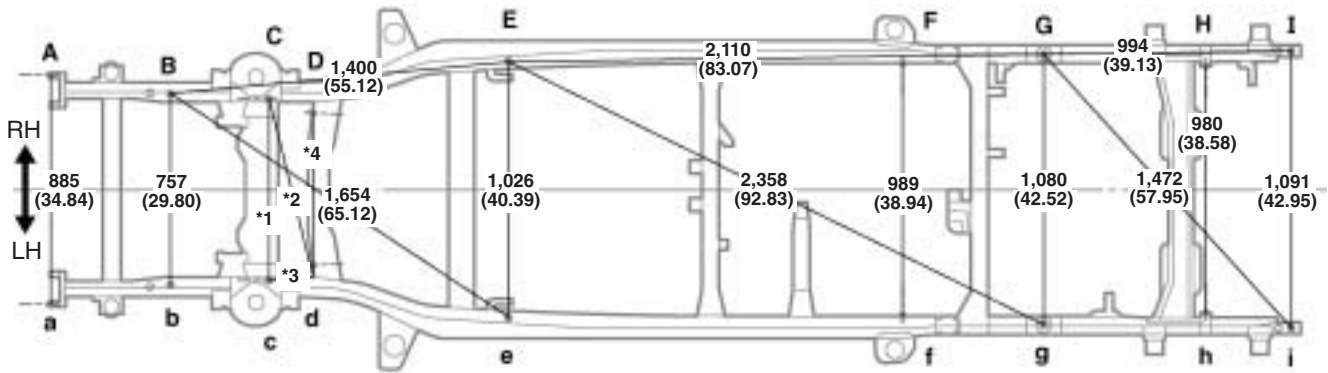
Imaginary Standard Line

mm (in.)

Symbol	Name	Hole dia.	Symbol	Name	Hole dia.
A, a	Bumper reinforcement installation bolt	10 (0.39) bolt	F, f	Rear spring front hanger hole-inner	14.5 (0.571)
B, b	Stabilizer bracket installation nut	10 (0.39) nut	G, g	Bound stopper standard hole	9 (0.35)
C, c	Suspension lower arm installation hole	16.5 × 34.5 (0.650 × 1.358)	H, h	Rear spring rear hanger hole-inner	30.35 (1.195)
D, d	Suspension lower arm installation hole	16.5 × 34.5 (0.650 × 1.358)	I, i	Side rail outer channel standard hole	13 (0.51)
E, e	Side rail inner channel standard hole	16 × 16 (0.63 × 0.63)	—	—	—

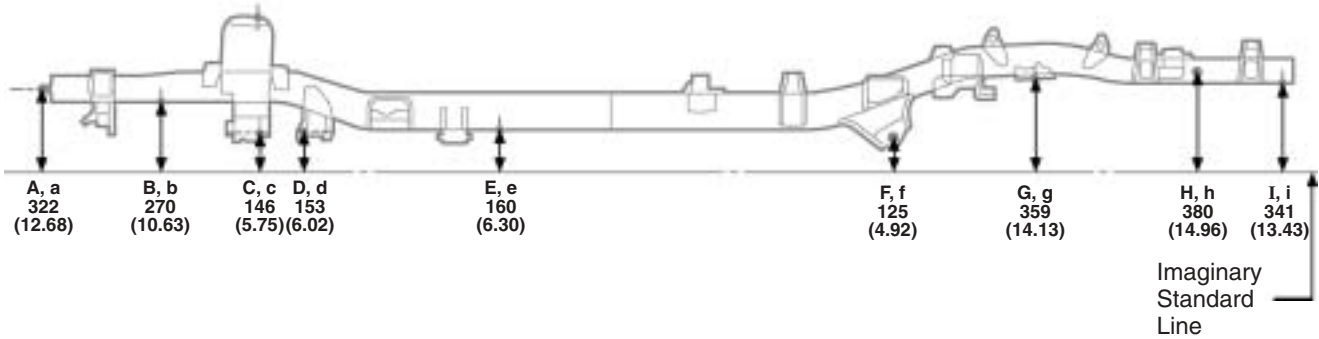
FRAME DIMENSION-Lower Face
Double Cab 2WD

(Three-Dimensional Distance)



*1	685 (26.97)
*2	682 (26.85)
*3	176 (6.93)
*4	634 (24.96)

Front ←

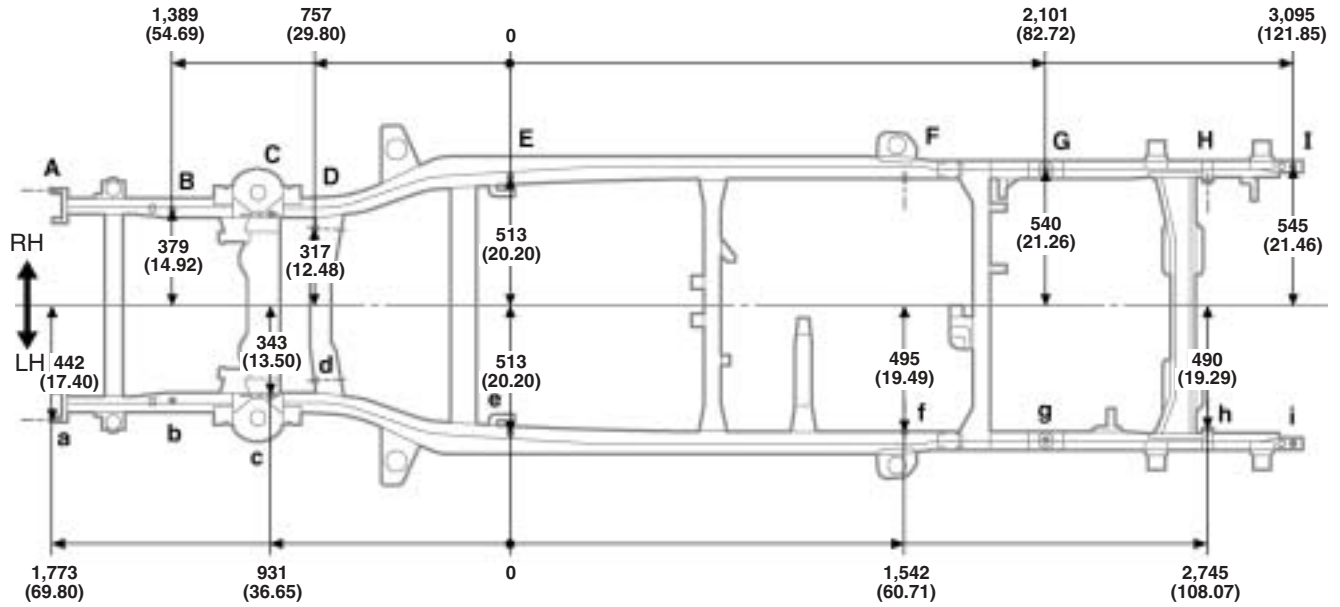


mm (in.)

Symbol	Name	Hole dia.	Symbol	Name	Hole dia.
A, a	Bumper reinforcement installation bolt	10 (0.39) bolt	F, f	Rear spring front hanger hole-inner	14.5 (0.571)
B, b	Stabilizer bracket installation nut	10 (0.39) nut	G, g	Bound stopper standard hole	9 (0.35)
C, c	Suspension lower arm installation hole	16.5 × 34.5 (0.650 × 1.358)	H, h	Rear spring rear hanger hole-inner	30.35 (1.195)
D, d	Suspension lower arm installation hole	16.5 × 34.5 (0.650 × 1.358)	I, i	Side rail outer channel standard hole	13 (0.51)
E, e	Side rail inner channel standard hole	16 × 16 (0.63 × 0.63)	—	—	—

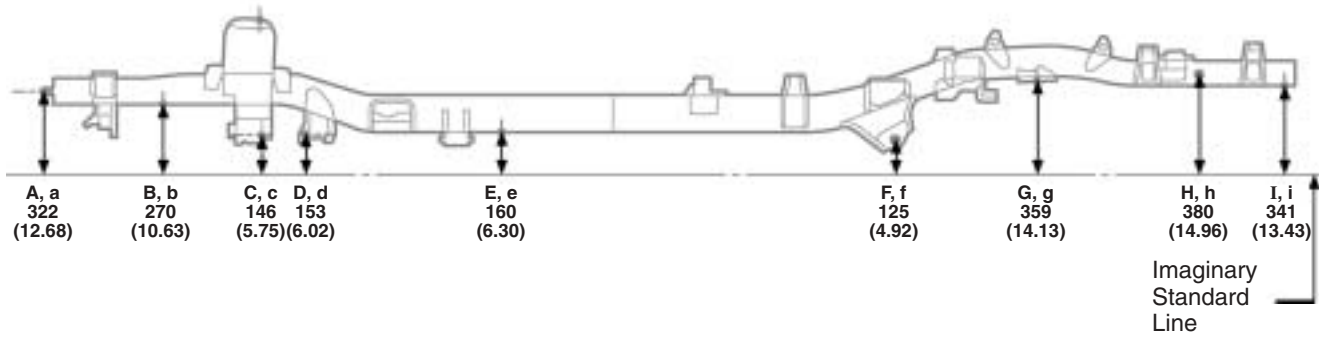
FRAME DIMENSION-Lower Face
Double Cab 2WD

(Two-Dimensional Distance)



Front ←

Wheel Base	3,085 (121.46)
------------	----------------

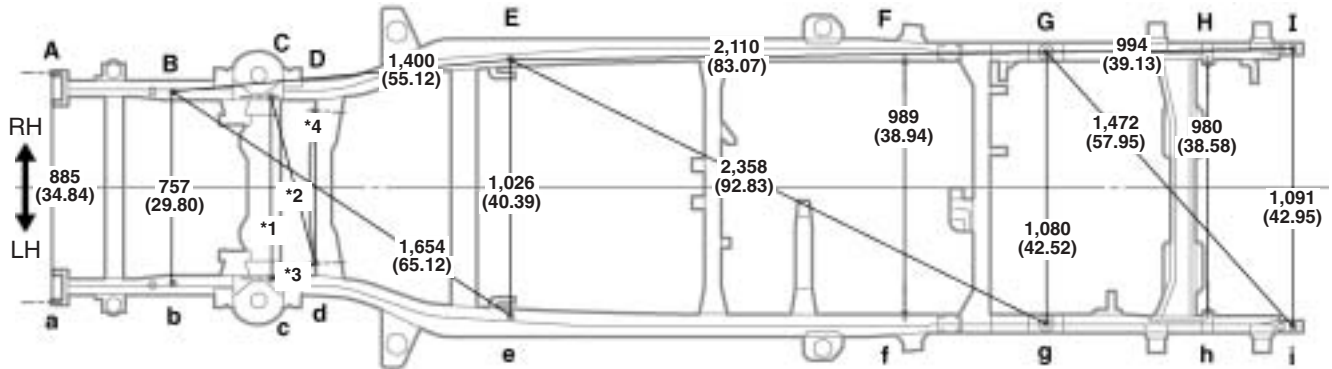


mm (in.)

Symbol	Name	Hole dia.	Symbol	Name	Hole dia.
A, a	Bumper reinforcement installation bolt	10 (0.39) bolt	F, f	Rear spring front hanger hole-inner	14.5 (0.571)
B, b	Stabilizer bracket installation nut	10 (0.39) nut	G, g	Bound stopper standard hole	9 (0.35)
C, c	Suspension lower arm installation hole	16.5 × 34.5 (0.650 × 1.358)	H, h	Rear spring rear hanger hole-inner	30.35 (1.195)
D, d	Suspension lower arm installation hole	16.5 × 34.5 (0.650 × 1.358)	I, i	Side rail outer channel standard hole	13 (0.51)
E, e	Side rail inner channel standard hole	16 × 16 (0.63 × 0.63)	—	—	—

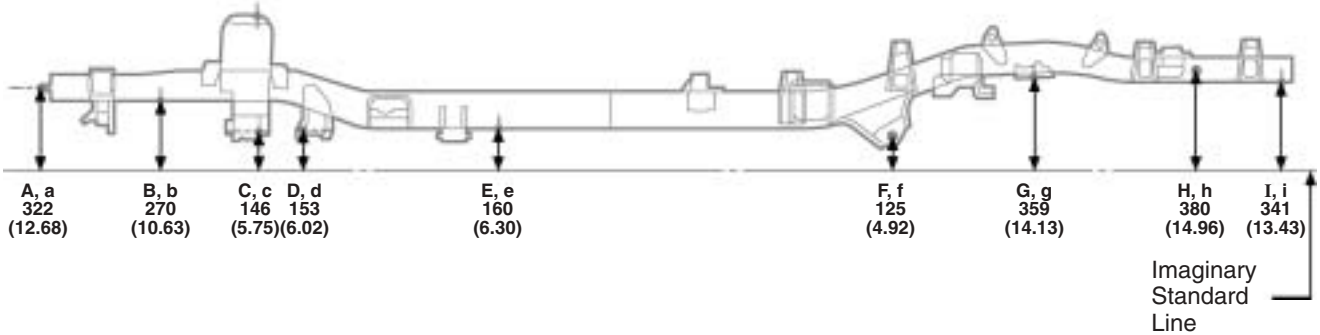
FRAME DIMENSION-Lower Face
Extra Cab 2WD

(Three-Dimensional Distance)



*1	685 (26.97)
*2	682 (26.85)
*3	176 (6.93)
*4	634 (24.96)

Front ←

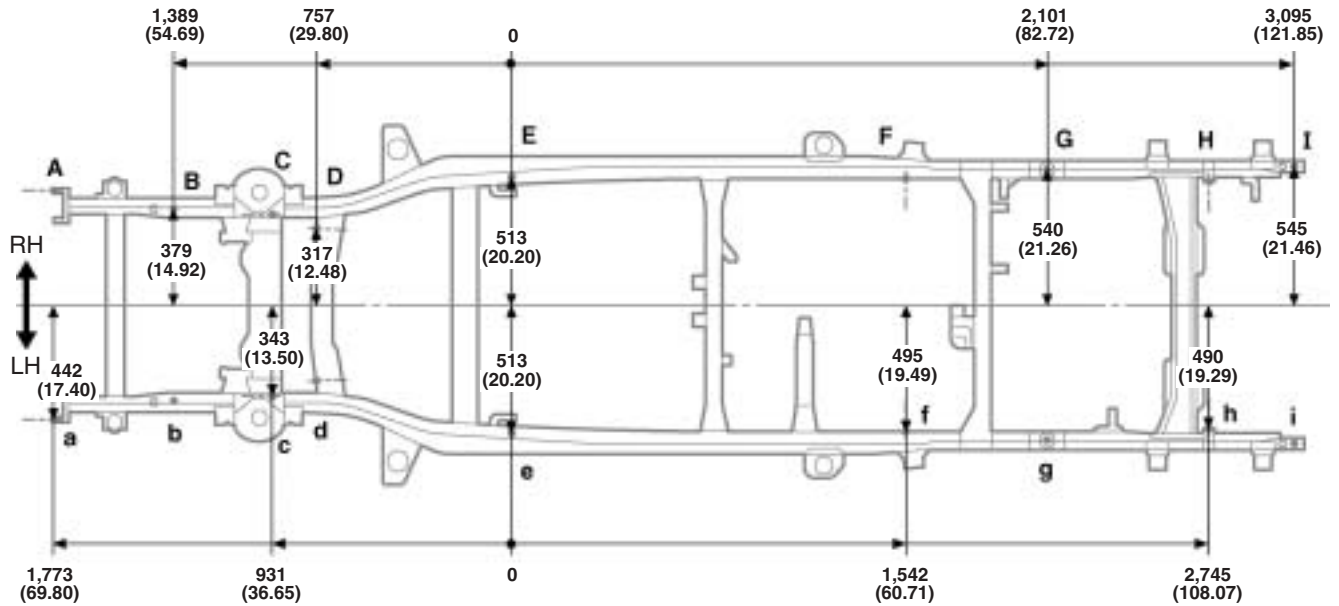


mm (in.)

Symbol	Name	Hole dia.	Symbol	Name	Hole dia.
A, a	Bumper reinforcement installation bolt	10 (0.39) bolt	F, f	Rear spring front hanger hole-inner	14.5 (0.571)
B, b	Stabilizer bracket installation nut	10 (0.39) nut	G, g	Bound stopper standard hole	9 (0.35)
C, c	Suspension lower arm installation hole	16.5 × 34.5 (0.650 × 1.358)	H, h	Rear spring rear hanger hole-inner	30.35 (1.195)
D, d	Suspension lower arm installation hole	16.5 × 34.5 (0.650 × 1.358)	I, i	Side rail outer channel standard hole	13 (0.51)
E, e	Side rail inner channel standard hole	16 × 16 (0.63 × 0.63)	—	—	—

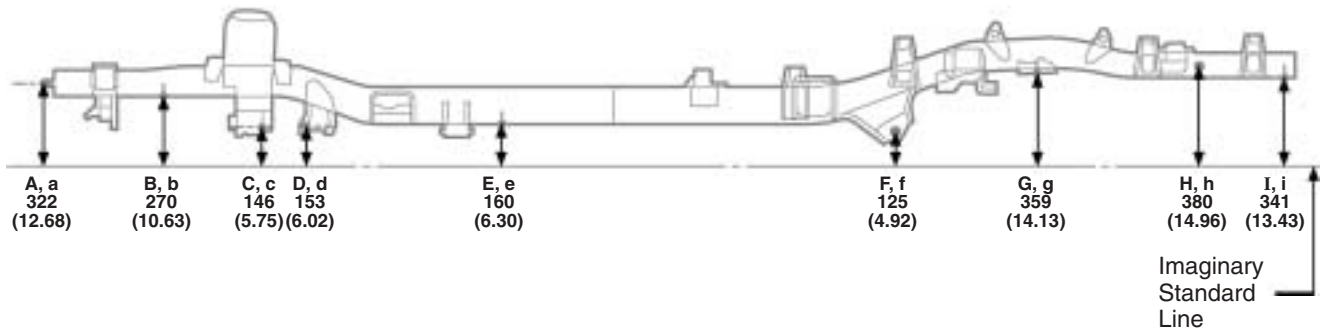
FRAME DIMENSION-Lower Face
Extra Cab 2WD

(Two-Dimensional Distance)



Front ←

Wheel Base	3,085 (121.46)
------------	----------------

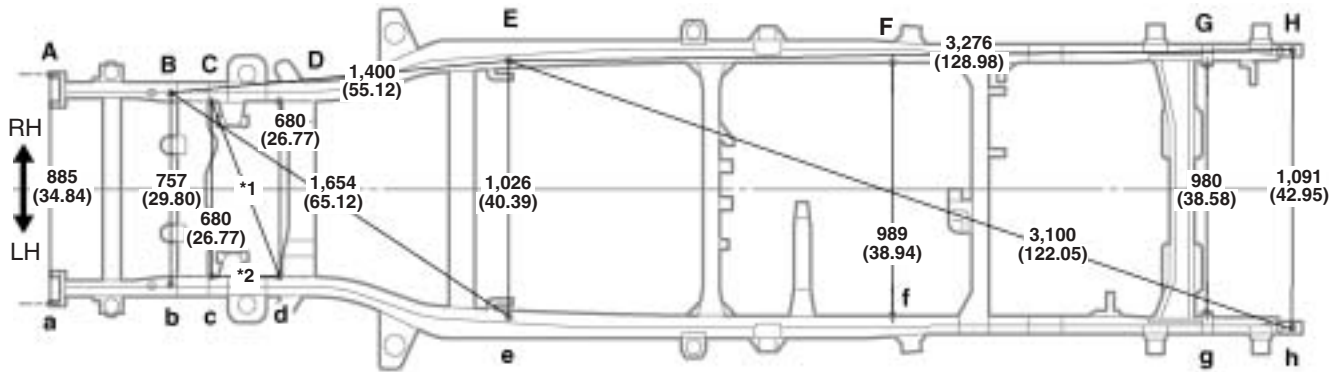


mm (in.)

Symbol	Name	Hole dia.	Symbol	Name	Hole dia.
A, a	Bumper reinforcement installation bolt	10 (0.39) bolt	F, f	Rear spring front hanger hole-inner	14.5 (0.571)
B, b	Stabilizer bracket installation nut	10 (0.39) nut	G, g	Bound stopper standard hole	9 (0.35)
C, c	Suspension lower arm installation hole	16.5 × 34.5 (0.650 × 1.358)	H, h	Rear spring rear hanger hole-inner	30.35 (1.195)
D, d	Suspension lower arm installation hole	16.5 × 34.5 (0.650 × 1.358)	I, i	Side rail outer channel standard hole	13 (0.51)
E, e	Side rail inner channel standard hole	16 × 16 (0.63 × 0.63)	—	—	—

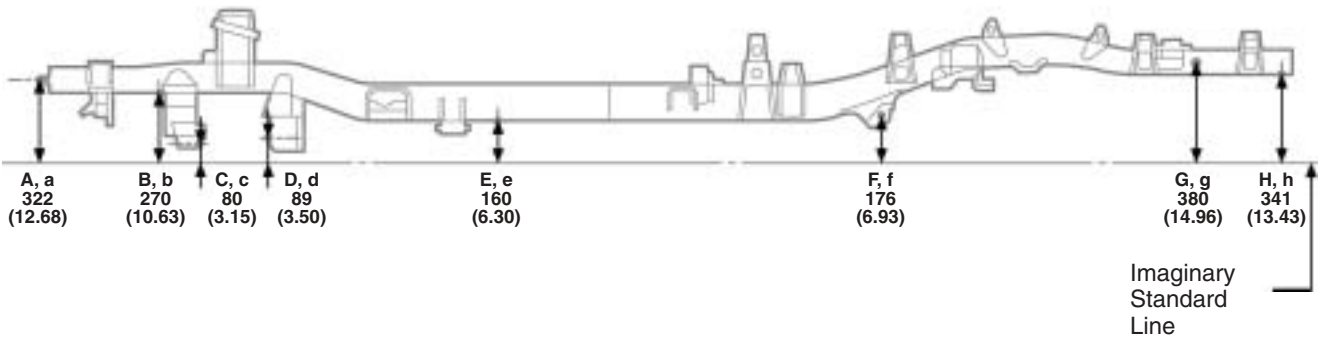
FRAME DIMENSION-Lower Face
Regular Cab 4WD

(Three-Dimensional Distance)



Front ←

*1	733(28.86)
*2	272 (10.71)

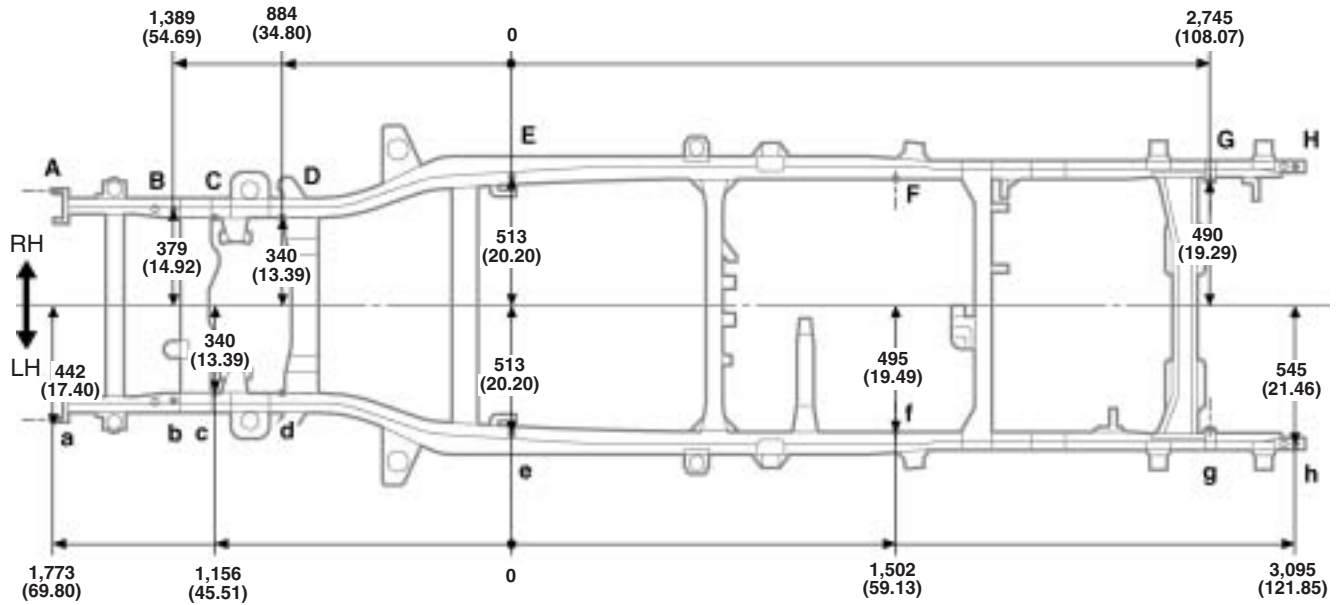


mm (in.)

Symbol	Name	Hole dia.	Symbol	Name	Hole dia.
A, a	Bumper reinforcement installation bolt	10 (0.39) bolt	E, e	Side rail inner channel standard hole	16 × 16 (0.63 × 0.63)
B, b	Stabilizer bracket installation nut	10 (0.39) nut	F, f	Rear spring front hanger hole-inner	14.2 (0.559)
C, c	Suspension lower arm installation hole	14.5 × 32.5 (0.571 × 1.280)	G, g	Rear spring rear hanger hole-inner	30.35 (1.195)
D, d	Suspension lower arm installation hole	16.5 × 34.5 (0.650 × 1.358)	H, h	Side rail outer channel standard hole	13 (0.51)

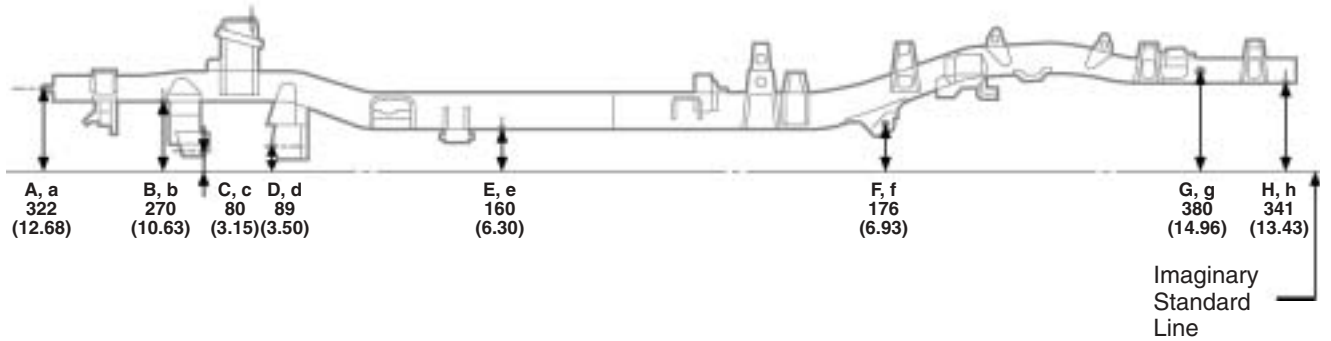
FRAME DIMENSION-Lower Face
Regular Cab 4WD

(Two-Dimensional Distance)



Front ←

Wheel Base	3,085 (121.46)
------------	----------------

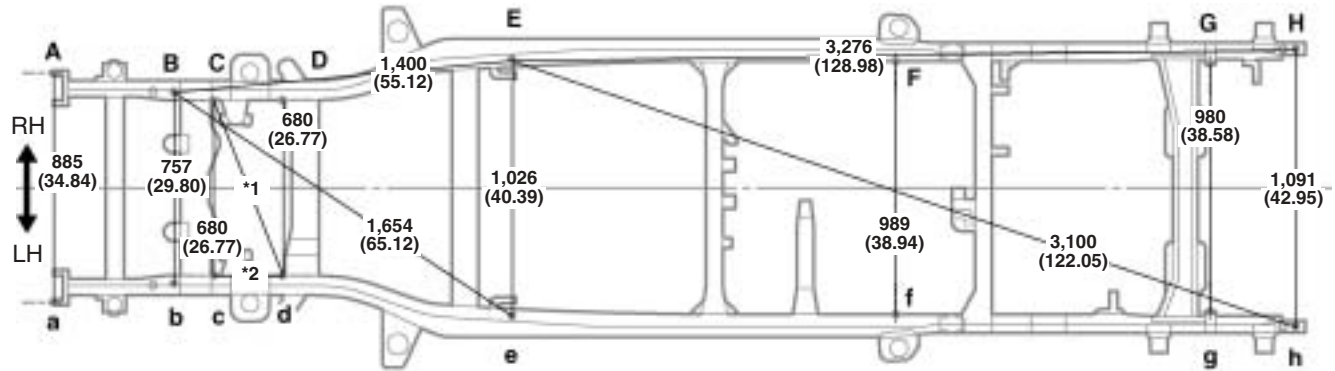


mm (in.)

Symbol	Name	Hole dia.	Symbol	Name	Hole dia.
A, a	Bumper reinforcement installation bolt	10 (0.39) bolt	E, e	Side rail inner channel standard hole	16 × 16 (0.63 × 0.63)
B, b	Stabilizer bracket installation nut	10 (0.39) nut	F, f	Rear spring front hanger hole-inner	14.2 (0.559)
C, c	Suspension lower arm installation hole	14.5 × 32.5 (0.571 × 1.280)	G, g	Rear spring rear hanger hole-inner	30.35 (1.195)
D, d	Suspension lower arm installation hole	16.5 × 34.5 (0.650 × 1.358)	H, h	Side rail outer channel standard hole	13 (0.51)

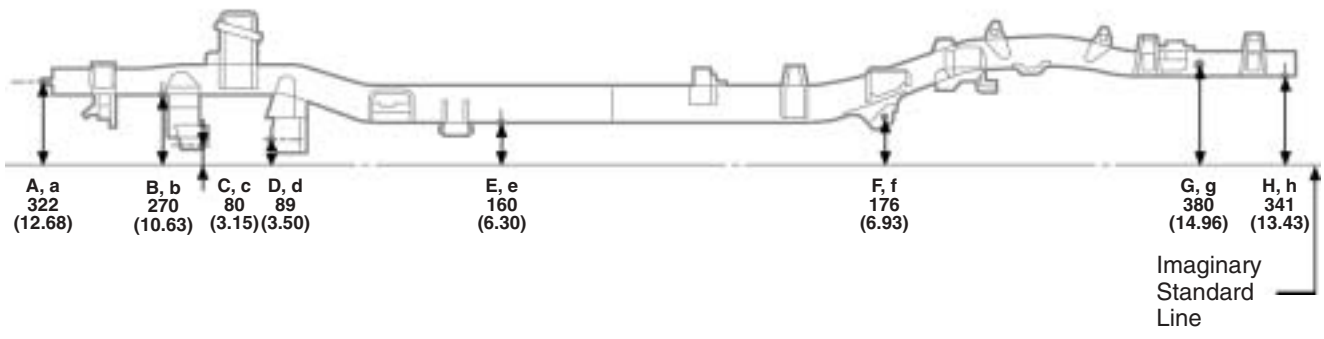
FRAME DIMENSION-Lower Face
Double Cab 4WD

(Three-Dimensional Distance)



Front ←

*1	733 (28.86)
*2	272 (10.71)

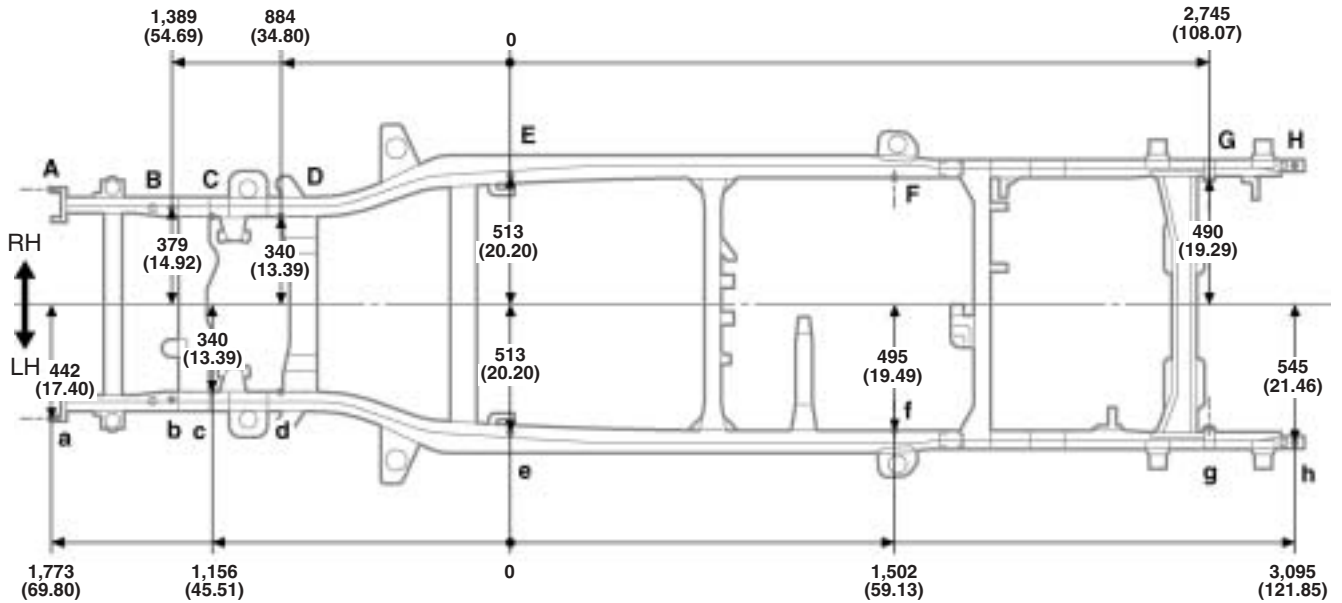


mm (in.)

Symbol	Name	Hole dia.	Symbol	Name	Hole dia.
A, a	Bumper reinforcement installation bolt	10 (0.39) bolt	E, e	Side rail inner channel standard hole	16 × 16 (0.63 × 0.63)
B, b	Stabilizer bracket installation nut	10 (0.39) nut	F, f	Rear spring front hanger hole-inner	14.2 (0.559)
C, c	Suspension lower arm installation hole	14.5 × 32.5 (0.571 × 1.280)	G, g	Rear spring rear hanger hole-inner	30.35 (1.195)
D, d	Suspension lower arm installation hole	16.5 × 34.5 (0.650 × 1.358)	H, h	Side rail outer channel standard hole	13 (0.51)

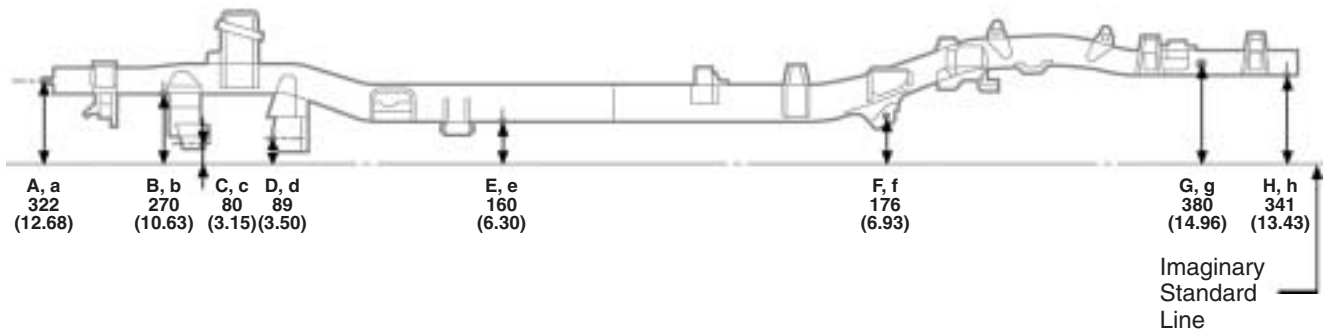
FRAME DIMENSION-Lower Face
Double Cab 4WD

(Two-Dimensional Distance)



Front ←

Wheel Base	3,085 (121.46)
------------	----------------



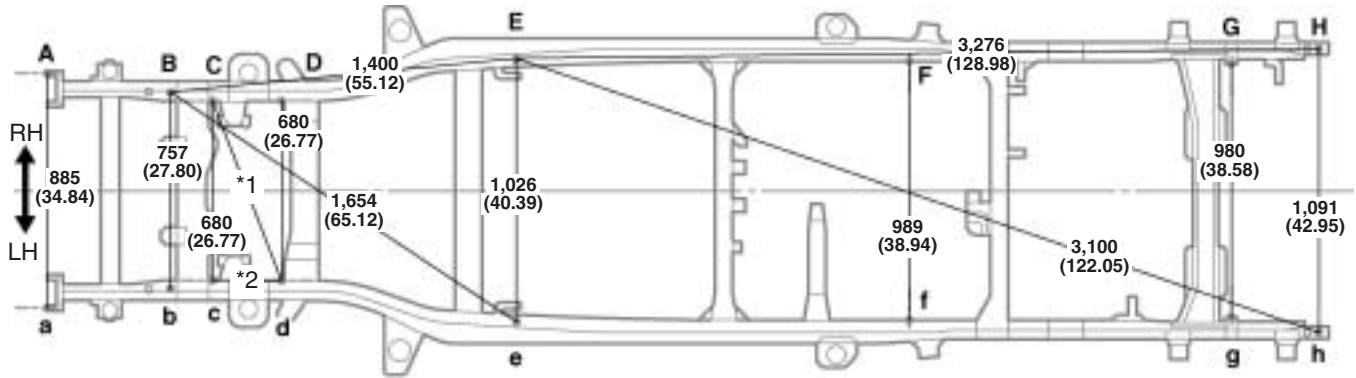
Imaginary Standard Line

mm (in.)

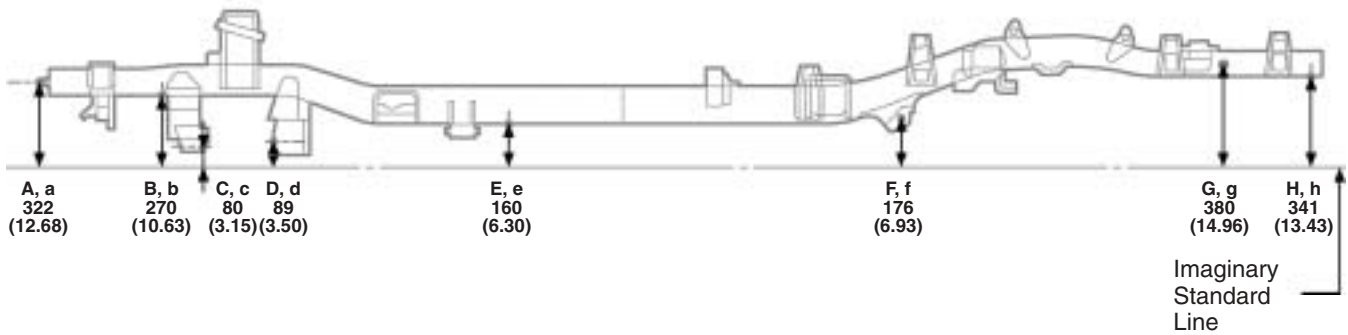
Symbol	Name	Hole dia.	Symbol	Name	Hole dia.
A, a	Bumper reinforcement installation bolt	10 (0.39) bolt	E, e	Side rail inner channel standard hole	16 × 16 (0.63 × 0.63)
B, b	Stabilizer bracket installation nut	10 (0.39) nut	F, f	Rear spring front hanger hole-inner	14.2 (0.559)
C, c	Suspension lower arm installation hole	14.5 × 32.5 (0.571 × 1.280)	G, g	Rear spring rear hanger hole-inner	30.35 (1.195)
D, d	Suspension lower arm installation hole	16.5 × 34.5 (0.650 × 1.358)	H, h	Side rail outer channel standard hole	13 (0.51)

FRAME DIMENSION-Lower Face
Extra Cab 4WD

(Three-Dimensional Distance)



Front ←

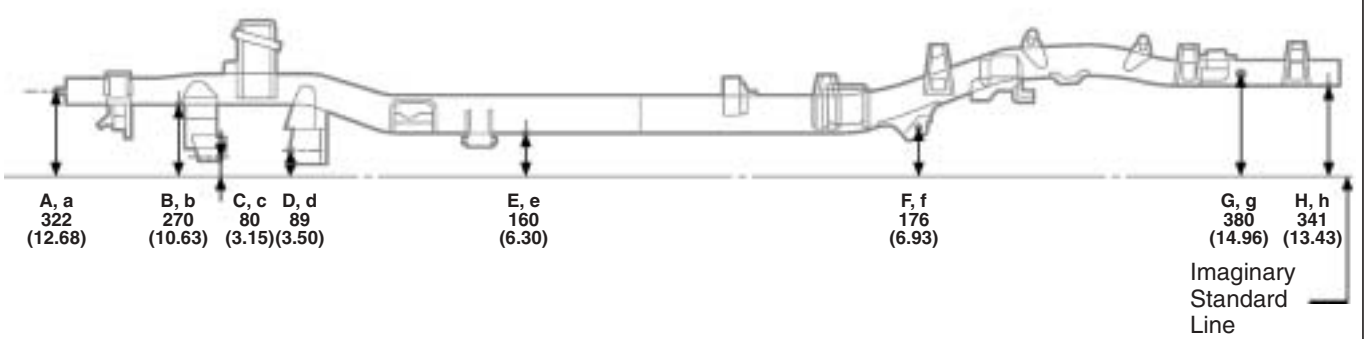
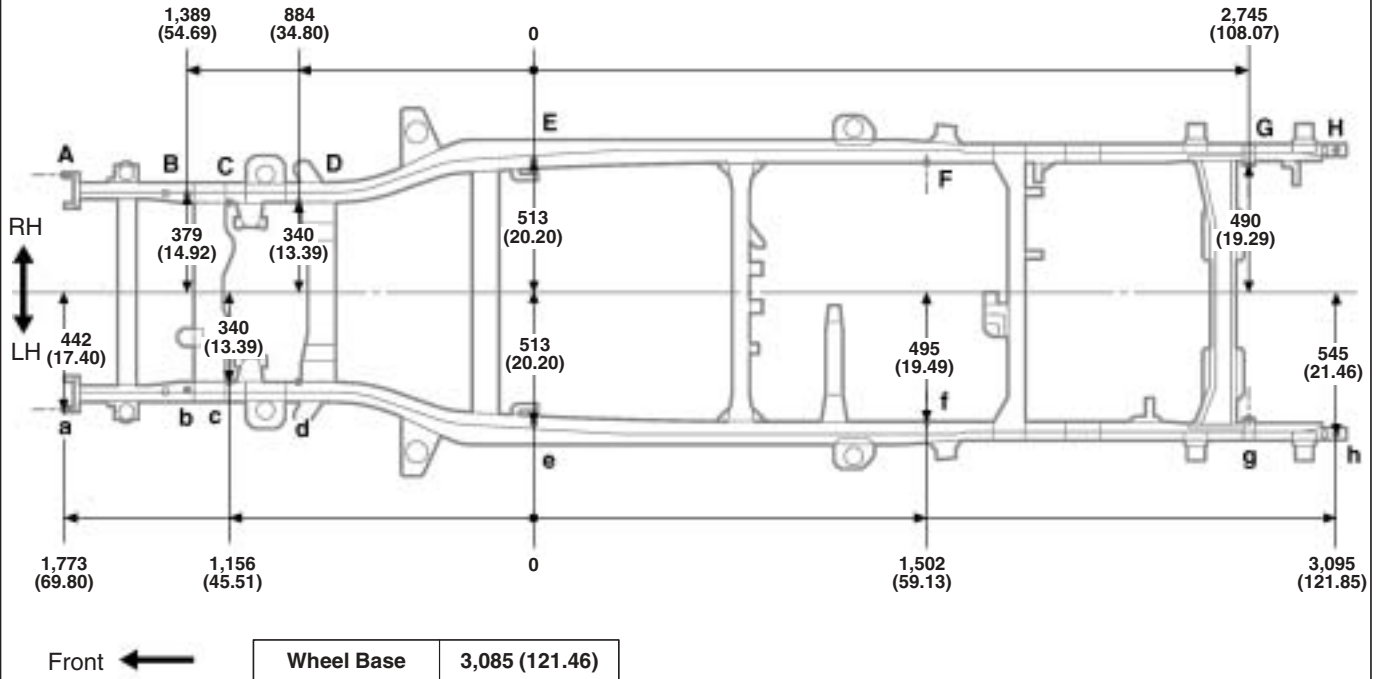


mm (in.)

Symbol	Name	Hole dia.	Symbol	Name	Hole dia.
A, a	Bumper reinforcement installation bolt	10 (0.39) bolt	E, e	Side rail inner channel standard hole	16 × 16 (0.63 × 0.63)
B, b	Stabilizer bracket installation nut	10 (0.39) nut	F, f	Rear spring front hanger hole-inner	14.2 (0.559)
C, c	Suspension lower arm installation hole	14.5 × 32.5 (0.571 × 1.280)	G, g	Rear spring rear hanger hole-inner	30.35 (1.195)
D, d	Suspension lower arm installation hole	16.5 × 34.5 (0.650 × 1.358)	H, h	Side rail outer channel standard hole	13 (0.51)

FRAME DIMENSION-Lower Face
Extra Cab 4WD

(Two-Dimensional Distance)



mm (in.)

Symbol	Name	Hole dia.	Symbol	Name	Hole dia.
A, a	Bumper reinforcement installation bolt	10 (0.39) bolt	E, e	Side rail inner channel standard hole	16 × 16 (0.63 × 0.63)
B, b	Stabilizer bracket installation nut	10 (0.39) nut	F, f	Rear spring front hanger hole-inner	14.2 (0.559)
C, c	Suspension lower arm installation hole	14.5 × 32.5 (0.571 × 1.280)	G, g	Rear spring rear hanger hole-inner	30.35 (1.195)
D, d	Suspension lower arm installation hole	16.5 × 34.5 (0.650 × 1.358)	H, h	Side rail outer channel standard hole	13 (0.51)