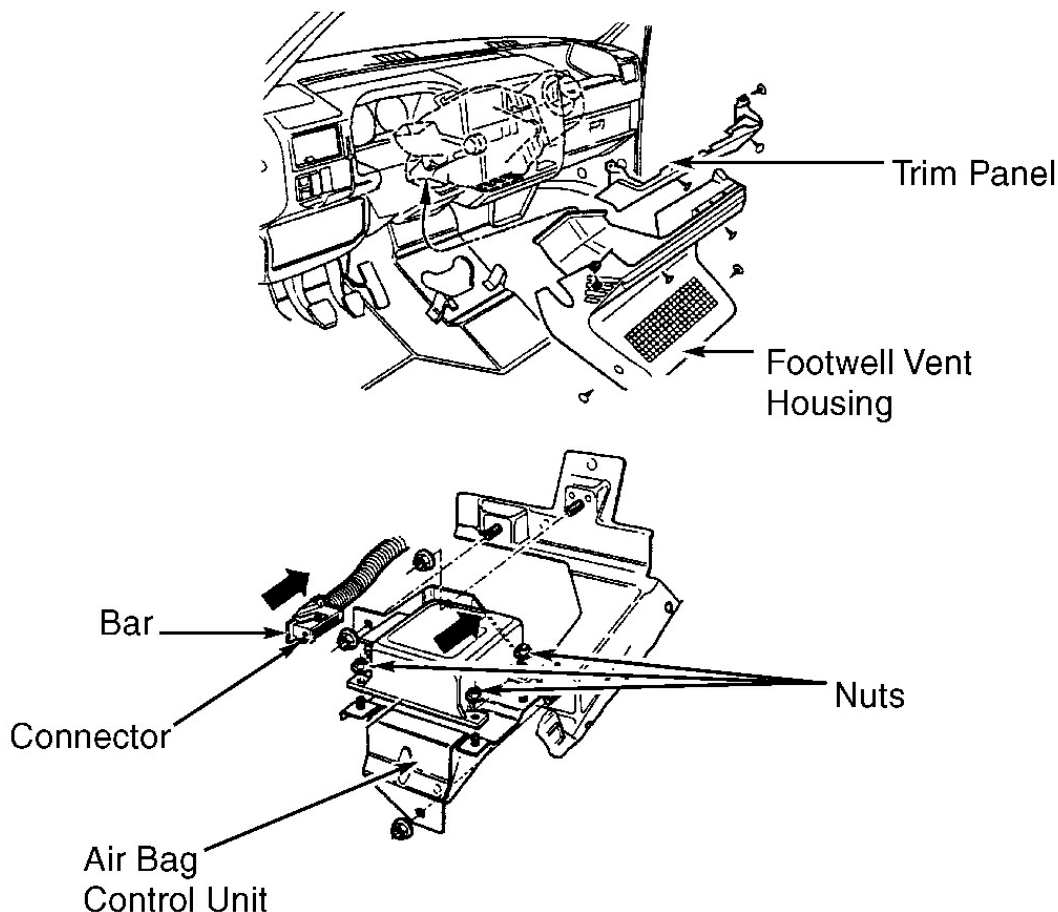


replacement air bag control module. See **CODING AIR BAG CONTROL MODULE** under **DIAGNOSTICS**. Go to **SYSTEM OPERATION CHECK**.



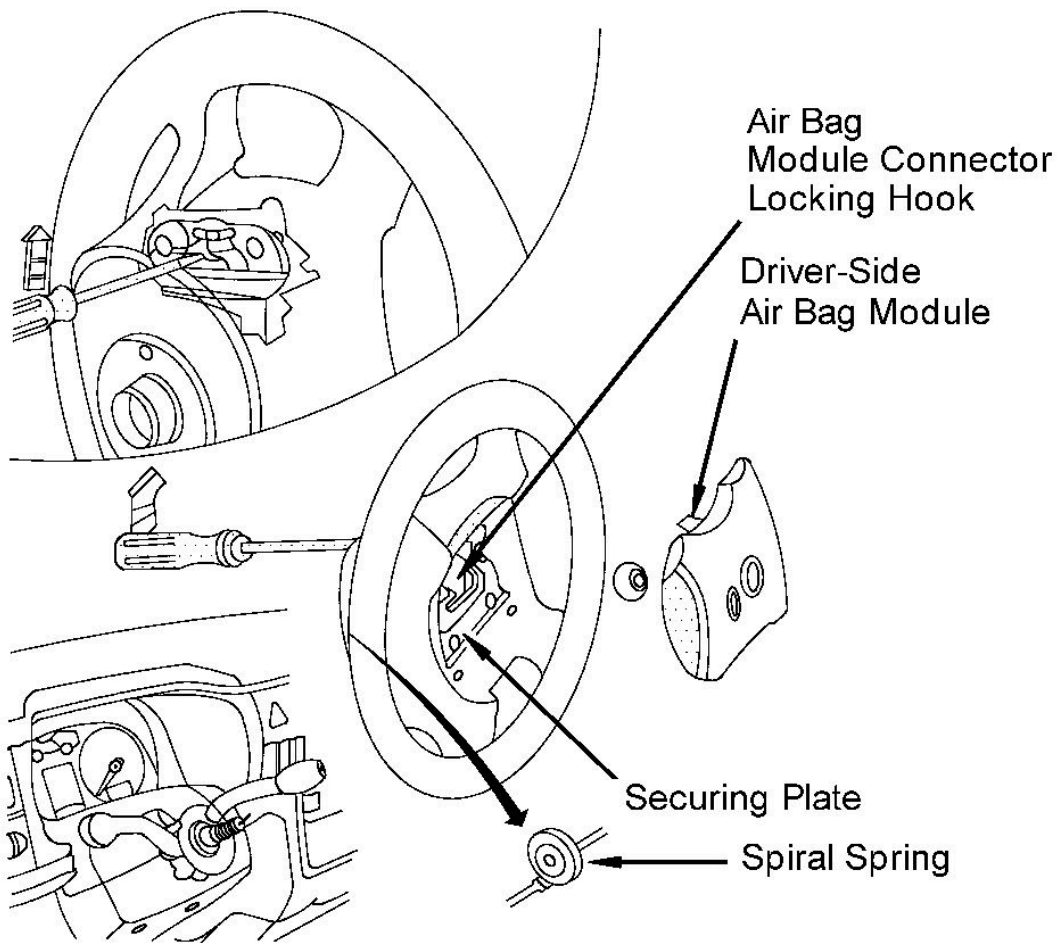
99D01765

Fig. 2: Removing Air Bag Control Module
Courtesy of VOLKSWAGEN UNITED STATES, INC.

DRIVER-SIDE AIR BAG MODULE

Removal & Installation

1. Disable air bag system. See **DISABLING & ACTIVATING AIR BAG SYSTEM**. Insert a 7" (175 mm) long screwdriver 1.8" (45 mm) into hole in back of steering wheel. See **Fig. 3**.
2. Lift screwdriver handle in direction of arrow so clip is pressed back and locking lug is released. Turn steering wheel 180 degrees and repeat procedure for second locking lug on opposite side. Place front wheels in straight-ahead position. Pull air bag module away from steering wheel, disconnect connector and remove air bag module.
3. To install, reverse removal procedure. Activate air bag system. See **DISABLING & ACTIVATING AIR BAG SYSTEM**. Check system for proper operation. Go to **SYSTEM OPERATION CHECK**.



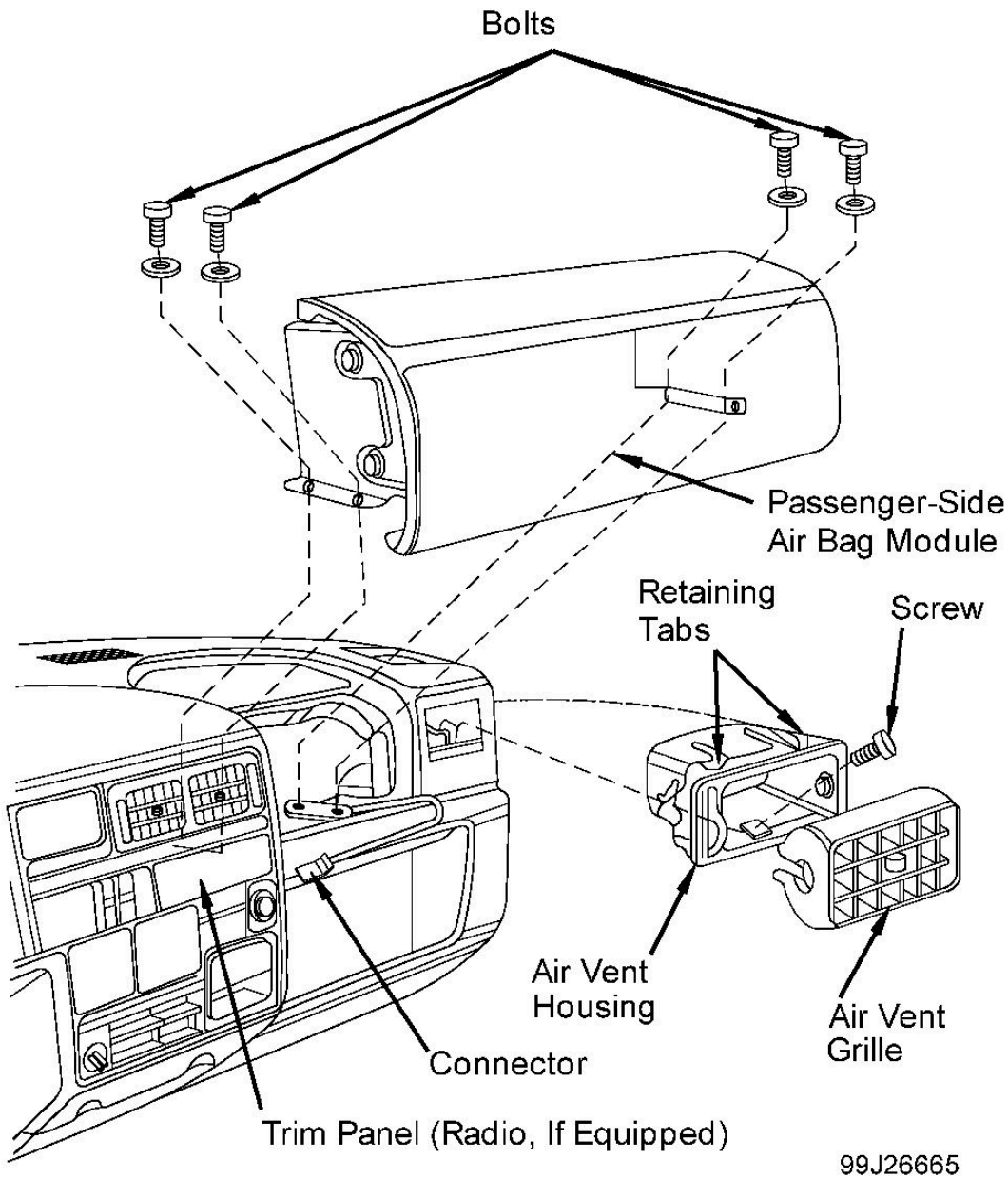
99C23863

Fig. 3: Removing Driver-side Air Bag Module
 Courtesy of VOLKSWAGEN UNITED STATES, INC.

PASSENGER-SIDE AIR BAG MODULE

Removal & Installation (Standard Instrument Panel)

1. Disable air bag system. See **DISABLING & ACTIVATING AIR BAG SYSTEM**. Using long-nose pliers, carefully pull out right-side air vent grill. See **Fig. 4**. Remove screw, release retaining tabs and pull out air vent housing. Remove trim panel or radio. Working through radio and air vent openings, remove 4 air bag module bolts and disconnect connector. Remove air bag module.
2. To install, reverse removal procedure. Tighten air bag module bolts to specifications. See **TORQUE SPECIFICATIONS**. Activate air bag system. Go to **SYSTEM OPERATION CHECK**.



99J26665

Fig. 4: Removing Passenger-side Air Bag Module (Standard Instrument Panel)
 Courtesy of VOLKSWAGEN UNITED STATES, INC.

Removal & Installation (Molded Instrument Panel)

1. Disable air bag system. See **DISABLING & ACTIVATING AIR BAG SYSTEM**. Air bag module is located on right side of instrument panel.
2. Using long-nose pliers, carefully pull out right-side air vent grill. See **Fig. 5**. Remove screw, release retaining tabs and pull out air vent housing. Remove trim panel or radio. Working through radio and air vent openings, remove 6 air bag module cover screws and cover. Remove air bag module screws at angle bracket, and bolts at angle bracket-to-crossmember, if necessary. Disconnect connector. Remove air bag module.

- To install, reverse removal procedure. Tighten screws and bolts to specifications. See **TORQUE SPECIFICATIONS**. Activate air bag system. Check system for proper operation. Go to **SYSTEM OPERATION CHECK**.

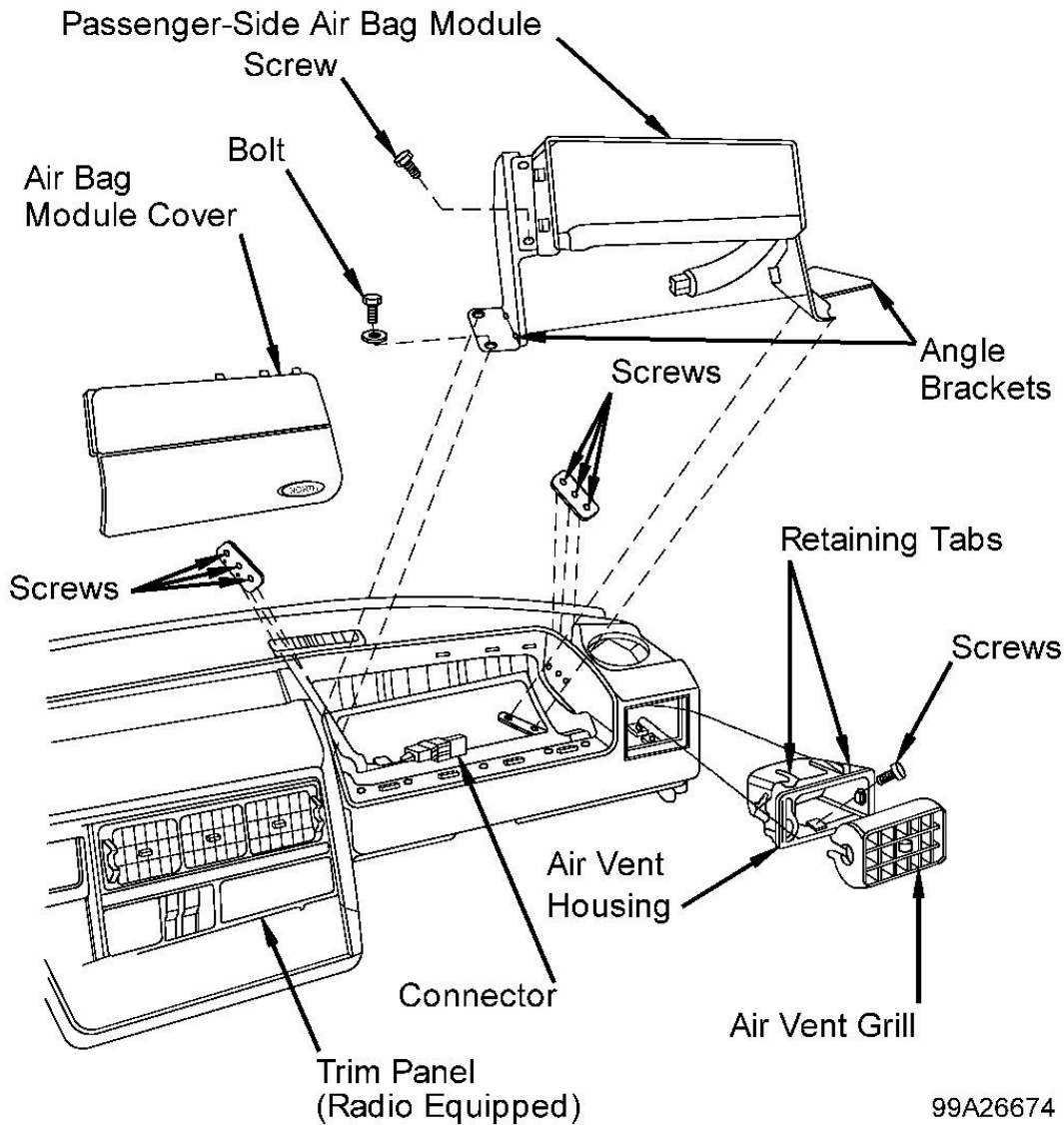


Fig. 5: Removing Passenger-side Air Bag Module (Molded Instrument Panel)
 Courtesy of VOLKSWAGEN UNITED STATES, INC.

SPIRAL SPRING (MOLDED INSTRUMENT PANEL)

Removal & Installation

- Disable air bag system. See **DISABLING & ACTIVATING AIR BAG SYSTEM**. Ensure front wheels are in straight-ahead position. Spiral spring is attached to back of steering wheel. See **Fig. 6**.
- Remove steering wheel. See **STEERING WHEEL**. Disconnect horn connector. Remove 3 Torx screws and remove spiral spring from back of steering wheel.

3. To install, reverse removal procedure. New spiral spring has cable tie locking assembly in centered position. Remove cable tie before installing spiral spring. Tighten spiral spring Torx screws to specifications. See **TORQUE SPECIFICATIONS**.
4. If spiral spring has been moved, ensure it is centered. See **CENTERING SPIRAL SPRING** under **ADJUSTMENTS**. Ensure front wheels are in straight-ahead position. Activate air bag system. Check system for proper operation. Go to **SYSTEM OPERATION CHECK**.

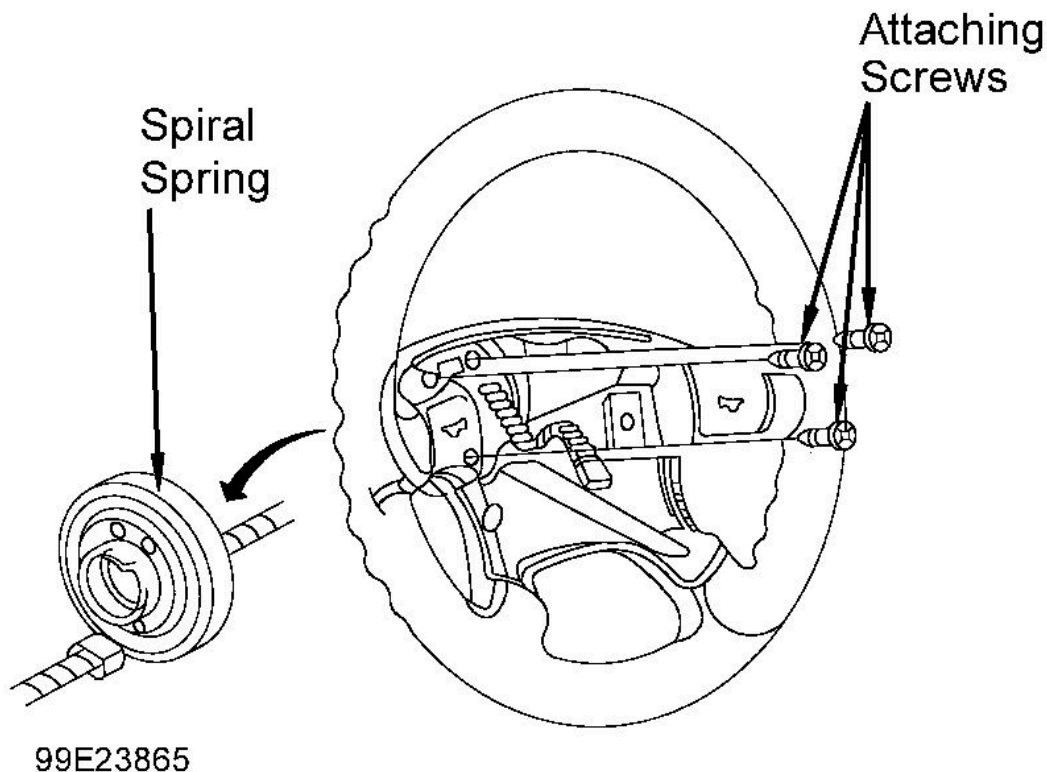


Fig. 6: Removing Spiral Spring

Courtesy of VOLKSWAGEN UNITED STATES, INC.

STEERING WHEEL

Removal & Installation

1. Disable air bag system. See **DISABLING & ACTIVATING AIR BAG SYSTEM**. Remove driver-side air bag module. See **DRIVER-SIDE AIR BAG MODULE**. Remove lower steering column trim. Locate electrical connector under steering column trim, remove foam covering and disconnect connector. Remove steering wheel nut and pull steering wheel off steering column.
2. To install, reverse removal procedure. Tighten steering wheel nut to specifications. See **TORQUE SPECIFICATIONS**. Activate air bag system. Check system for proper operation. Go to **SYSTEM OPERATION CHECK**.

DIAGNOSTICS