

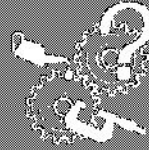
# VOLVO

## Service Bulletin

Fault tracing

Repairs

Maintenance



SECTION	GROUP	NO
1	18	1
DATE July 1986		
RE. Corrosion protection inspection		
740/760		

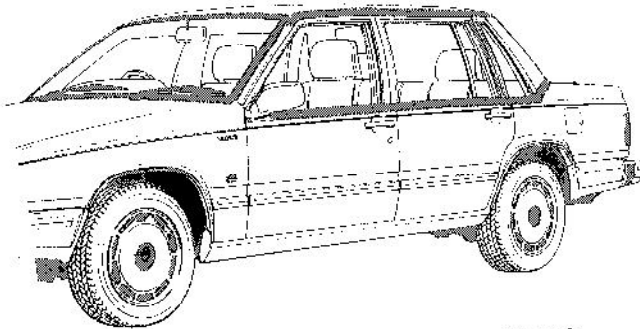
Page 1 of 3

### Inspection of corrosion protection after 3 and 6 years

#### Check vehicle externally

If damaged surfaces are found which could cause rust this should be brought to the owners attention.

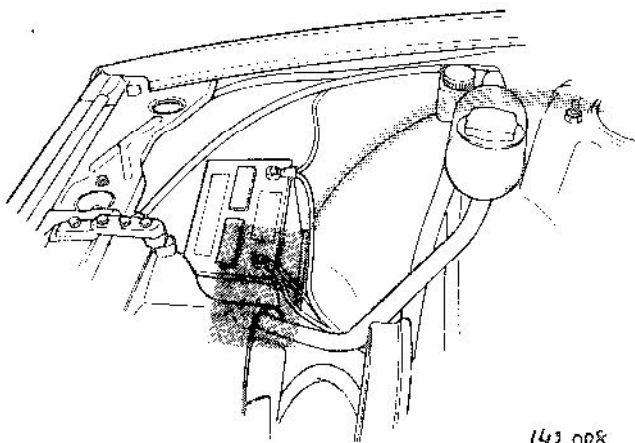
The rustproofing on surfaces which have already been repaired should also be inspected.



141 997

#### External check

Inspect roof edges, window apertures and surface below window scraper moulding.



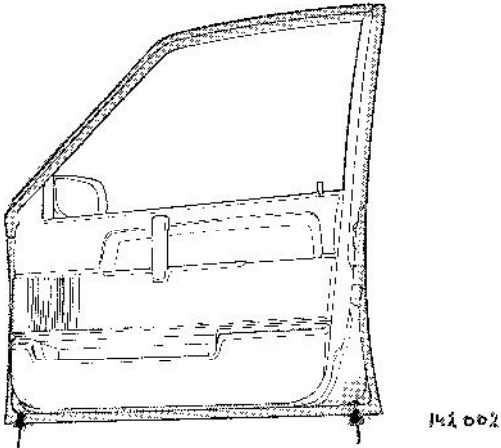
142 008

#### Open all doors, boot and bonnet

#### Engine compartment:

Check battery shelf and edges of wheel housing.

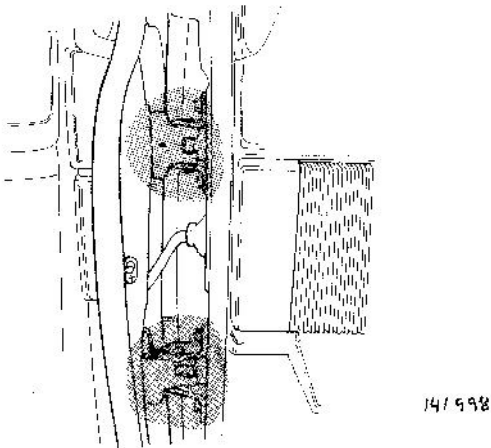
Also check bonnet hinge mounts, edge of bonnet and bonnet lock.



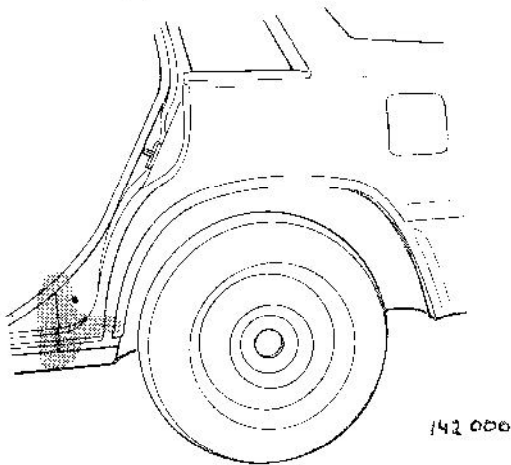
### Doors

Check surfaces surrounding drain holes.  
(Make sure drain holes are not blocked.)

Check door flanges.



Check door hinges.

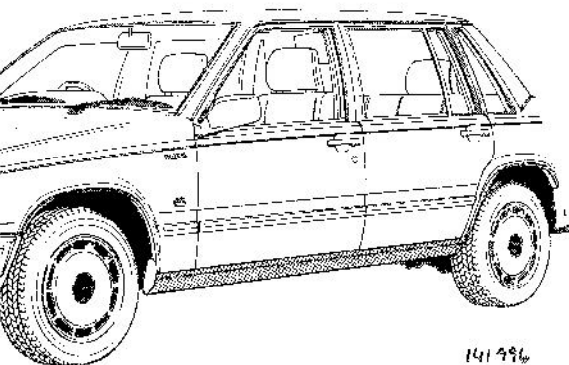


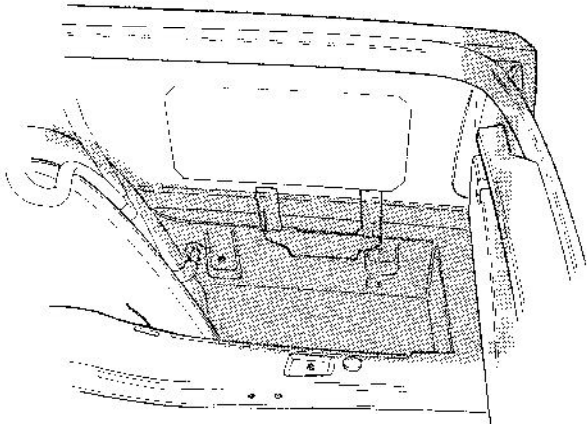
### Rear wings:

Check bottom rail joints.

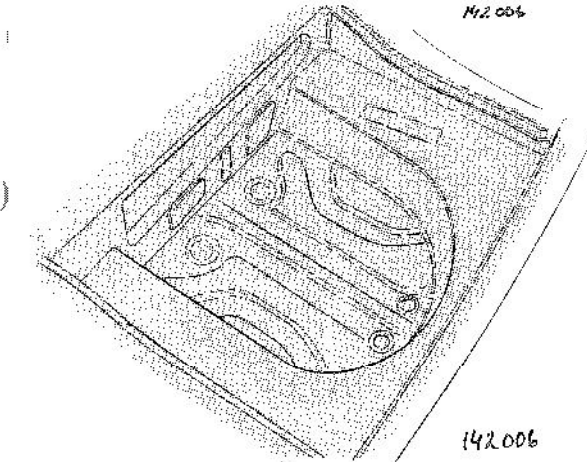
### Bottom rail:

Check outer side of bottom rail for stone chip damage.

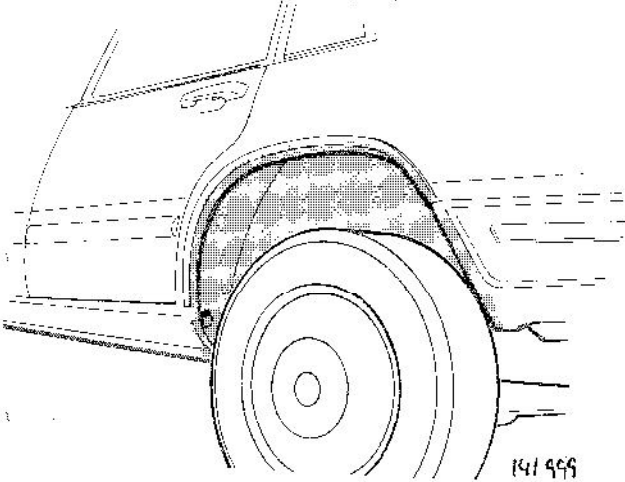


**Boots:**

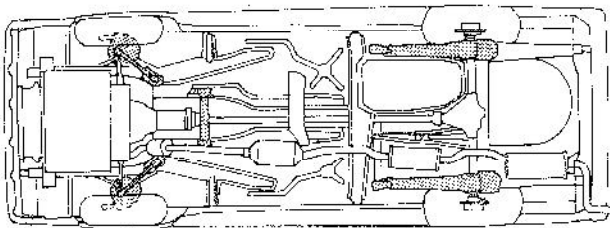
Check rear wing seams.



Check spare wheel well, edges and joints.

**Raise vehicle:**

Check wheelhousing and edges, front and rear.

**Underbody:**

Check spring struts and link rod mounts, gearbox cross member and rear support arms.

Check undercarriage for damage.

Make sure that all water drain openings are open.

