

ACCESSORY DRIVE BELT AND TENSIONER (B5254T3 AND B5254T7)

ACCESSORY DRIVE BELT

REMOVAL

Remove right front wheel. See [WHEELS](#)

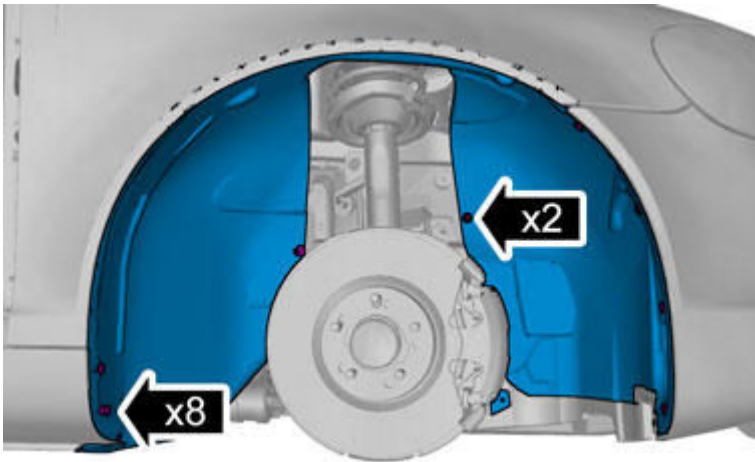


Fig. 1: Removing Fender Liner

Courtesy of VOLVO CARS CORPORATION

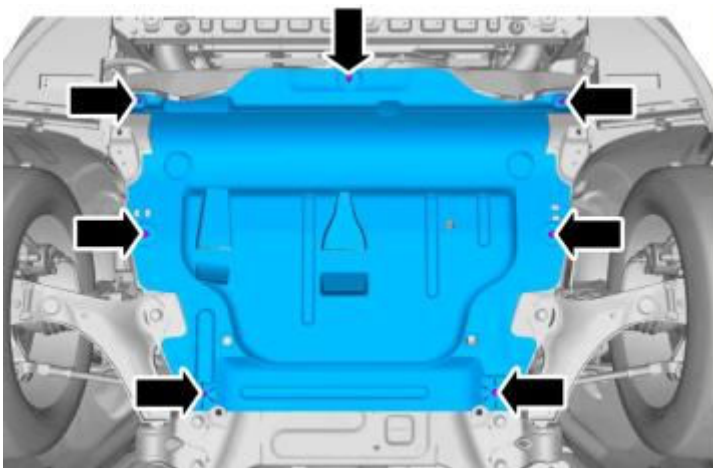


Fig. 2: Identifying Splash Panel Screws

Courtesy of VOLVO CARS CORPORATION

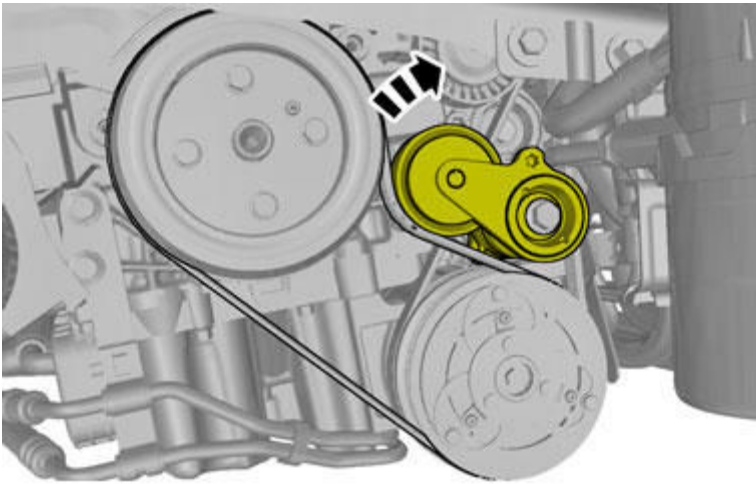


Fig. 3: Loosening Belt Tension
Courtesy of VOLVO CARS CORPORATION

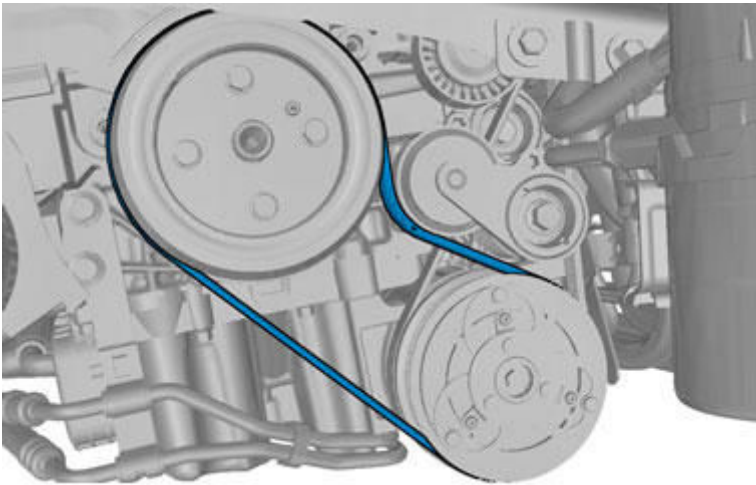


Fig. 4: Removing Belt
Courtesy of VOLVO CARS CORPORATION

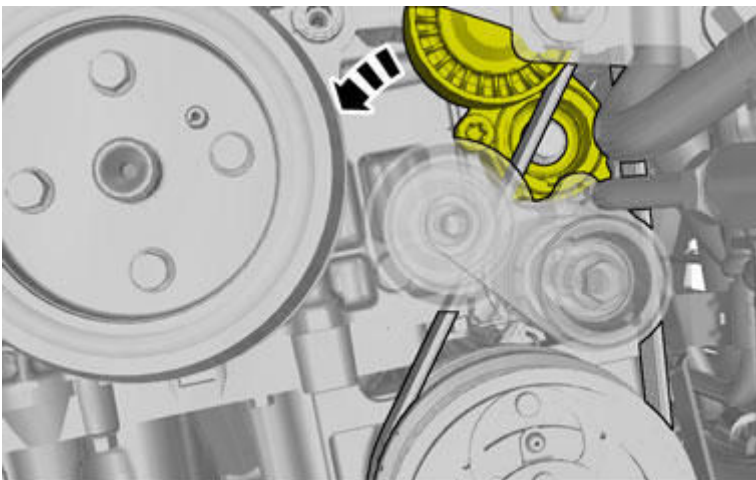


Fig. 5: Loosening Belt Tension

Courtesy of VOLVO CARS CORPORATION

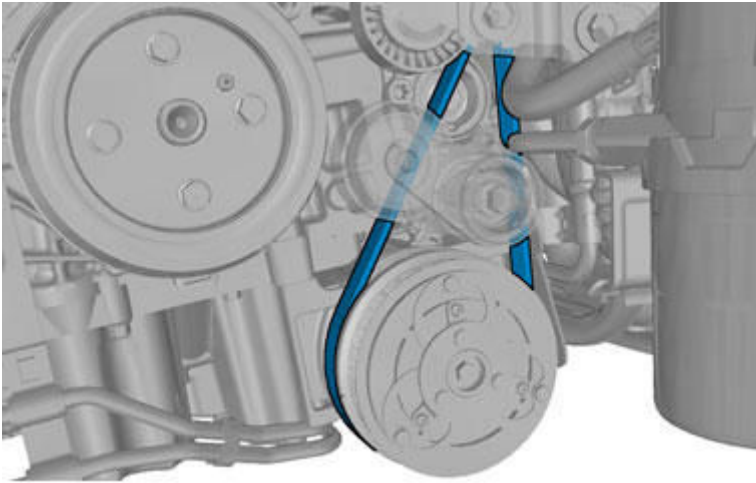


Fig. 6: Removing Belt

Courtesy of VOLVO CARS CORPORATION

INSTALLATION

To install, reverse the removal procedure.

ACCESSORY DRIVE BELT TENSIONER

REMOVAL

Remove the auxiliaries belt. See [ACCESSORY DRIVE BELT](#)

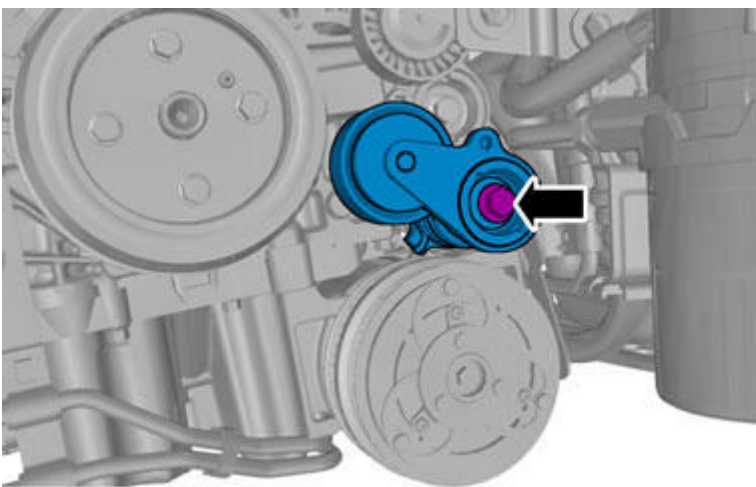


Fig. 7: Removing/Installing Tensioner Bolt

Courtesy of VOLVO CARS CORPORATION

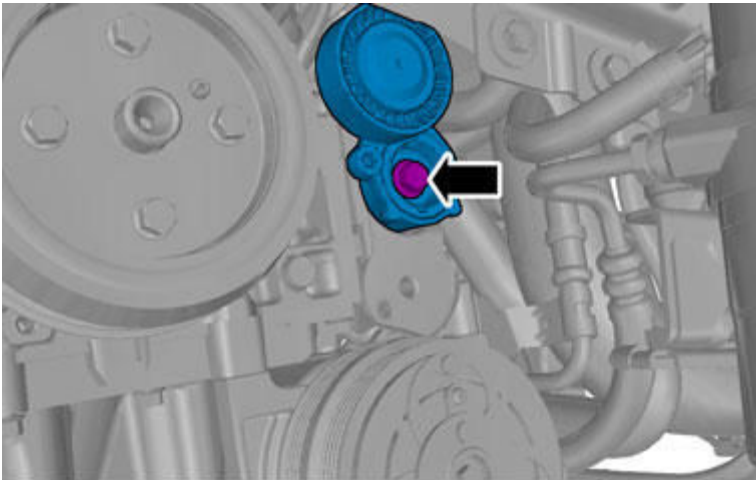


Fig. 8: Removing Tensioner Bolt
Courtesy of VOLVO CARS CORPORATION

INSTALLATION

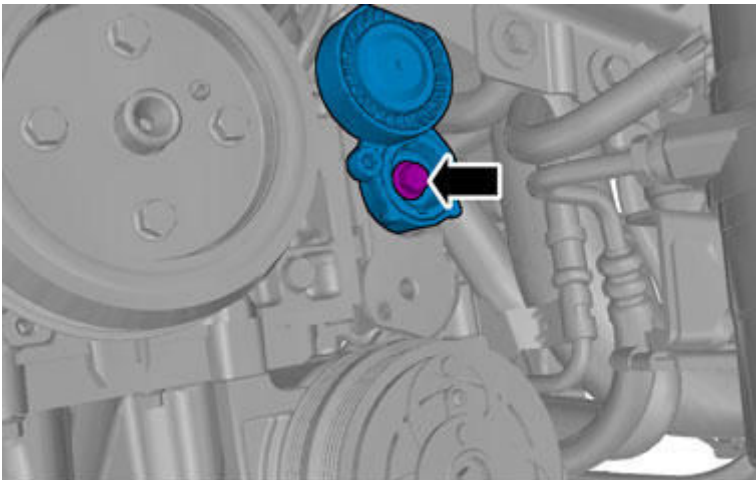


Fig. 9: Removing Tensioner Bolt
Courtesy of VOLVO CARS CORPORATION

Torque: Belt tensioner accessory drive belt

42 Nm

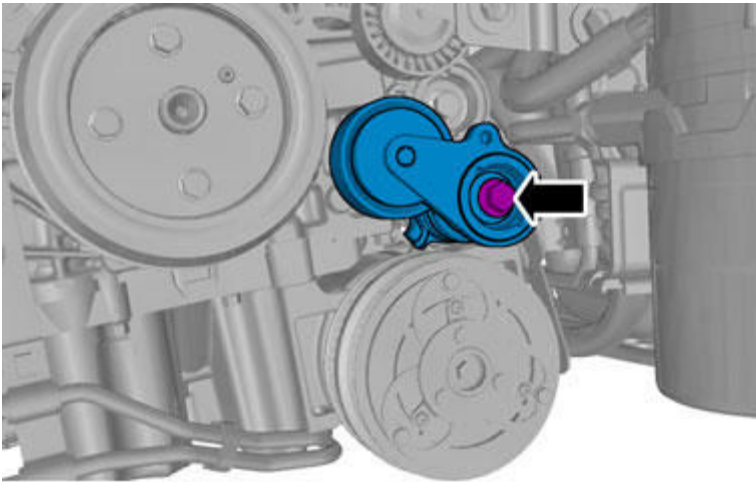


Fig. 10: Removing/Installing Tensioner Bolt
Courtesy of VOLVO CARS CORPORATION

NOTE: Only tighten the bolt finger tight at this stage.

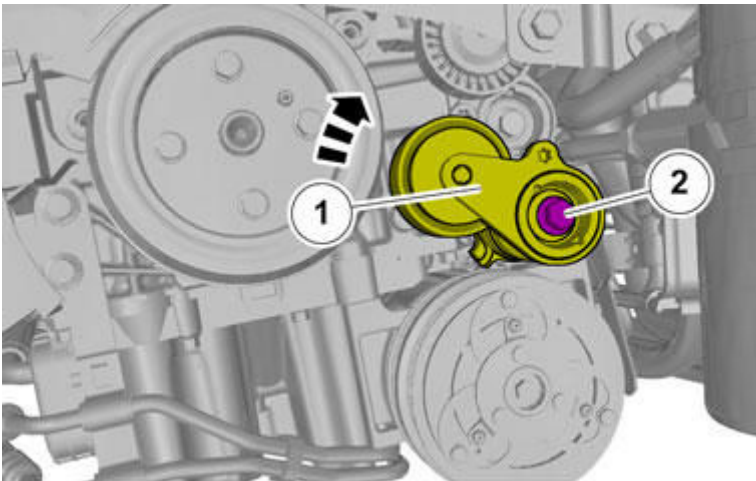


Fig. 11: Installing Tensioner Bolt
Courtesy of VOLVO CARS CORPORATION

1. **Torque:** Belt tensioner accessory drive belt
42 Nm

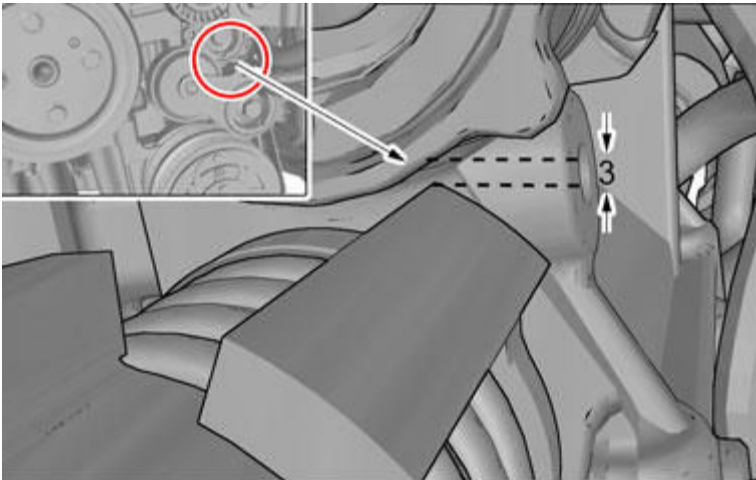


Fig. 12: Identifying Gap at Tensioner
 Courtesy of VOLVO CARS CORPORATION

Install the auxiliaries belt. See ACCESSORY DRIVE BELT

CRANKSHAFT FRONT/REAR SEALS AND CARRIER PLATE (B5254T3 AND B5254T7)

CARRIER PLATE

CARRIER PLATE

NOTE: As the graphics in this service information are used for different model years and/or models, some variation may occur. However, the essential information is always correct.

Special tools:

see 9995112

see 9995678

PREPARATORY WORK

REMOVING THE TRANSMISSION

Remove the transmission according to TRANSMISSION, REMOVING .

REMOVAL

REMOVING THE CARRIER PLATE

Remove the engine speed (RPM) sensor together with the bracket. Place the engine speed (RPM) sensor to one