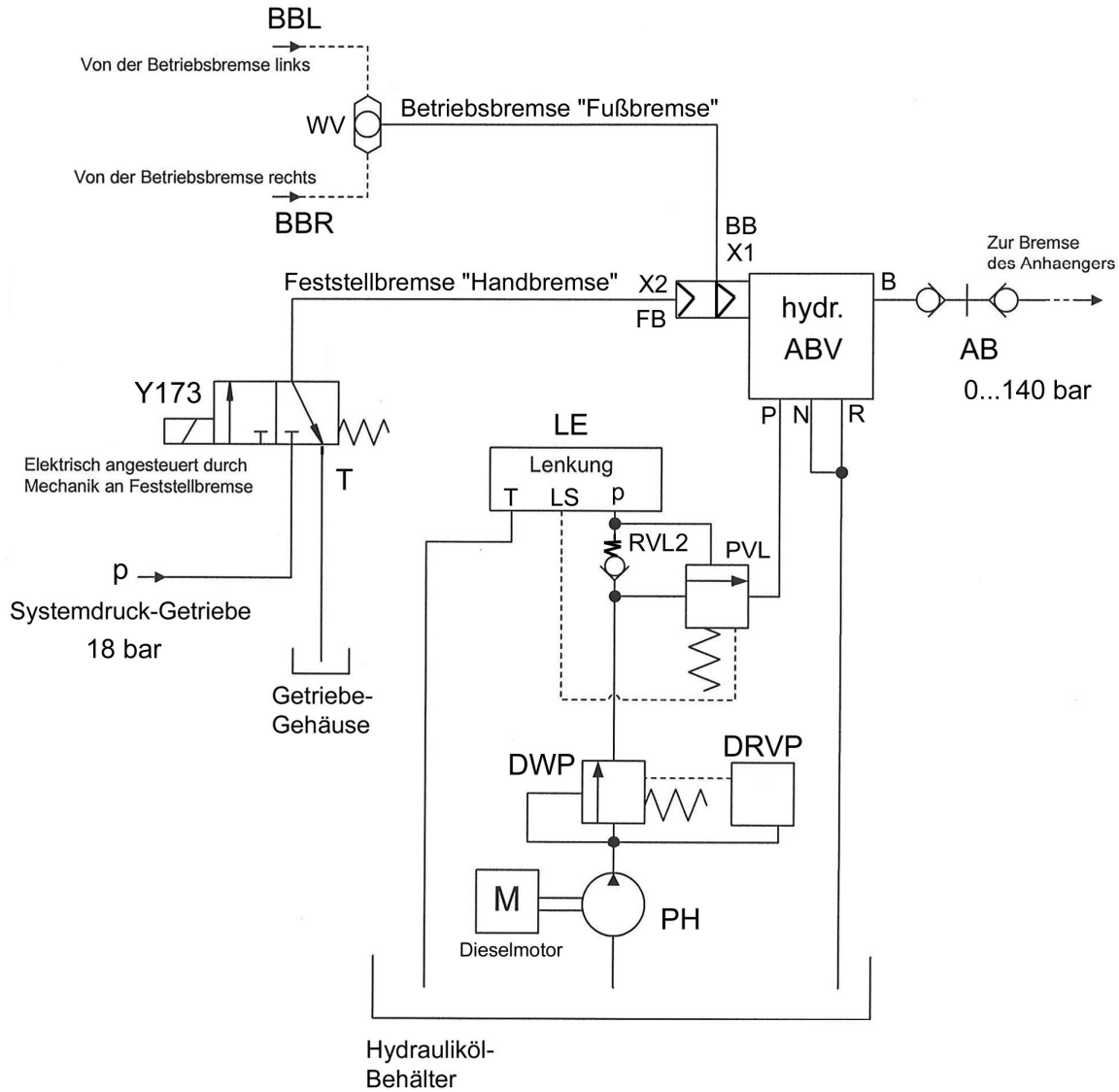


Schema der hydr. Anhängerbremse  
**FENDT 700 Vario SCR**  
 737.950.030.001



EK112788

Fig. 21 Diagram of the FENDT 700 Vario SCR trailer brake

- |          |                              |              |  |
|----------|------------------------------|--------------|--|
| ([PH])   | Auxiliary pump               | ([LE])       | Steering unit                              |
| ([DWP])  | Pilot pressure compensator   | ([hydr ABV]) | Hydraulic trailer brake valve              |
| ([DRVP]) | Pilot pressure control valve | ([AB])       | Hydraulic trailer brake breakaway coupling |
| ([PVL])  | Steering priority valve      | ([Y173])     | Trailer brake release solenoid valve       |
| ([RVL2]) | Steering PH non-return valve |              |  |

- |             |                            |        |                                 |
|-------------|----------------------------|--------|---------------------------------|
| ([WV])      | Shuttle valve              | ([R])  | Return flow                     |
| ([BB (X1)]) | Service brake "foot brake" | ([LS]) | Load sensing pressure           |
| ([FB (X2)]) | Parking brake "hand brake" | ([N])  | Overflow amount                 |
| ([p])       | Oil pressure               | ([B])  | For the hydraulic trailer brake |
| ([T])       | Return flow                |        |                                 |

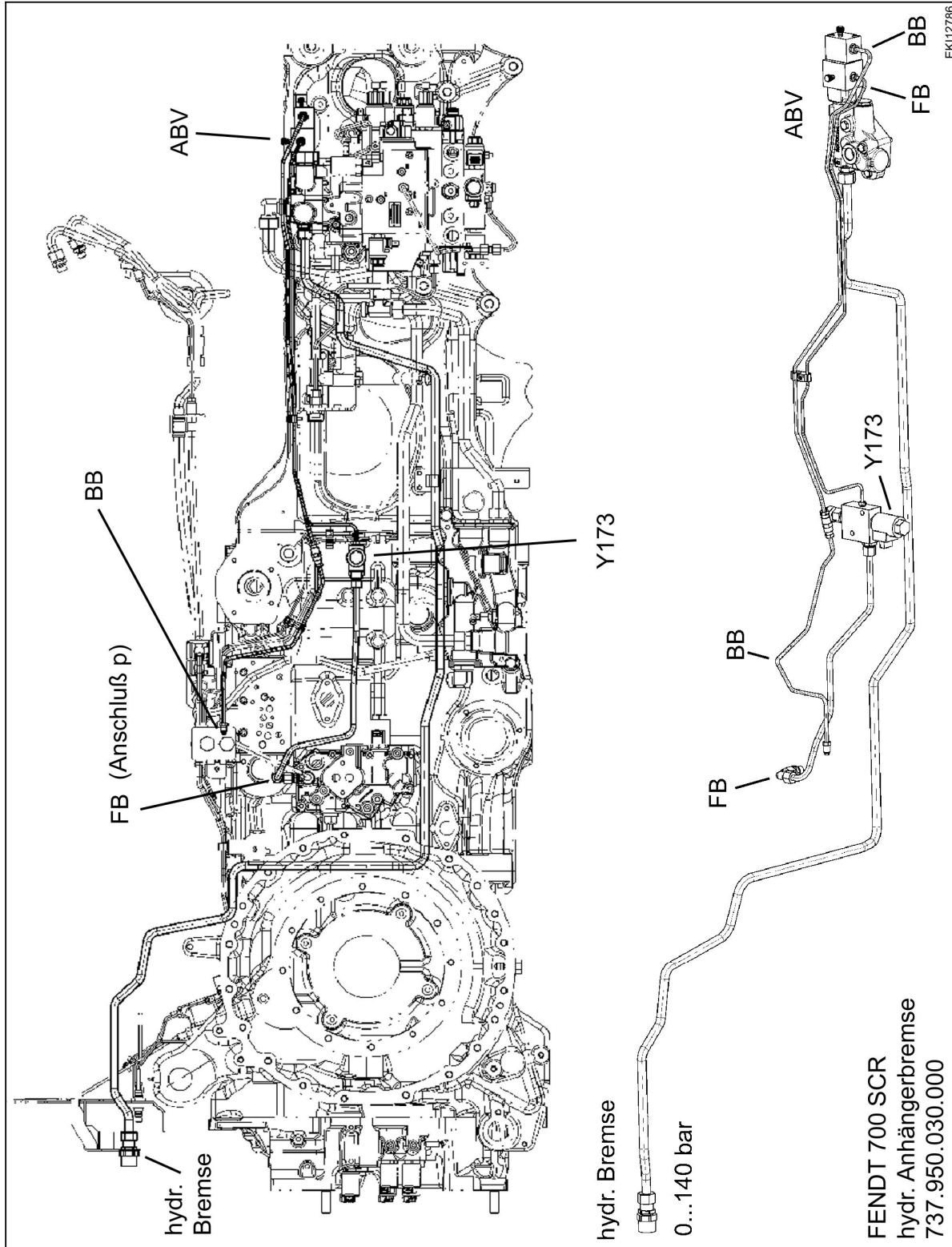


Fig. 22 Piping in the FENDT 700 Vario SCR trailer brake