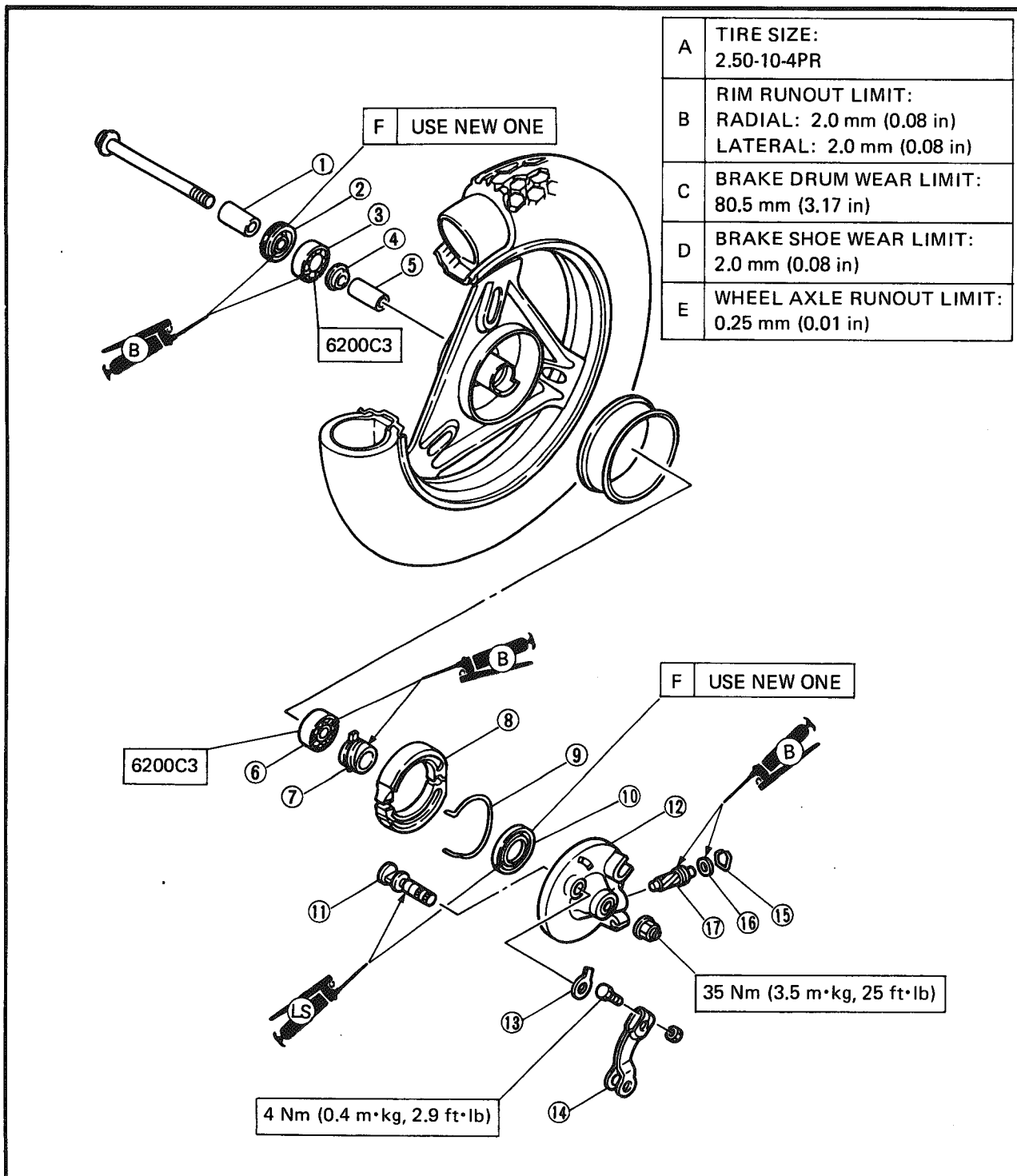
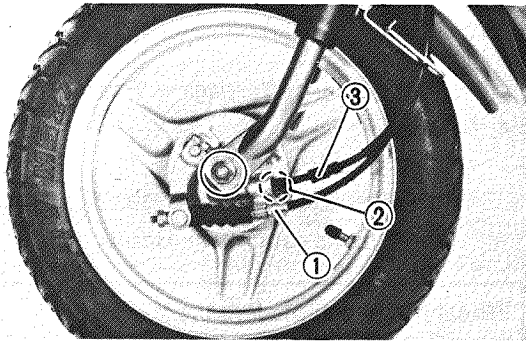


CHASSIS

FRONT WHEEL

- ① Collar
- ② Dust seal
- ③ Bearing
- ④ Spacer (Flange)
- ⑤ Spacer
- ⑥ Bearing
- ⑦ Speedometer drive gear
- ⑧ Brake shoe
- ⑨ Return spring
- ⑩ Dust seal
- ⑪ Brake cam shaft
- ⑫ Brake shoe plate
- ⑬ Wear indicator
- ⑭ Cam shaft lever
- ⑮ Stop ring
- ⑯ Plain washer
- ⑰ Speedometer driven gear

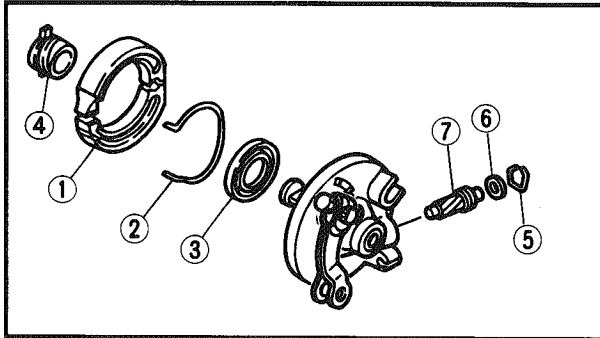


**REMOVAL**

1. Place the scooter on its centerstand.

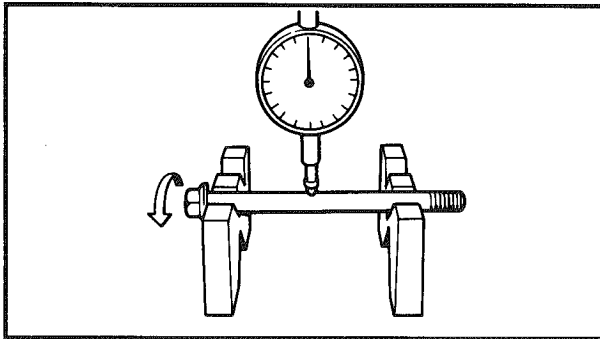
2. Remove:

- Brake cable ①
- Stop ring ②
- Speedometer cable ③
- Nut (Front axle)
- Front wheel
- Brake shoe plate



3. Remove:

- Brake shoe ①
- Return spring ②
- Oil seal ③
- Speedometer drive gear ④
- Stop ring ⑤
- Plain washer ⑥
- Speedometer driven gear ⑦

**INSPECTION**

1. Measure:

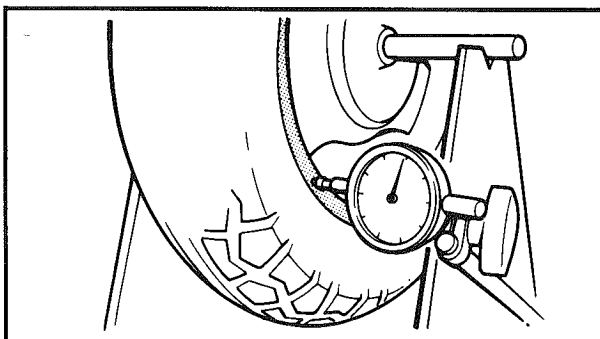
- Wheel axle runout
- Out of specification → Replace.



Wheel Axle Runout Limit:
0.25 mm (0.01 in)

WARNING:

Do not attempt to straighten a bent axle.

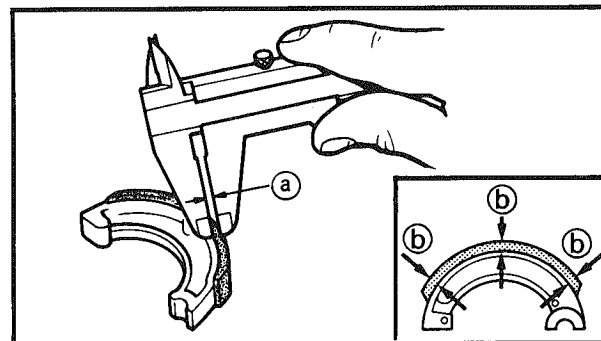
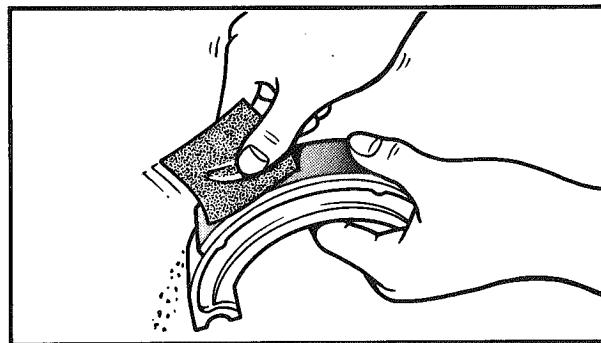
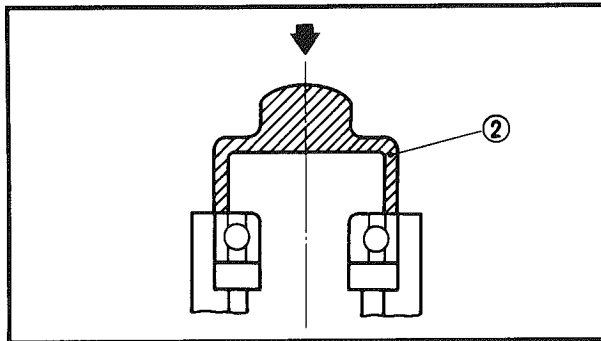
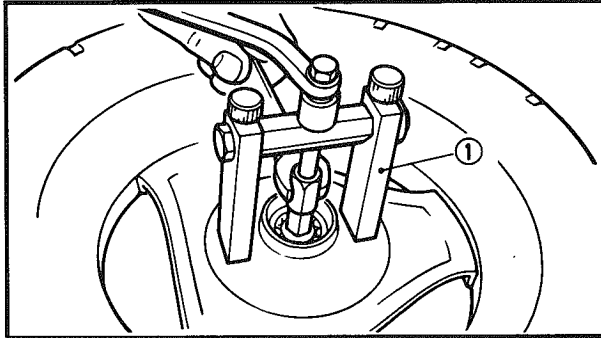
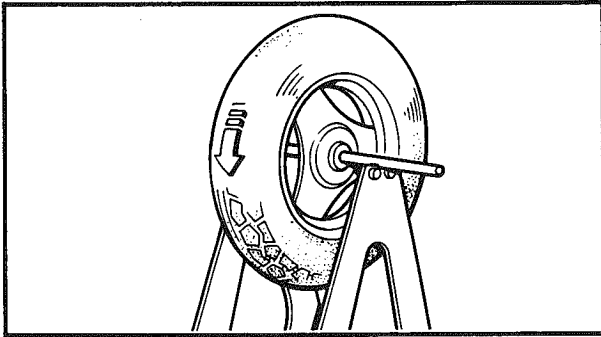


2. Measure:

- Wheel runout
- Out of specification → Replace.



Runout Limit:
Radial: 2.0 mm (0.08 in)
Lateral: 2.0 mm (0.08 in)



3. Inspect:
 - Wheel
Cracks/Bends/Warpage → Replace.
4. Inspect:
 - Wheel bearings
Bearings allow play in the wheel hub or wheel turns roughly → Replace.

Wheel bearing replacement steps:

- Remove the dust seal.
- Clean the out side of the wheel hub.
- Remove the bearing using a general bearing puller ① .
- Install the new bearing.

NOTE: _____
Use a socket ② that matches the outside diameter of the race of the bearing.

CAUTION: _____


Do not strike the inner race of balls of the bearing. Contact should be made only with the outer race.

- Install the dust seal.

5. Inspect:
 - Brake shoes
Glazed parts → Sand with coarse sandpaper.
- NOTE:** _____
After using the sand paper, clean of the polished particles with cloth.

6. Measure:

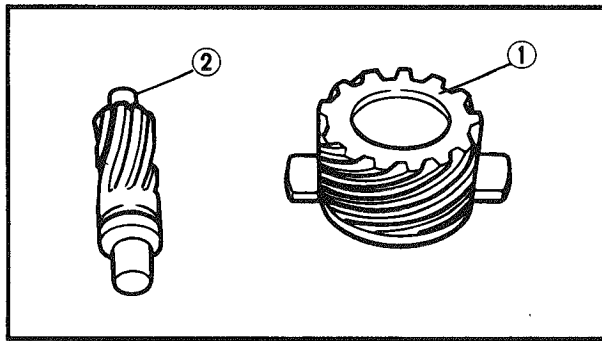
- Brake shoe thickness (a)
Out of specification → Replace.



Brake Shoe Thickness:
Standard: 3.5 mm (0.14 in)
Limit: 2.0 mm (0.08 in)

(b) Measuring point

5



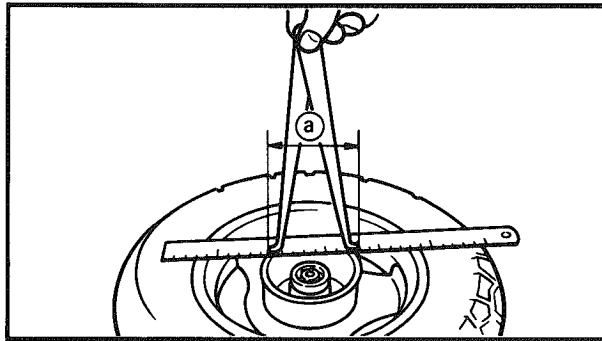
7. Inspect:

- Speedometer drive gear ①
 - Speedometer driven gear ②
- Wear/Damage → Replace.

8. Inspect:

- Brake drum inner surface
- Oil/Scratches → Remove.

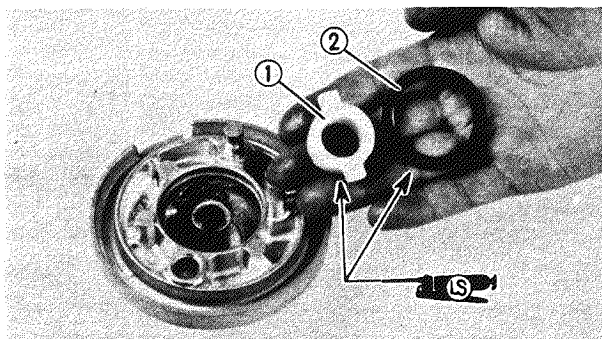
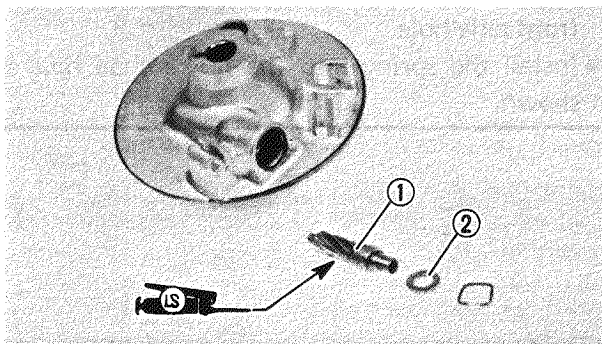
Oil	Use a rag soaked in lacquer thinner or solvent.
Scratches	Use an emery cloth (Lightly and evenly polishing).



9. Measure:

- Brake drum inside diameter (a)
- Out of specification → Replace.

	Brake Drum Wear Limit: 80.5 mm (3.17 in)
---	--



ASSEMBLY

When assembling the brake shoe plate, reverse the removal procedure.

Note the following points.

1. Apply:

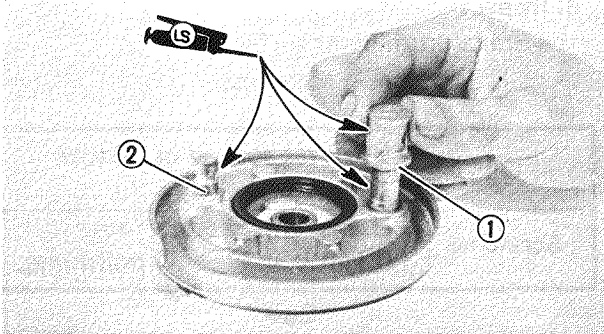
- Lithium-soap base grease
- To speedometer driven gear ① .

2. Apply:

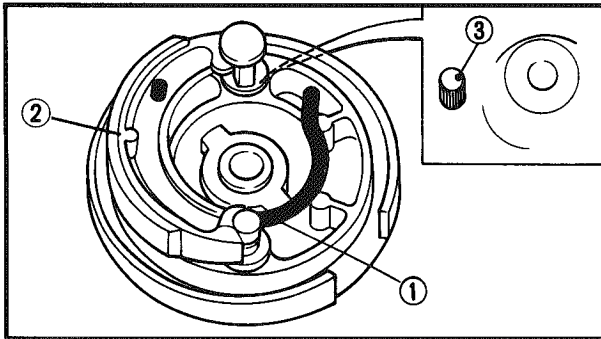
- Lithium-soap base grease
- To speedometer drive gear ① and dust seal ② .

3. Install:
 - Dust seal (New)

NOTE: _____
 Install the dust seal with the manufacturer's marks or numbers facing outward.



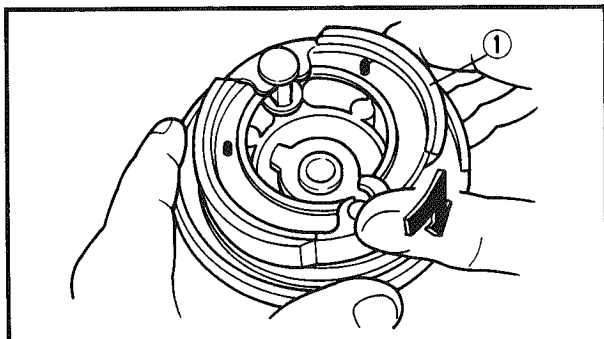
4. Apply:
 - Lithium-soap base grease
 To the brake cam shaft ① and pivot pin ② .



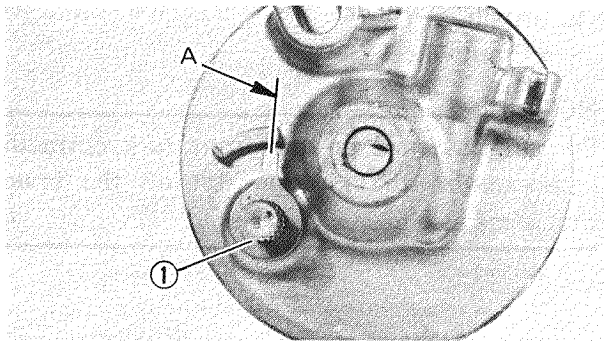
5. Install:
 - Return spring ①
 - Brake shoe (Left) ②

CAUTION: _____
 When installing the brake shoe, take care not to apply grease to the brake shoe.

NOTE: _____
 ● Install with the camshaft mark ③ toward the front axle hole.
 ● Install the spring into the brake shoe hole as shown.

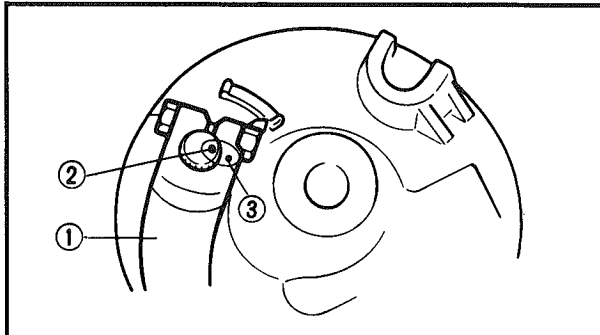


6. Install:
 - Brake shoe ①




7. Install:
- Brake cam shaft
 - Wear indicator ①

NOTE: _____
Align the wear indicator projection with "A" line as shown.



8. Install:
- Cam shaft lever ①

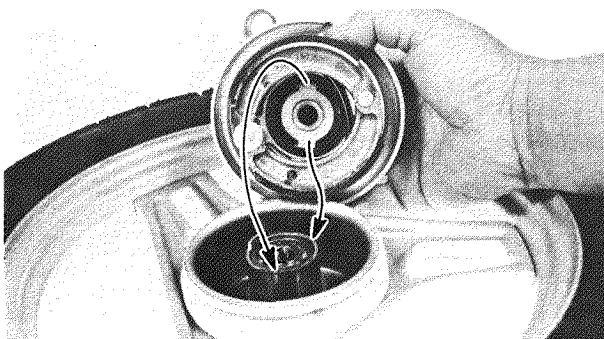
NOTE: _____
Align the cam shaft mark ② with the lever mark ③ as shown.

 **Bolt (Cam Shaft Lever) ① :**
4 Nm (0.4 m·kg, 2.9 ft·lb)

9. Check:
- Brake shoe operation
- Unsmoothly operation → Repair.

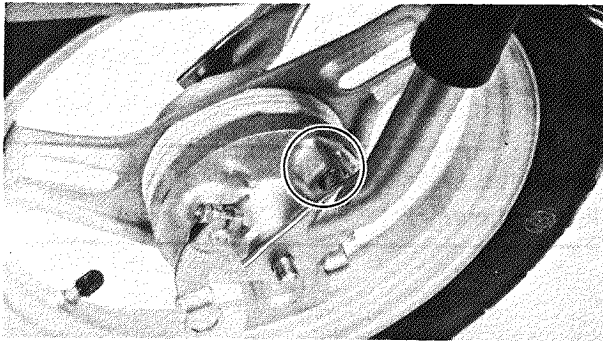
INSTALLATION

When installing the front wheel, reverse the removal procedure.
Note the following points.



1. Install:
- Brake shoe plate

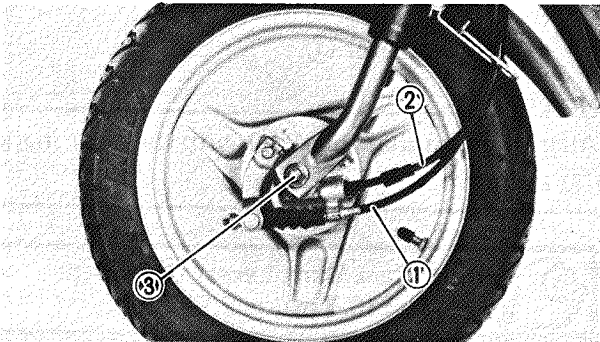
NOTE: _____
Make sure the projections inside the gear unit are meshed with the flats in the wheel hub.



2. Install:
- Front wheel

NOTE: _____

Be sure the boss on the front fork correctly engages with the locating slot on the brake shoe plate assembly.



3. Install:
- Front brake cable ①
 - Speedometer cable ②
 - Nut (Front wheel axle) ③



Nut (Front Wheel Axle):
35 Nm (3.5 m·kg, 25 ft·lb)

4. Adjust
- Front brake lever free play
Refer to "CHAPTER 2 – FRONT BRAKE ADJUSTMENT" section.