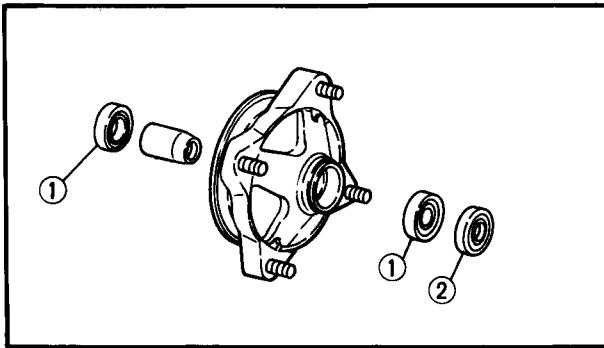


5. Measure:

- Brake drum inside diameter (a)
Out of specification → Replace.

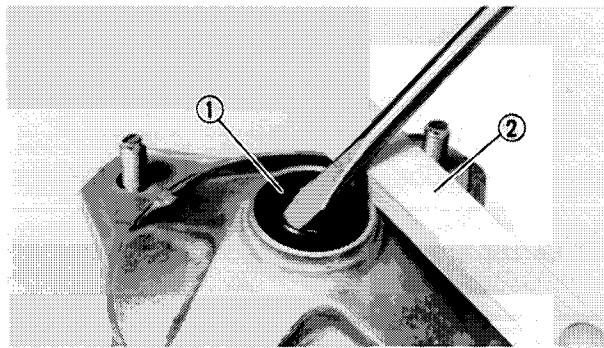


Brake Drum Inside Diameter:
110 mm (4.33 in)
< Wear Limit >:
111 mm (4.37 in)



6. Inspect:

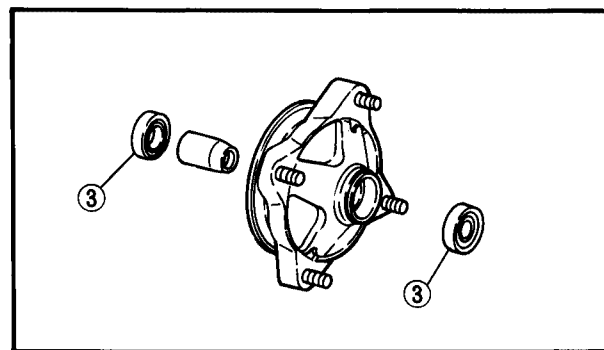
- Bearings (1) (Front wheel hub)
Bearings allow play in the wheel hub or the wheel turns roughly → Replace.
- Oil seal (2)
Wear/Damage → Replace.



Wheel bearing and oil seal replacement steps:

- Clean the outside of the wheel hub.
- Remove the oil seal (1) use a flat-head screw driver.

NOTE: _____
Place a wood block (2) against the outer edge to protect this edge.

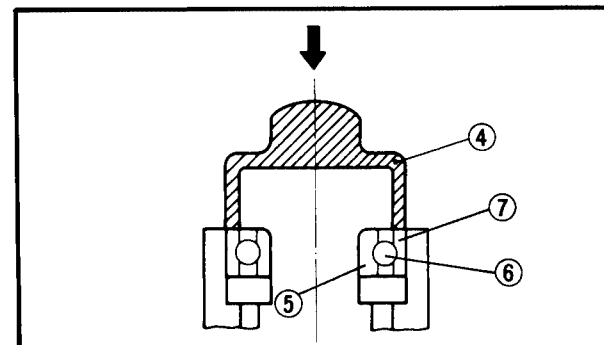


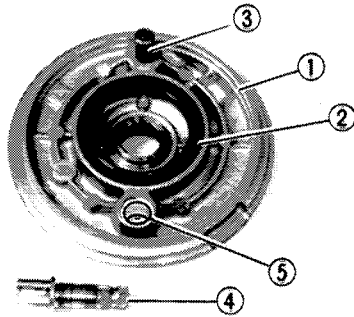
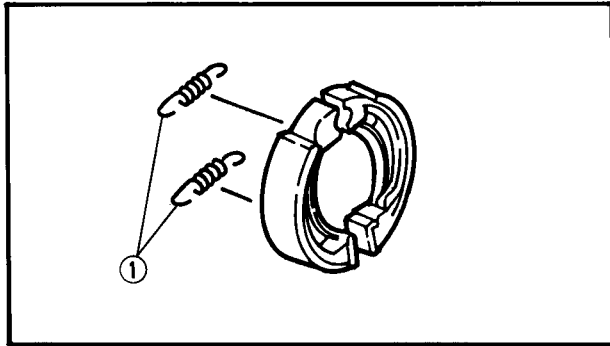
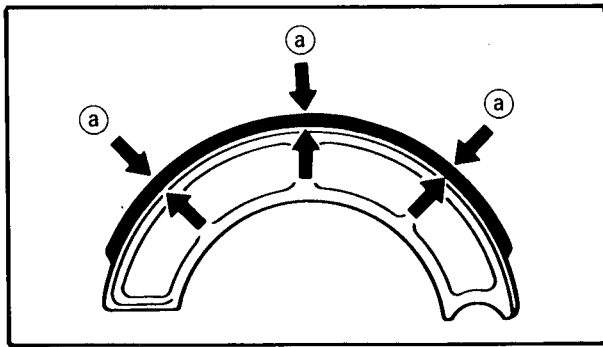
- Remove the bearing (3) using a general bearing puller.
- Install the new bearing and oil seal by reversing the previous steps.

NOTE: _____
Use a socket (4) that matches the outside diameter of the race of the bearing and oil seal.


CAUTION: _____

Do not strike the center race (5) or balls (6) of the bearing. Contact should be made only with the outer race (7).





7. Inspect:
- Brake shoes
Glazed parts → Sand with coarse sand-paper.
8. Measure:
- Brake shoe thickness (a)
Out of specification → Replace.

	Brake Shoe Thickness:
	4.0 mm (0.16 in)
	< Wear Limit > : 2.0 mm (0.08 in)

9. Inspect:
- Shoe springs (1)
Wear/Damage → Replace.

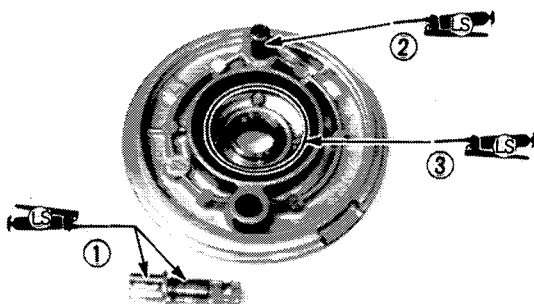
10. Inspect:
- Brake shoe plate (1)
Cracks/Damage → Replace.
 - Oil seal (2)
 - Brake shoe pivot pin (3)
Wear/Damage → Replace.
 - Camshaft (4)
 - Camshaft hole (5)
Scratches/Excessive wear → Replace.

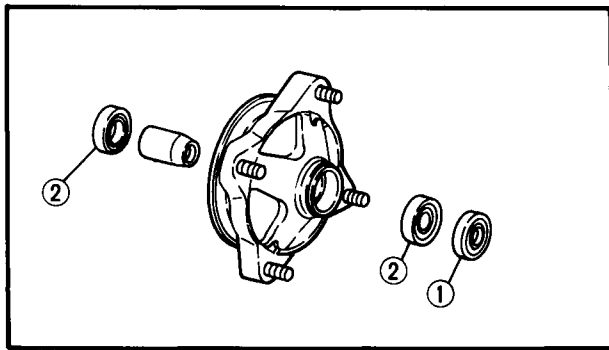
INSTALLATION

Reverse the "REMOVAL" procedures.
Note the following points.

1. Lubricate:
- Brake camshaft (1)
 - Brake shoe pivot pin (2)
 - Oil seal (3) (Brake shoe plate)

	Lightweight Lithium-soap
	Base Grease



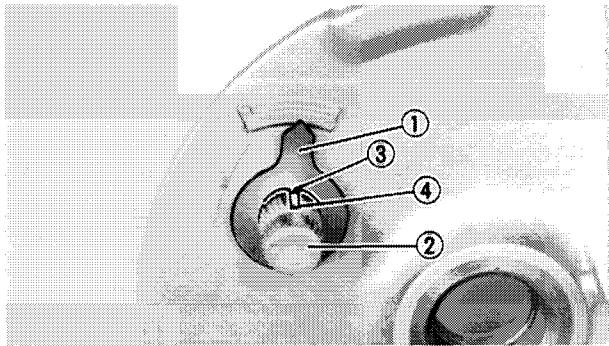


2. Lubricate:

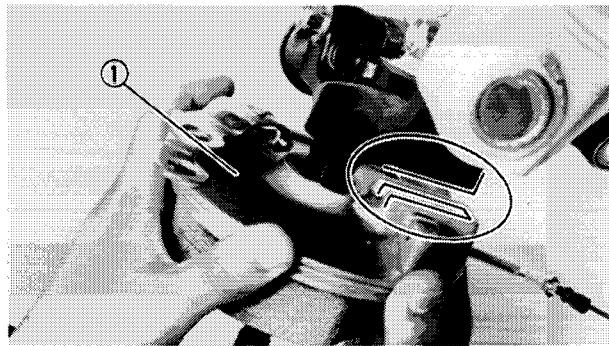
- Oil seal lips ① (Front wheel hub)
- Bearings ② (Front wheel hub)



Lightweight Lithium-soap
Base Grease (Lightly)



3. When installing the wear indicator plate ① to the camshaft ② align the projection ③ on the wear indicator plate with the slot ④ on the camshaft.

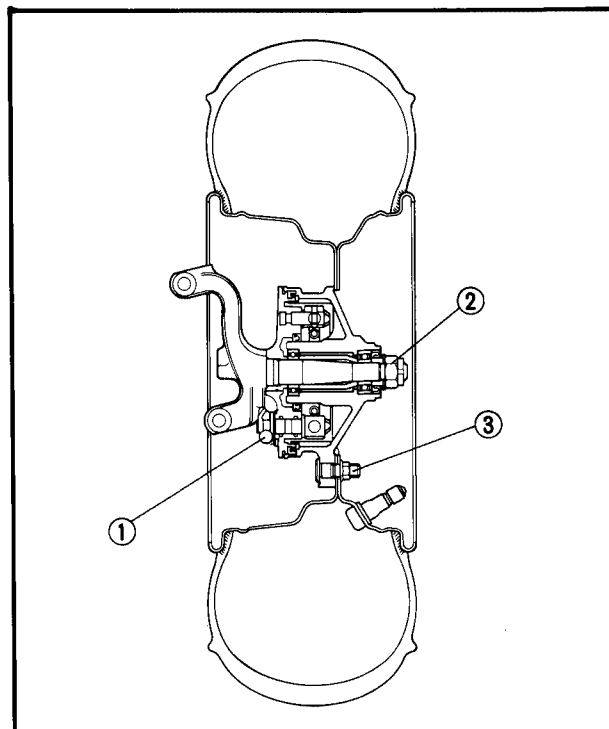


4. Install:

- Brake shoe plate ①

NOTE:

Be sure the boss on the knuckle correctly engages with the locating slot on the brake shoe plate.



5. Tighten:

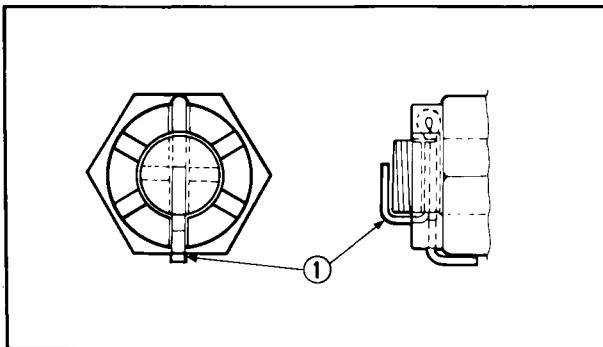
- Bolt ① (Brake cam lever)
- Nut ② (Front wheel hub)
- Nuts ③ (Front wheel)



Bolt (Brake Cam Lever):
9 Nm (0.9 m·kg, 6.5 ft·lb)
Nut (Front Wheel Hub):
70 Nm (7.0 m·kg, 51 ft·lb)
Nut (Front Wheel):
45 Nm (4.5 m·kg, 33 ft·lb)

NOTE:

Thoroughly wipe off the excess grease.



6. Install:

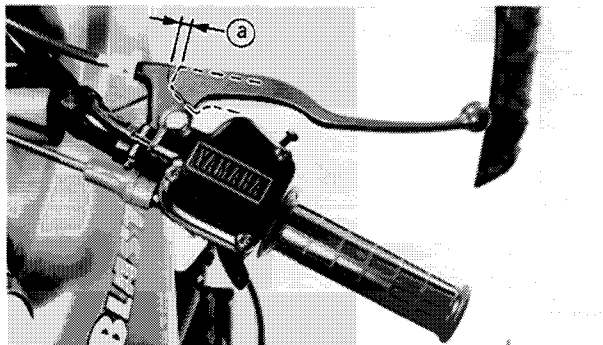
- Cotter pin ① (New)

NOTE:

Do not loosen the wheel hub nut after torque tightening. If the wheel hub nut groove is not aligned with the cotter pin hole, align groove with the hole by tightening up on the wheel hub nut.

⚠ WARNING:

Always use a new cotter pin.



7. Adjust:

- Front brake cable free play ②
Refer to the "FRONT BRAKE ADJUSTMENT" section in the CHAPTER 3.



Brake Cable Free Play:
5 ~ 8 mm (0.20 ~ 0.31 in)

REAR WHEEL AND REAR AXLE

- ① Rear axle
- ② Oil seal
- ③ Bearing
- ④ Spacer
- ⑤ Rear axle hub
- ⑥ Inner collar
- ⑦ Driven sprocket hub
- ⑧ Driven sprocket
- ⑨ Chain tensioner
- ⑩ Lock washer
- ⑪ Drive chain
- ⑫ Rear axle nut (Inner)
- ⑬ Rear axle nut (Outer)
- ⑭ Rear wheel hub
- ⑮ Cotter pin

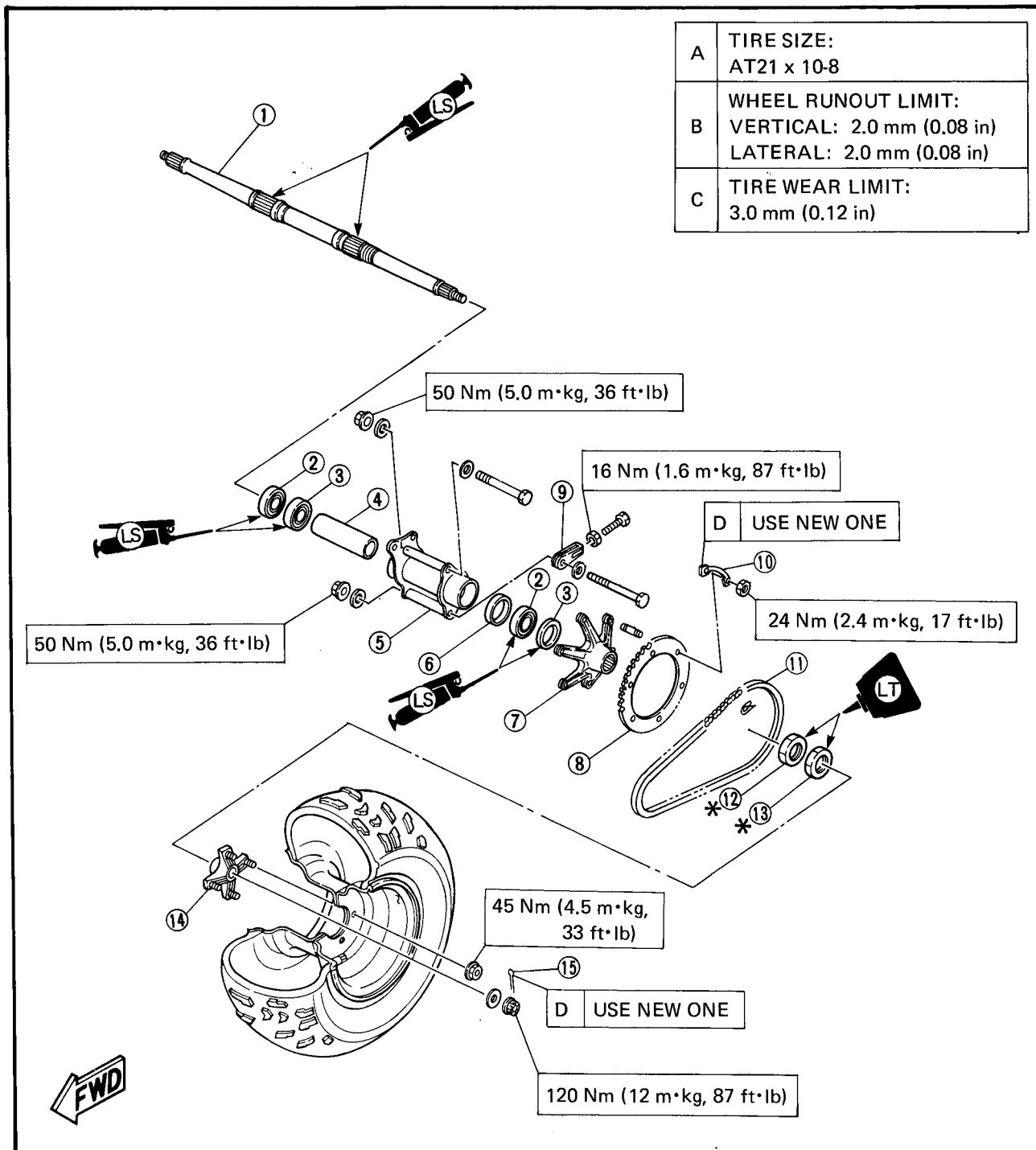
*Rear Axle Nut Tightening Steps:

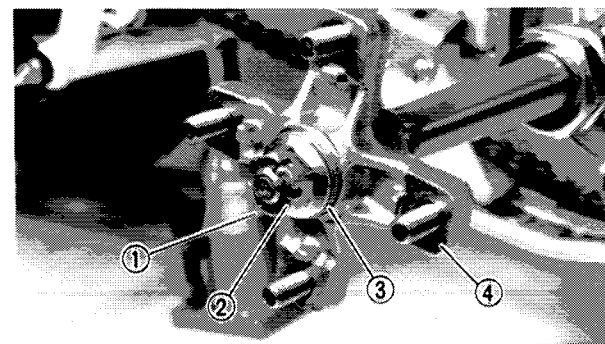
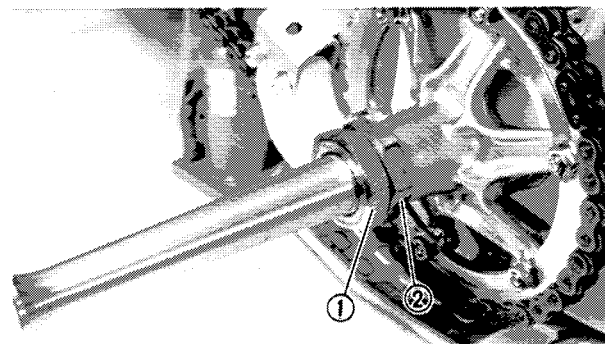
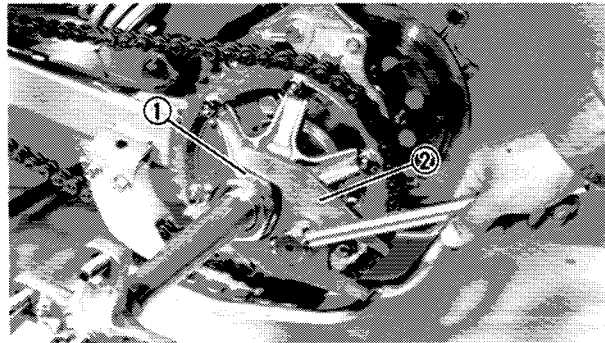
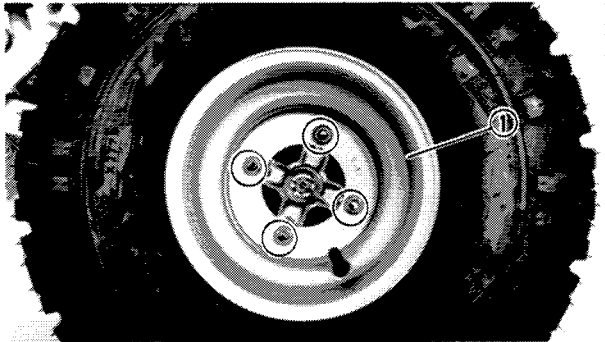
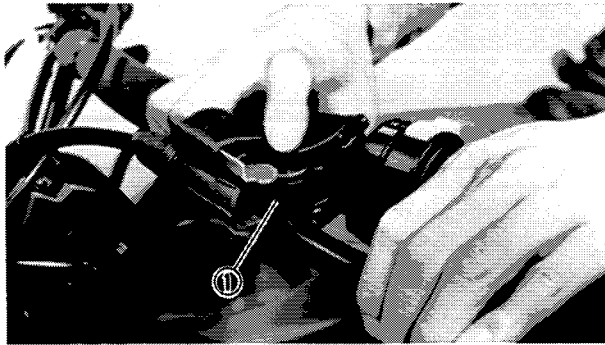
Apply locking agent (LOCTITE®) to rear axle nuts threads.

1st: Tighten the inner rear axle nut.
55 Nm (5.5 m•kg, 40 ft•lb)

2nd: Tighten the outer rear axle nut while holding the inner rear axle nut.
190 Nm (19.0 m•kg, 140 ft•lb)

3rd: Loosen the inner rear axle nut while holding the outer rear axle nut.
240 Nm (24.0 m•kg, 170 ft•lb)






REMOVAL


1. Place the machine on a level place.
2. Apply the parking brake ① .

3. Loosen:
 - Nuts (Rear wheel)
4. Elevate the rear wheels by placing the suitable stand under the rear of frame.
5. Remove:
 - Rear wheels ①

6. Tighten:
 - Nut ① (Rear axle – Inner)
 Give 1/8 clockwise turn using the nut wrench ② .

	<p>Nut Wrench: P/N. YM-37132 P/N. 90890-01419</p>
---	--

7. Loosen:
 - Nut ① (Rear axle – Outer)
 - Nut ② (Rear axle – Inner)
 Use the Nut Wrench.

	<p>Nut Wrench: P/N. YM-37132 P/N. 90890-01419</p>
---	--

8. Remove:
 - Cotter pin ①
 - Nut ② (Wheel hub)
 - Plate washer ③
 - Wheel hub ④

6