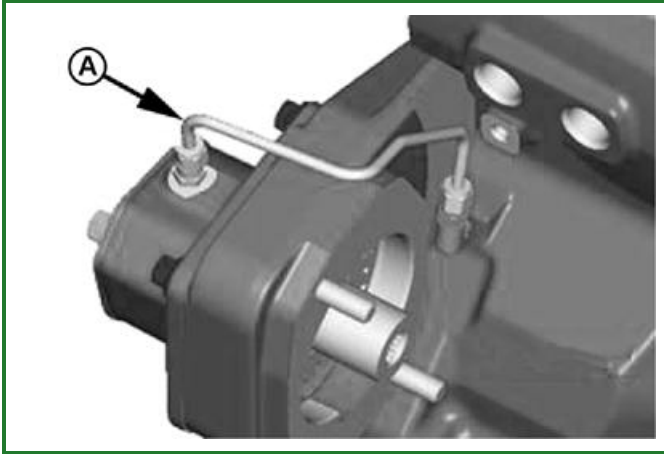
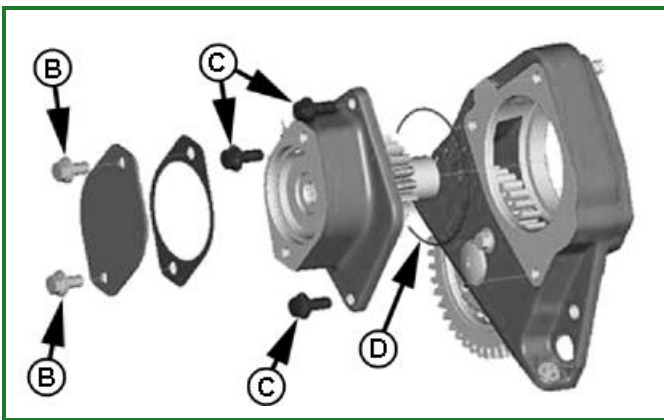


## Remove Left-Hand Output Gear Assembly

1.



RG14354-UN: Remove Oil Line



RG14355-UN: Remove Output Gear Assembly

**LEGEND:**

- A - Oil Line
- B - Cover Plate to Front Housing Capscrews
- C - Front Housing to Drive Housing Capscrews
- D - O-ring

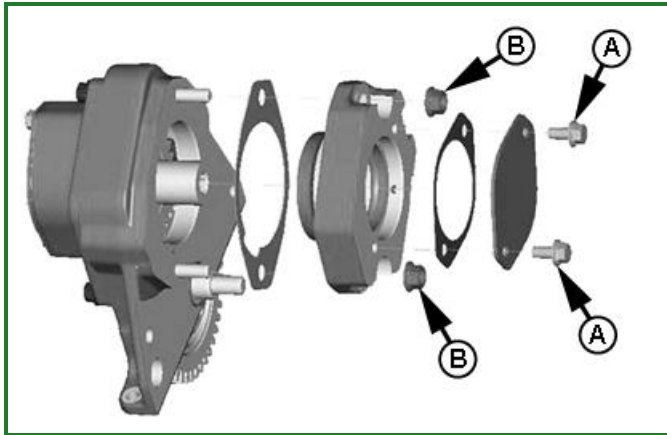
Remove oil line (A).

2. Remove two cover plate to front housing capscrews (B). Remove cover plate and discard gasket.
3. Remove three front housing to drive housing capscrews (C). Remove front housing and remove O-ring (D) from housing.

OURGP12,0000174-19-20051109

## Remove Left-Hand Rear Housing

1.



### RG14356-UN: Remove Rear Housing

#### **LEGEND:**

A - Cover Plate to Rear Housing Capscrews

B - Rear Housing to Drive Housing Nuts

Remove two cover plate to rear housing capscrews (A). Remove cover plate and discard gasket.

2. Remove two rear housing to drive housing nuts (B). Remove rear housing. Remove and discard gasket.

OURGP12,0000175-19-20051109