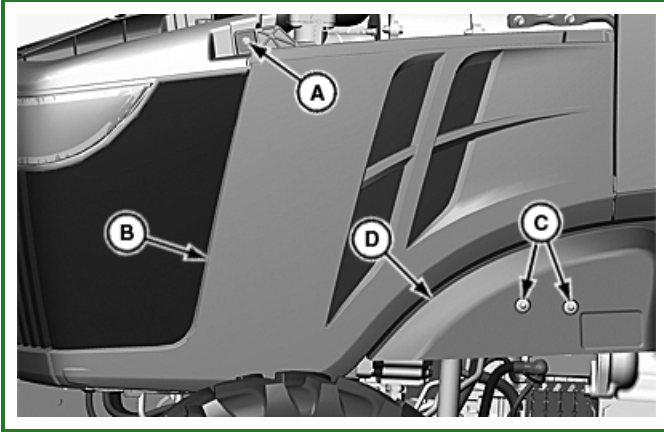


Side Panel Removal and Installation

Removal



LV20978-UN: Left Side Shown; Right Side Is Similar

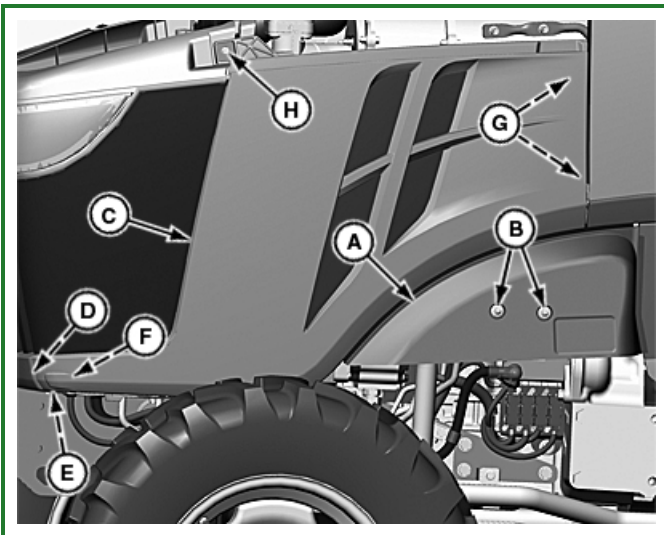
LEGEND:

A - Cap Screw

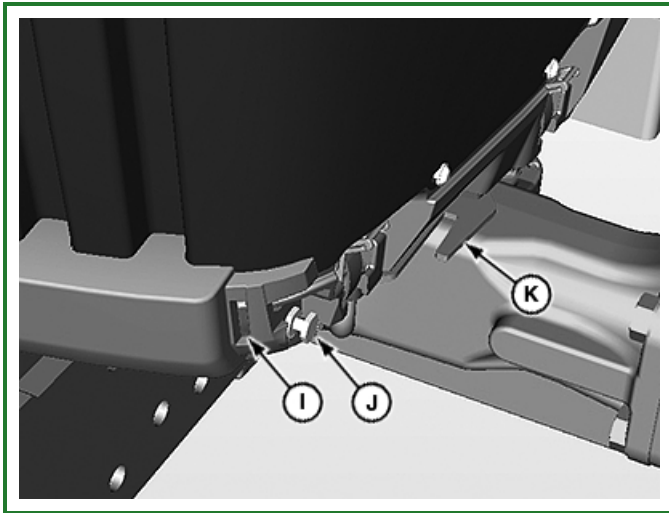
B - Side Panel

1. Park machine safely. (See Parking Safely in the Safety section.)
2. Raise hood.
3. Remove cap screw (A) and nut.
4. Tilt side panel (B) away from machine and slide forward.

Installation



LV20979-UN: Installing Side Panel



LV20980-UN: Alignment Tabs

LEGEND:

- A - Side Panel
- B - Front Mounting Tab
- C - Mounting Hook
- D - Mounting Tab
- E - Alignment Pins
- F - Cap Screw
- G - Front Mounting Slot
- H - Mounting Pin
- I - Mounting Hook

1. Align the side panel (A) front mounting tab (B) with front mounting slot (G), align mounting hook (C) with mounting pin (H), and align mounting tab (D) with mounting hook (I) on machine.
2. Slide side panel back while aligning holes on rear of panel with alignment pins (E).
3. Install cap screw (F) and nut.
4. Lower hood.

KN52281,1004BE6-19-20140314